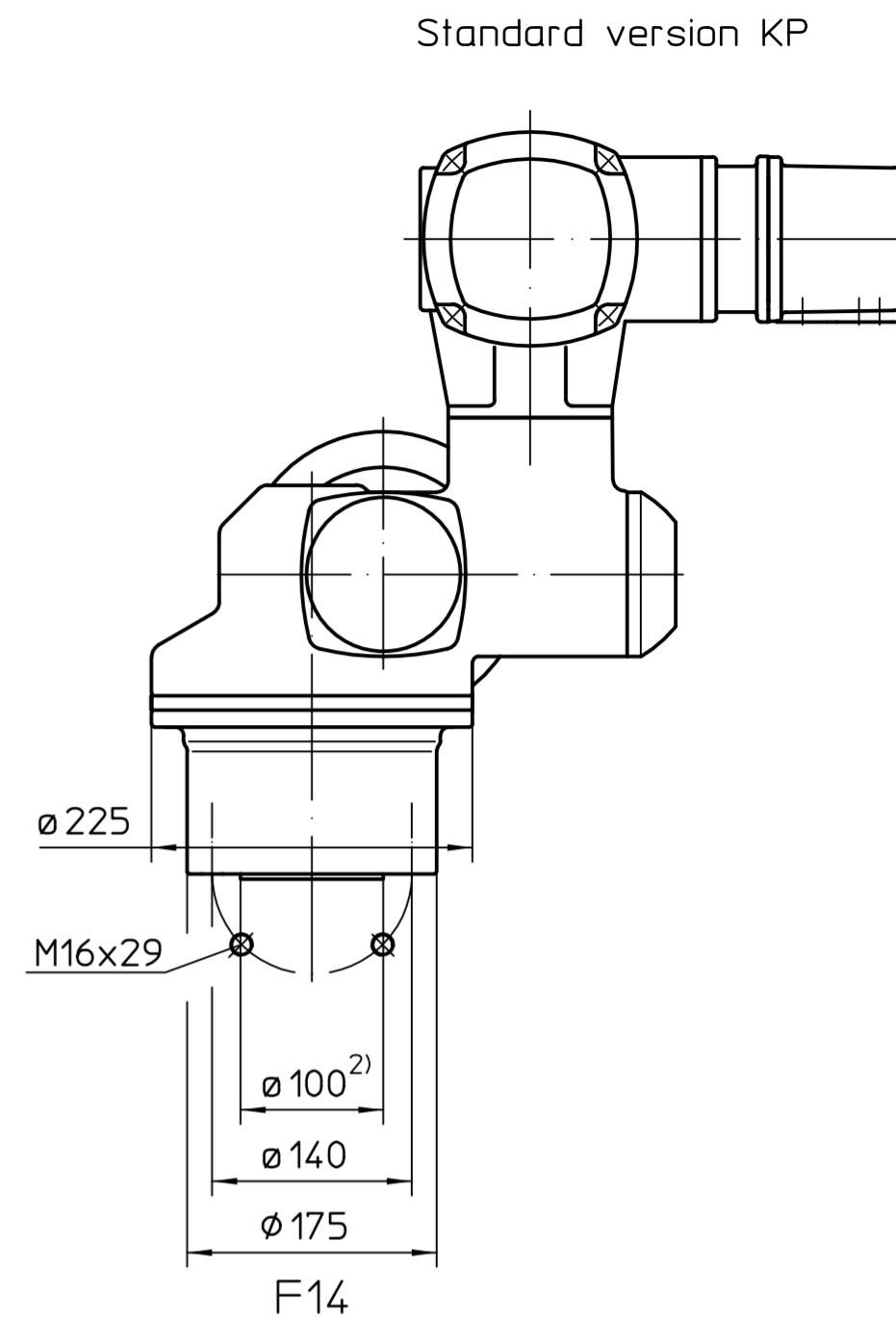
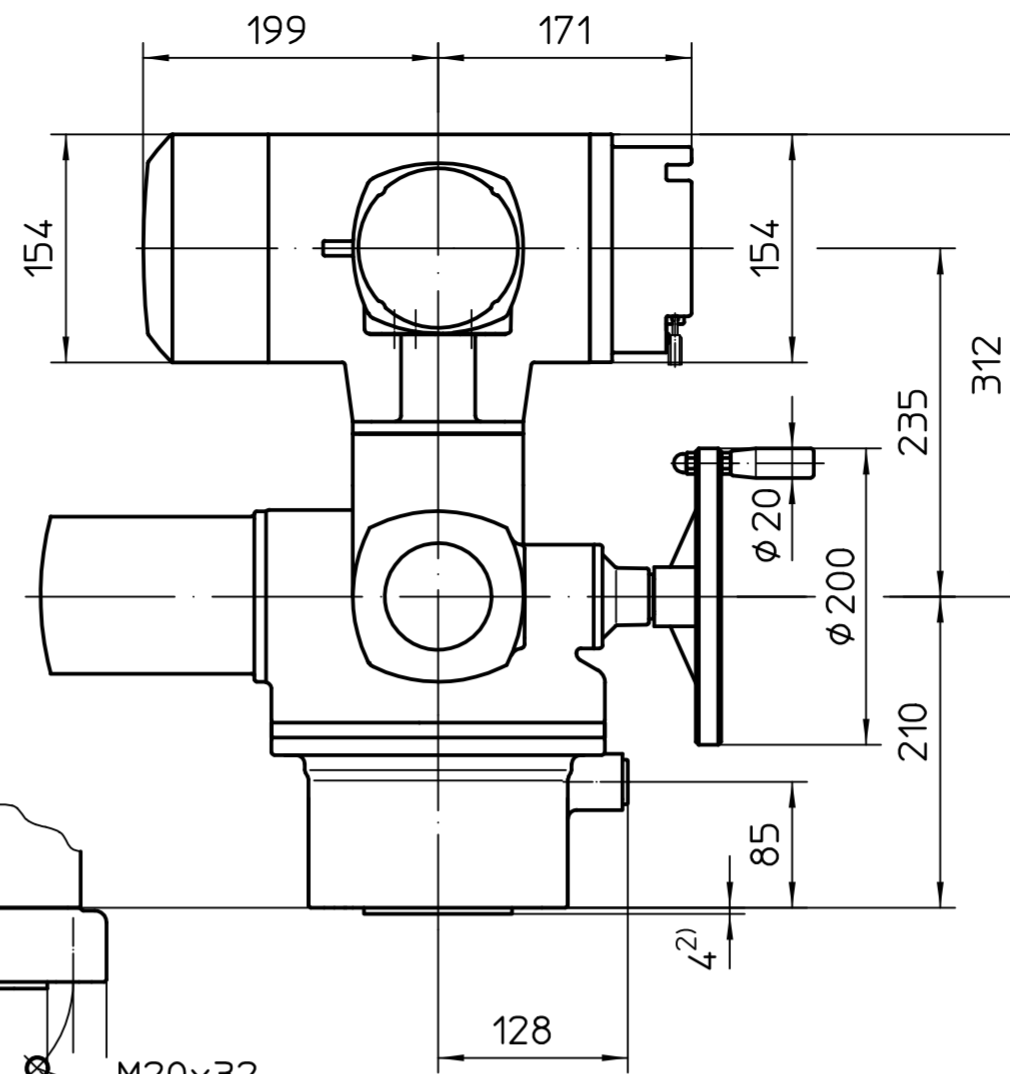
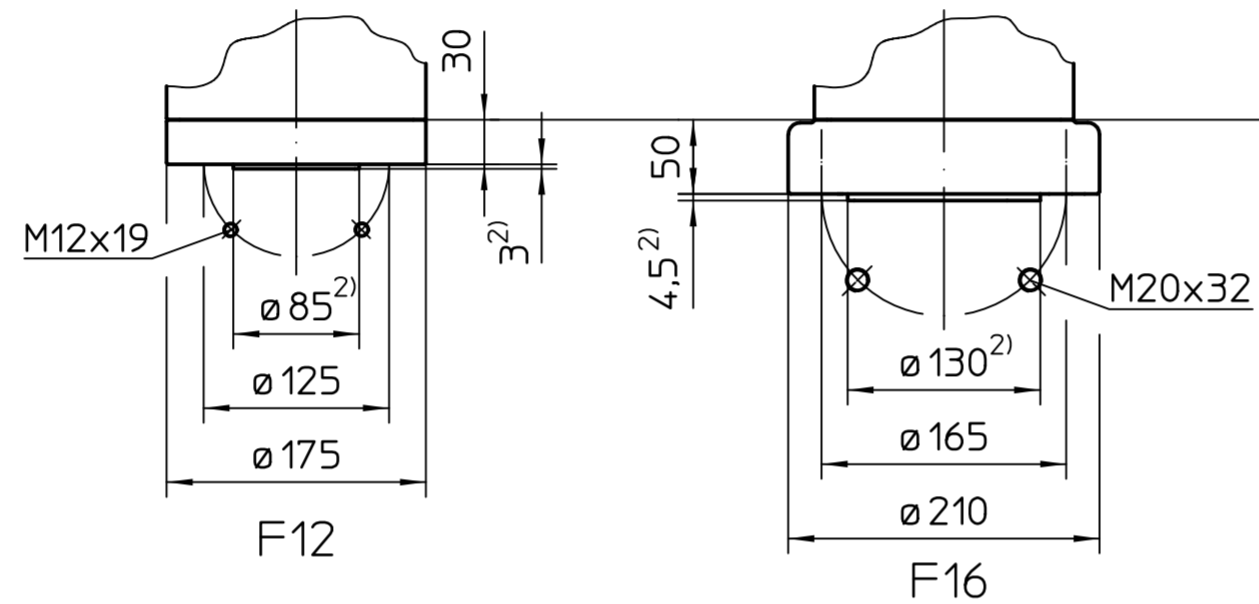
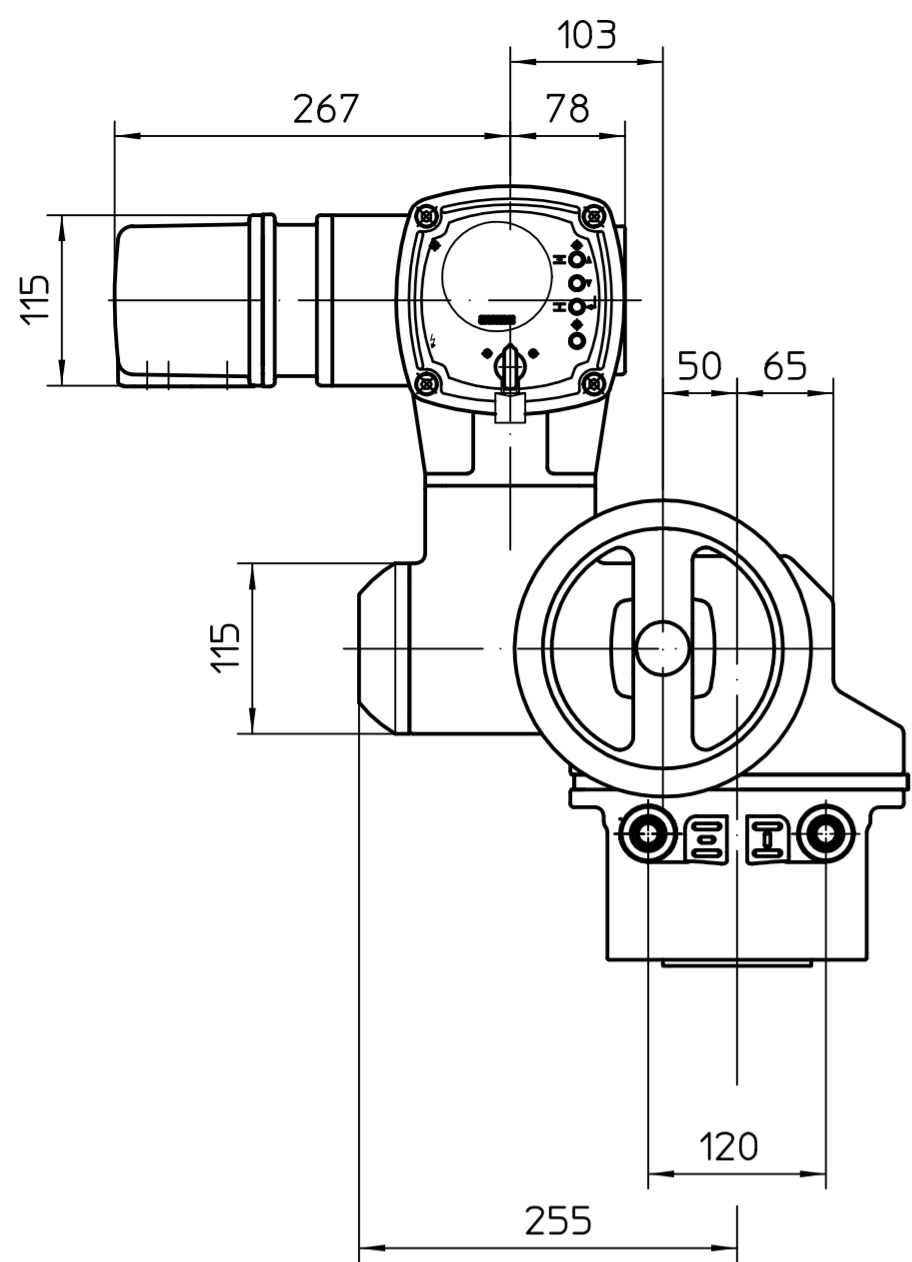
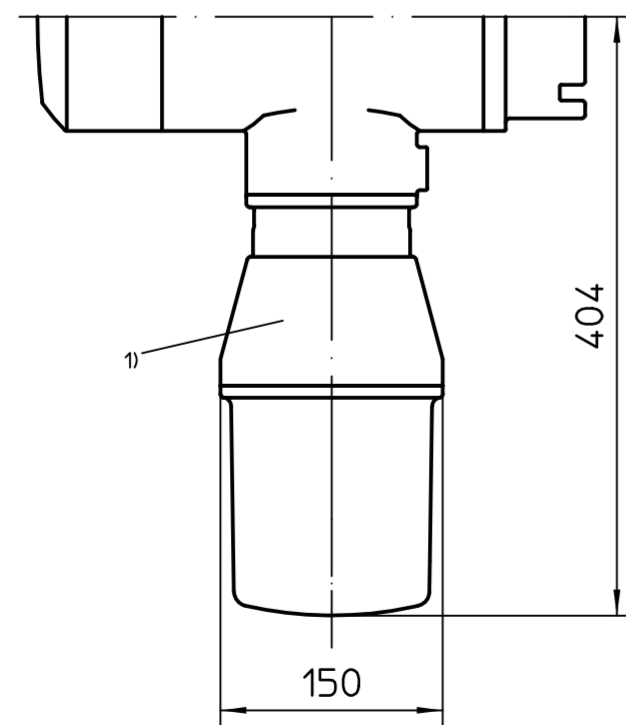


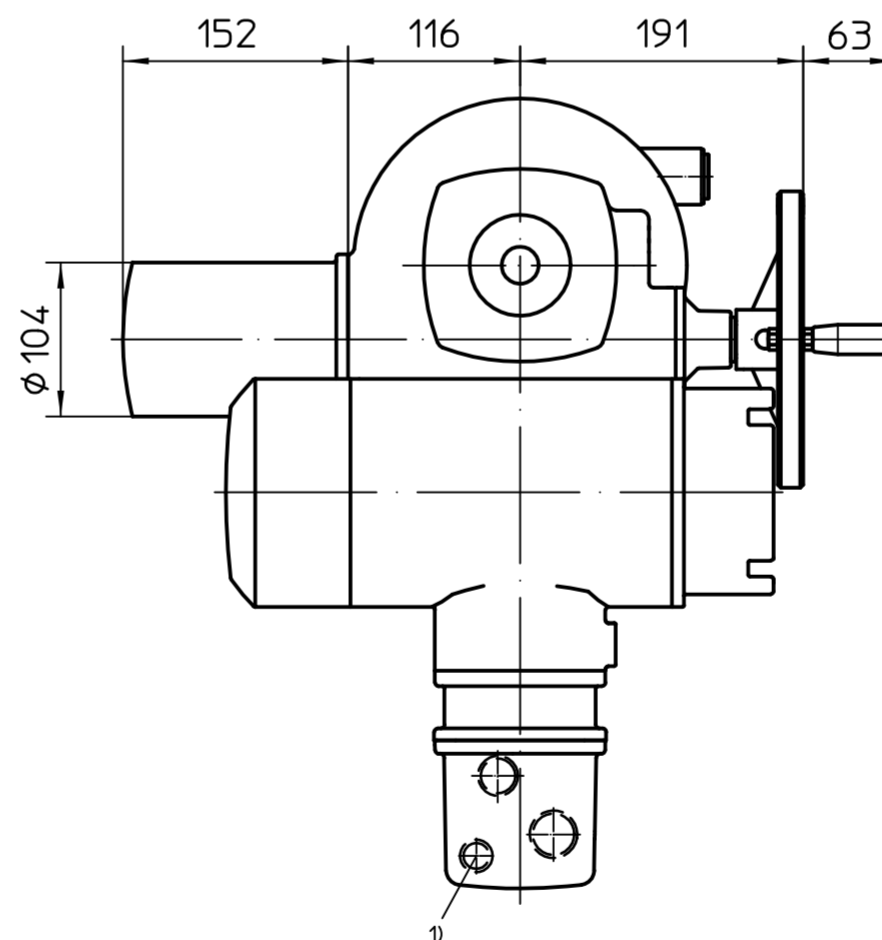
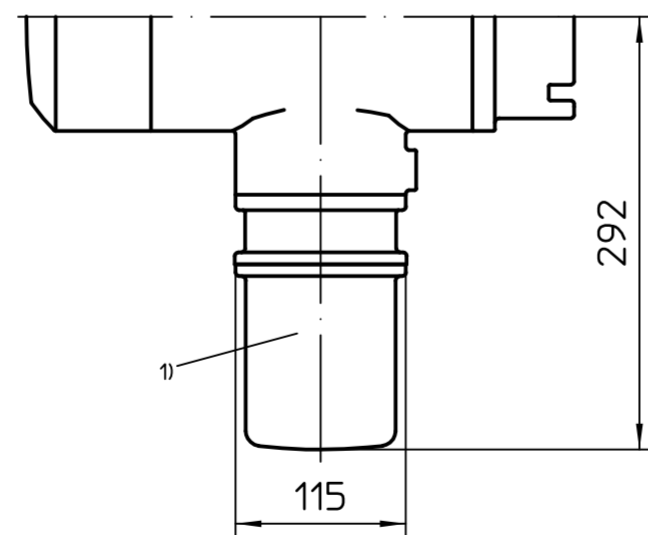
This drawing is subject to the provisions on copyright protection.



Version KES




Version KPH



1) Thread for cable entries acc. to order acknowledgement or technical data sheet

2) Only for version with spigot  
Standard without spigot: F12, F14, F16  
Option with spigot: F12, F14, F16

All dimensions in mm  
For all other dimensions of actuators/gearboxes, refer to the latest dimension sheet issue

|       |          |            |      |  |         |   |  |      |   |     |   |
|-------|----------|------------|------|--|---------|---|--|------|---|-----|---|
|       |          |            |      | Scale  |         | <br>AUMA Riester GmbH & Co. KG |  |      |   |     |   |
|       |          |            |      | 1:5  |         |   |  |      |   |     |   |
|       |          |            |      | Date   | Name    |   |  |      |   |     |   |
|       |          |            |      | Edited 2019-05-06  | Goltsev |   |  |      |   |     |   |
|       |          |            |      | Checked 2019-05-28   | Mayer   | SQ(R)Ex14.2-AC2   |  |      |   |     |   |
|       |          |            |      | Ret. 2019-05-29  | Goltsev |   |  |      |   |     |   |
|       |          |            |      | AUMA Riester GmbH & Co. KG   |         |   |  |      |   |     |   |
|       |          |            |      | P.O. Box 1362  |         |   |  |      |   |     |   |
|       |          |            |      | 79373 Muellheim/Germany  |         |   |  |      |   |     |   |
|       |          |            |      | Tel. +49 7631 809-0  |         |   |  |      |   |     |   |
|       |          |            |      | Fax +49 7631 13218   |         |   |  |      |   |     |   |
| 03    | 259/2019 | 2019-05-06 | Gol  | U2.4174 <table border="1" style="float: right;"> <tr> <td>Page</td> <td>1</td> </tr> <tr> <td>Qty</td> <td>1</td> </tr> </table> |         |   |  | Page | 1 | Qty | 1 |
| Page  | 1        |            |      |  |         |   |  |      |   |     |   |
| Qty   | 1        |            |      |  |         |   |  |      |   |     |   |
| 02    | 633/2016 | 2016-09-06 | Duf  |  |         |   |  |      |   |     |   |
| 01    | 908/2015 | 2015-12-17 | Gol  |  |         |   |  |      |   |     |   |
| State | Revision | Date       | Name |  |         |   |  |      |   |     |   |