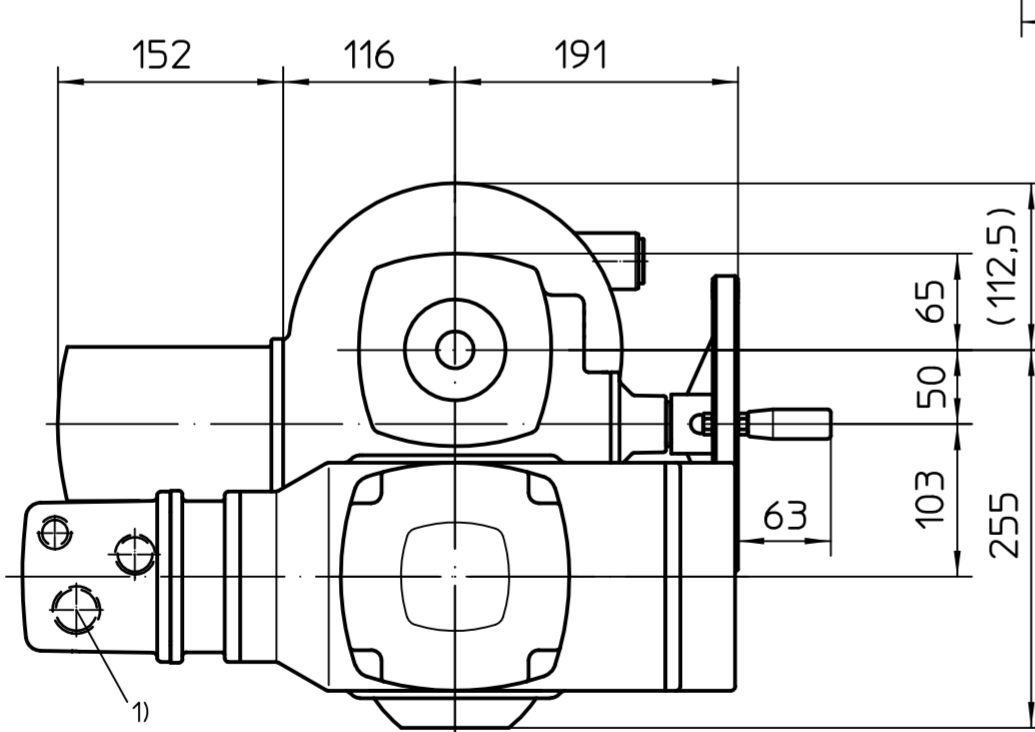
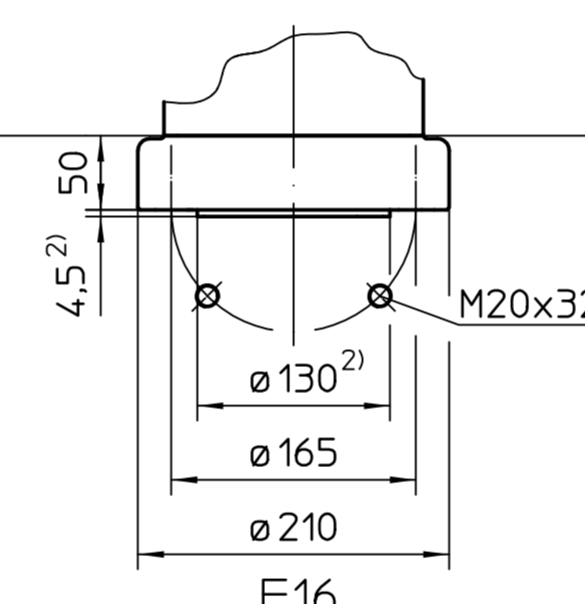
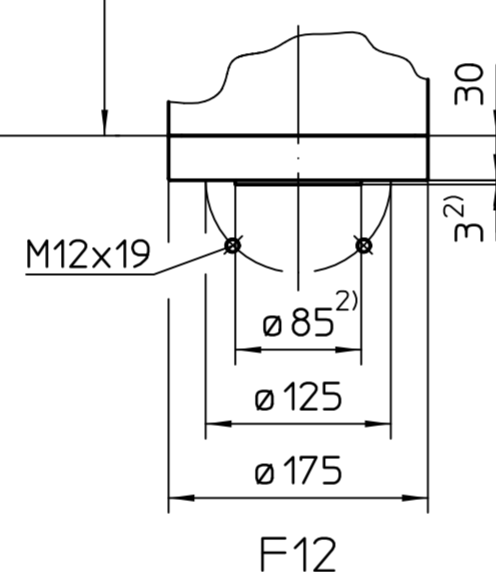
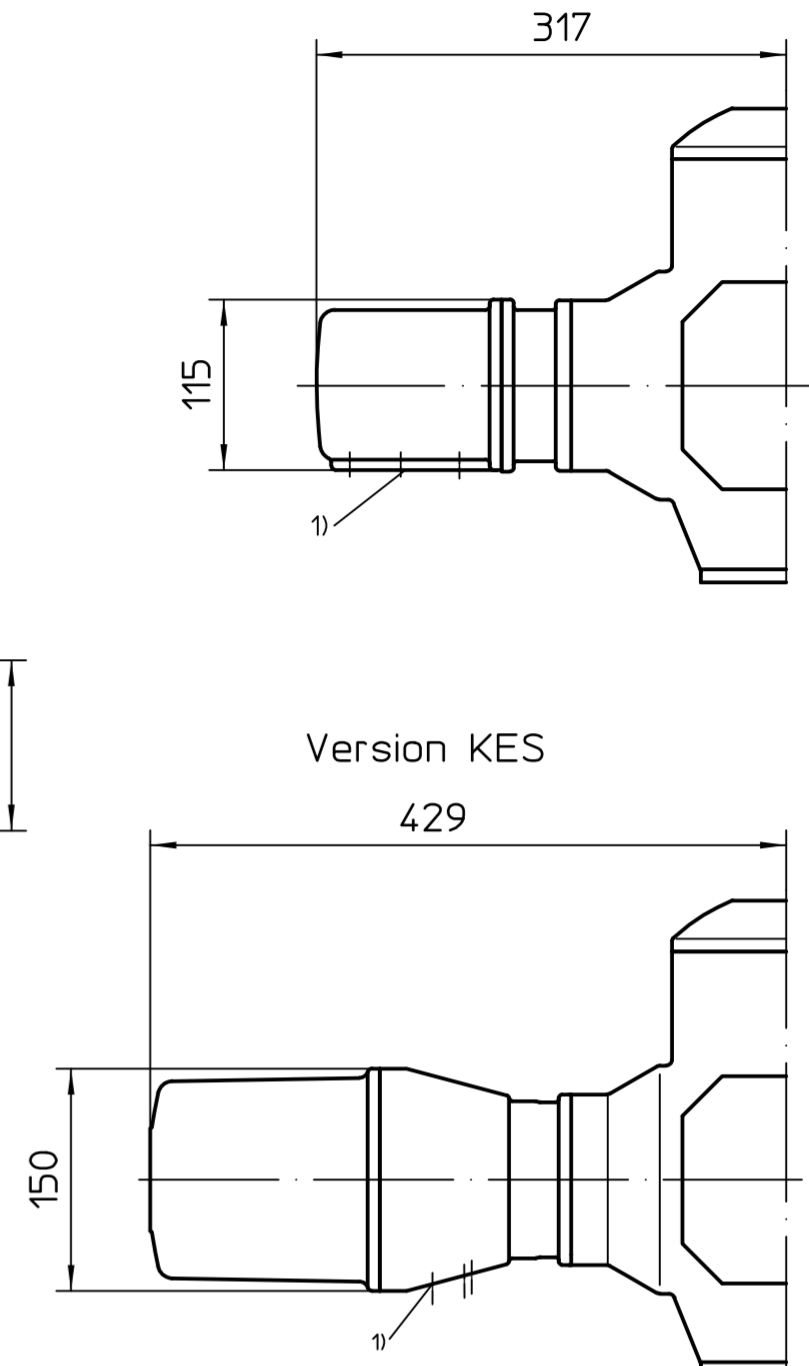
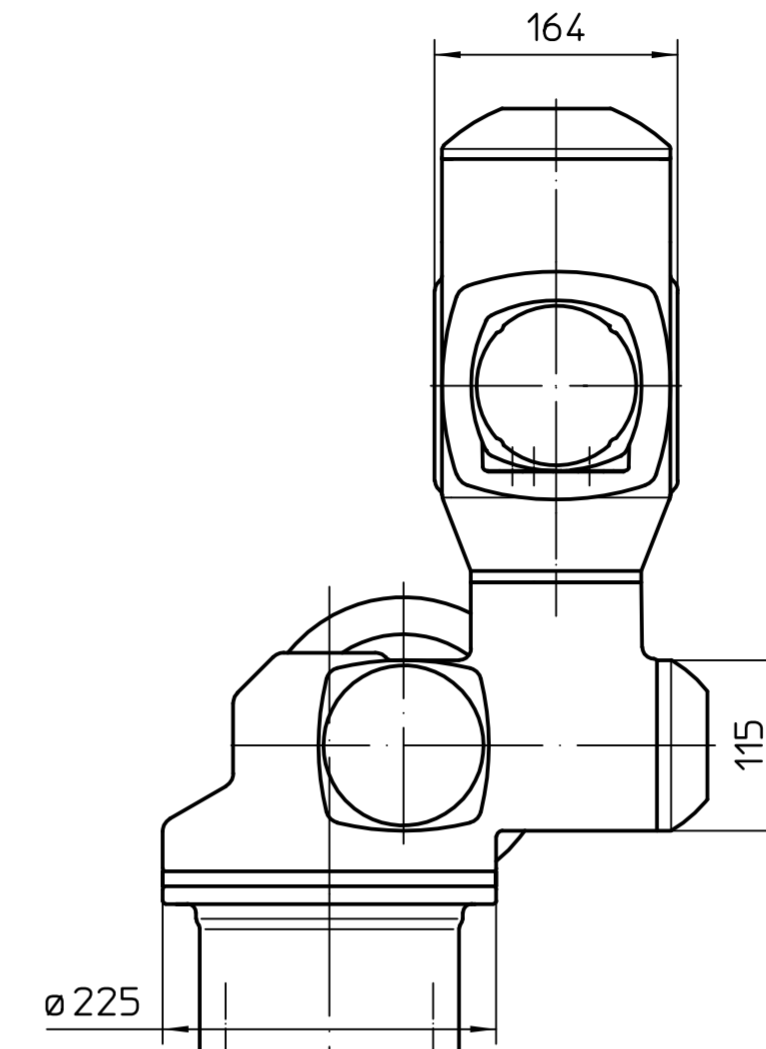
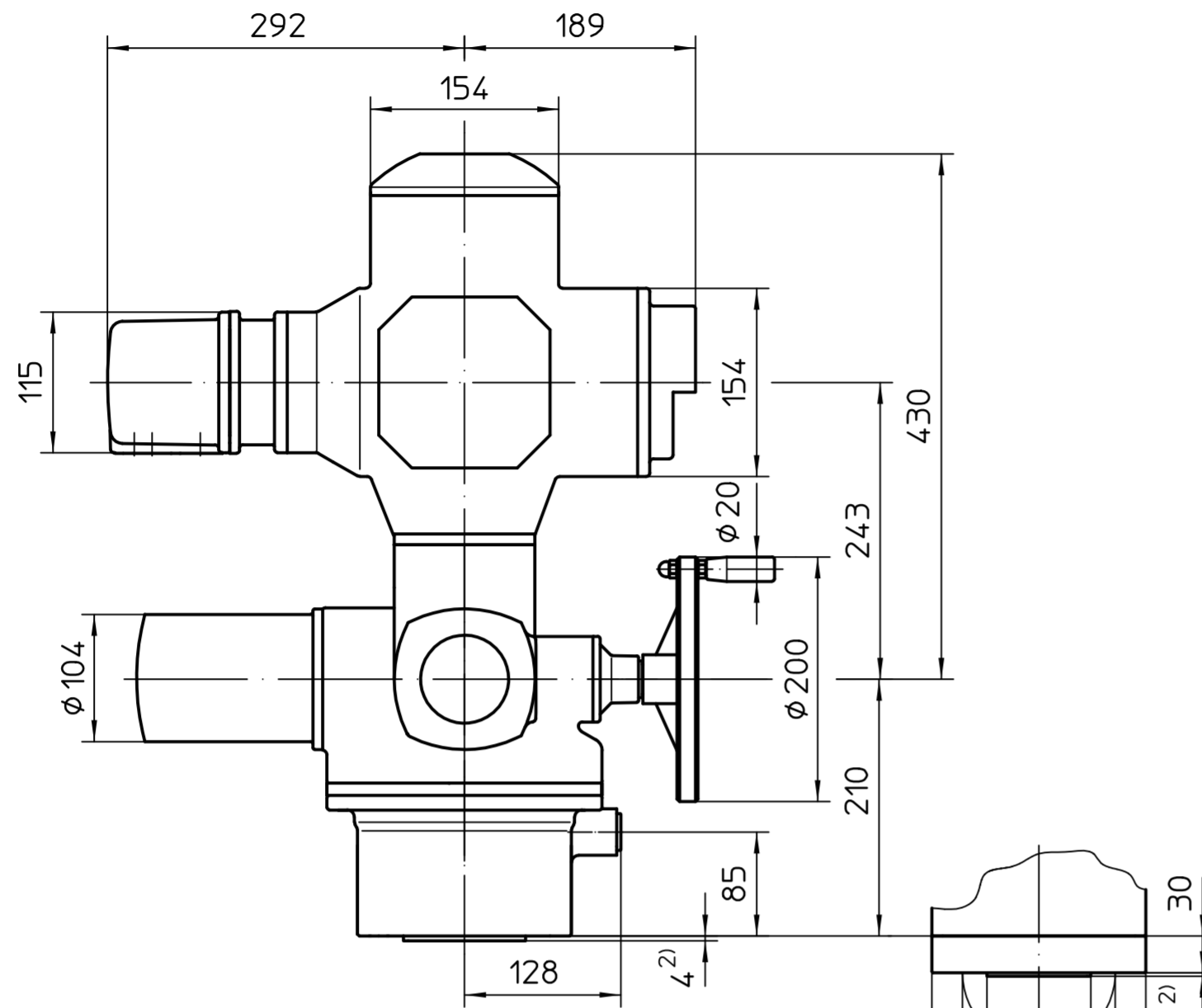
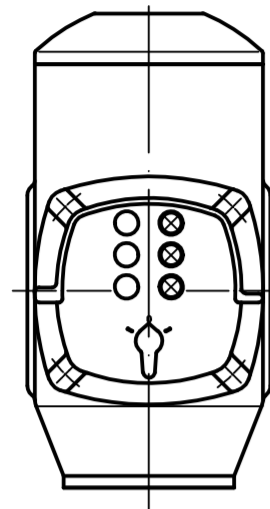


Standard version KP

Version KPH

Version KES



This drawing is subject to the provisions on copyright protection.

2) Only for version with spigot
 Standard without spigot: F12, F14, F16
 Option with spigot: F12, F14, F16

All dimensions in mm
 For all other dimensions of actuators/gearboxes,
 refer to the latest dimension sheet issue

1) Thread for cable entries acc.
 to order acknowledgement
 or technical data sheet

				Scale		 AUMA Riester GmbH & Co. KG		
				1:5				
				Date	Name			
				Edited 2019-05-06	Goltsev			
				Checked 2019-05-28	Mayer	SQ(R)Ex14.2-AM		
				Ret. 2019-05-29	Goltsev			
				AUMA Riester GmbH & Co. KG				
				P.O. Box 1362				
				79373 Muellheim/Germany				
				Tel. +49 7631 809-0				
				Fax +49 7631 13218				
03	259/2019	2019-05-06	Gol	U2.4182				Page
02	823/2018	2018-12-03	Gol					1
01	908/2015	2015-12-17	Gol					Qty
State	Revision	Date	Name					1