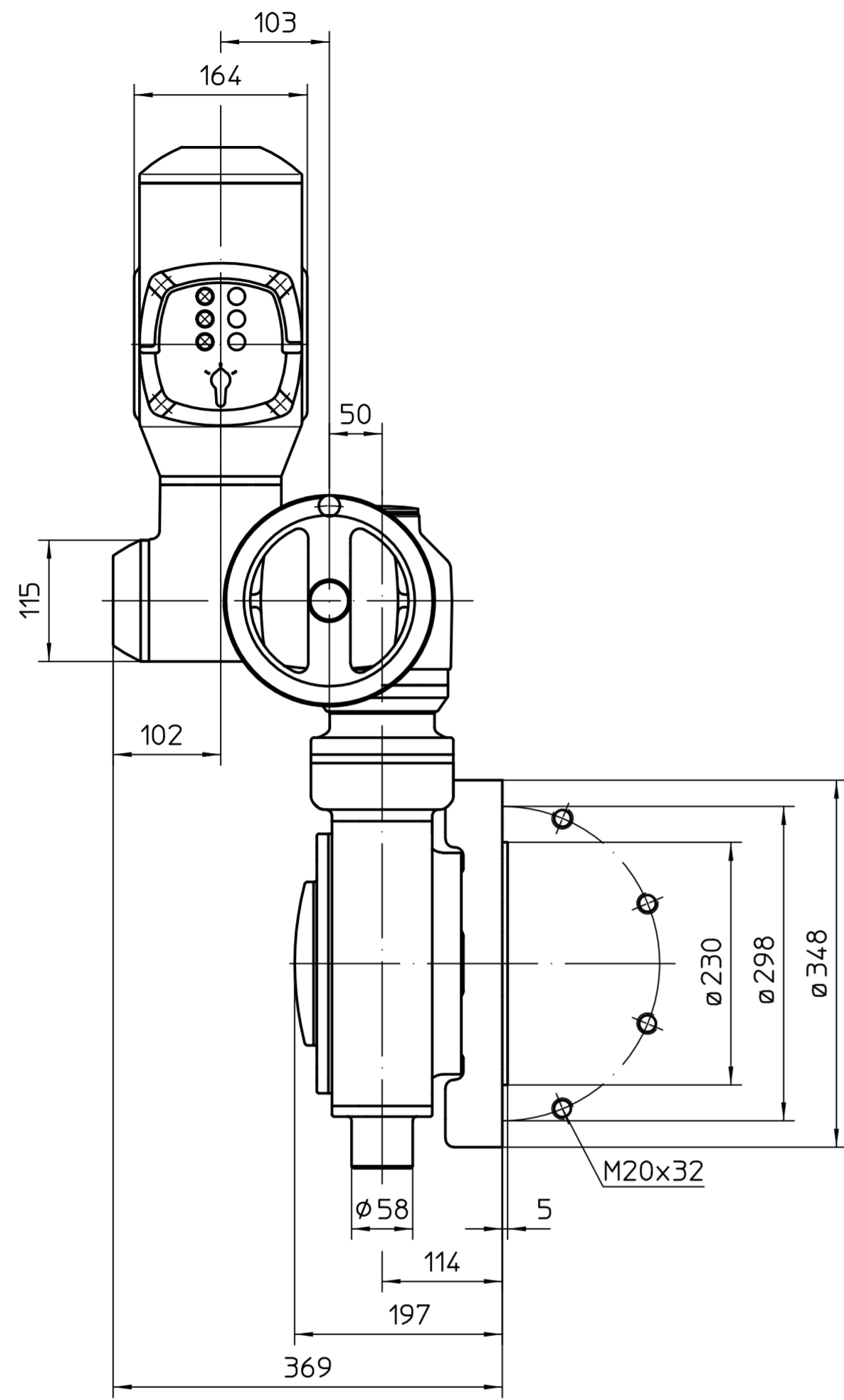
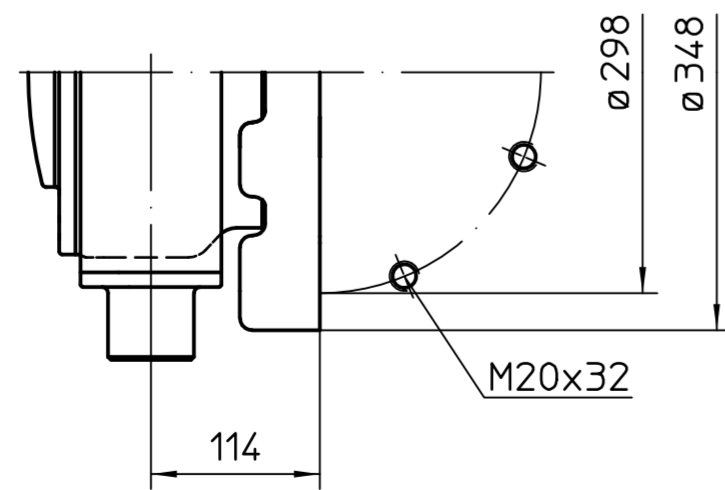


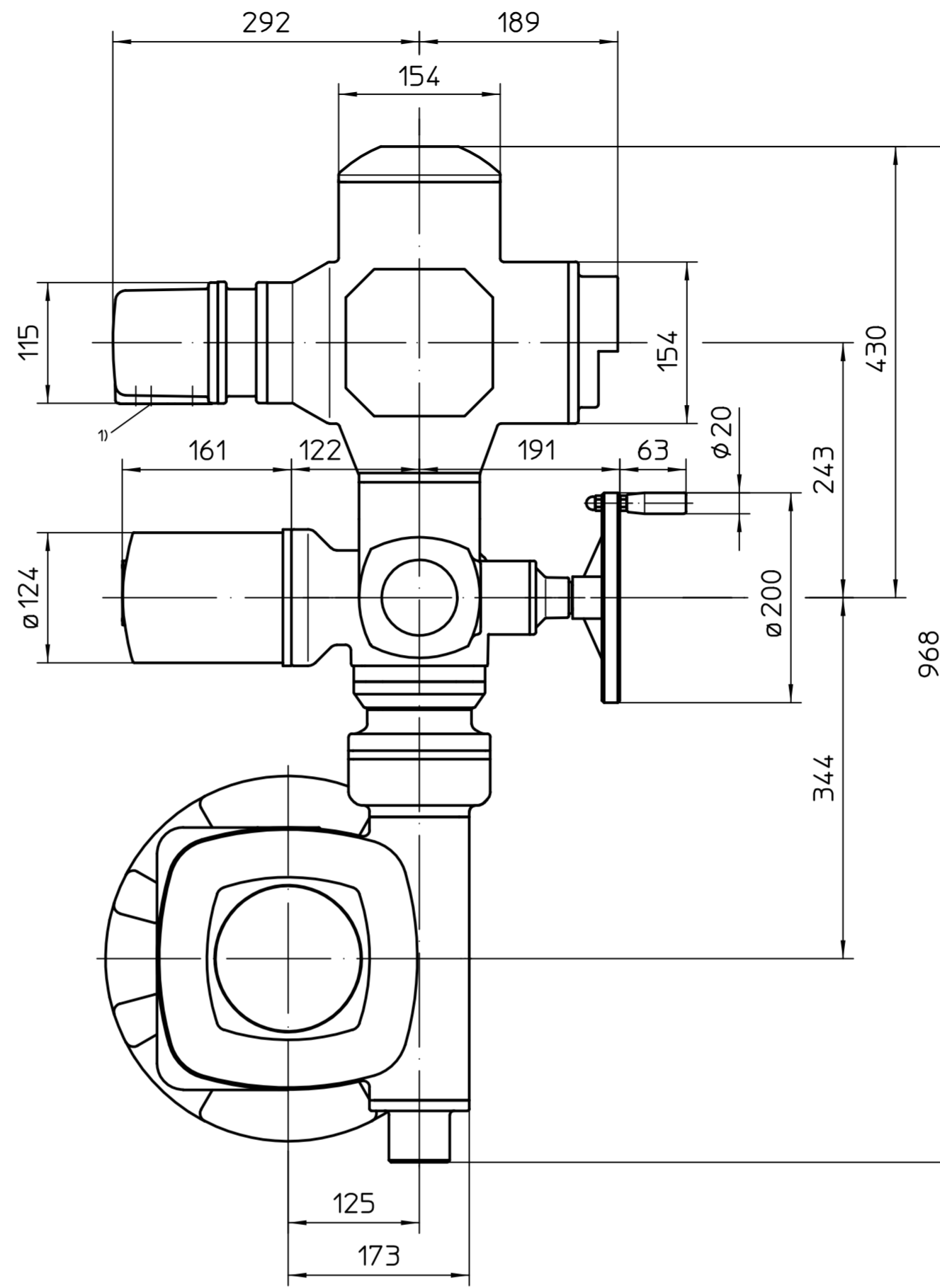
This drawing is subject to the provisions on copyright protection.



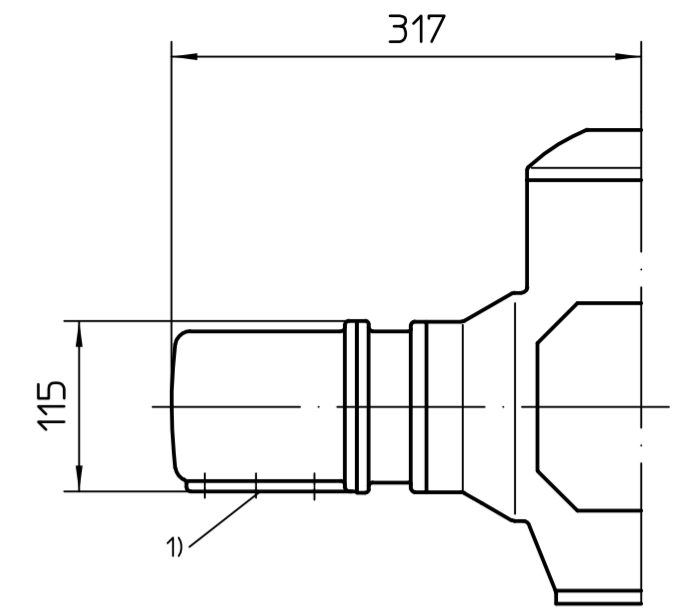
Plane flange option



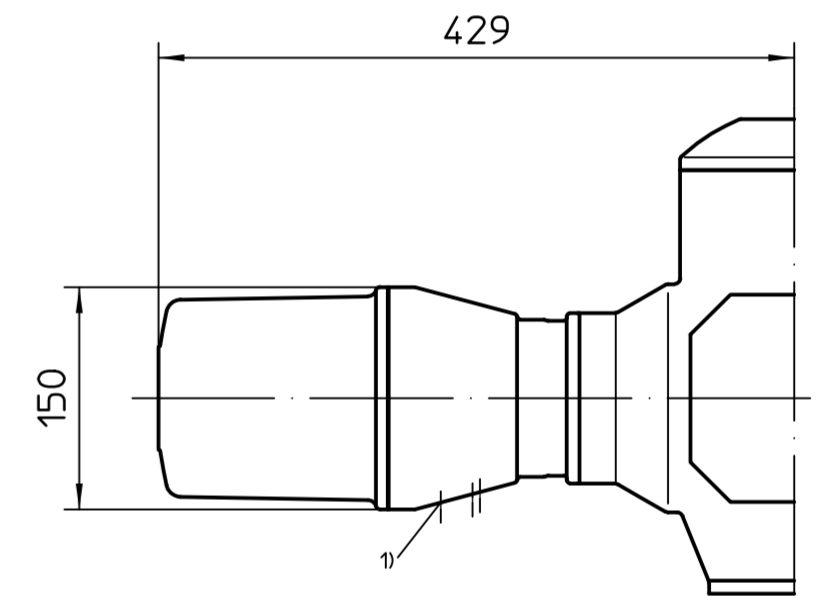
Standard version KP



Version KPH



Version KES



All dimensions in mm

For all other dimensions of actuators/gearboxes, refer to the latest dimension sheet issue

<sup>1)</sup> Thread for cable entries acc. to order acknowledgement or technical data sheet

Mounting position A

				Scale 1:5		 <b>AUMA</b> <sup>®</sup> AUMA Riester GmbH & Co. KG	
				Edited 2018-12-07 Goltsev Checked 2019-01-17 Duffner Ret. 2019-01-18 Goltsev			
				AUMA Riester GmbH & Co. KG P.O. Box 1362 79373 Muellheim/Germany Tel. +49 7631 809-0 Fax +49 7631 13218		<b>SA(R)Ex10.2-AM -GS125.3-F30-RR-RL</b>	
				<b>U2.5587</b>		Page 1 Qty 1	
01	823/2018	2018-12-07	Gol	126:1 / 160:1 / 208:1			
State	Revision	Date	Name				