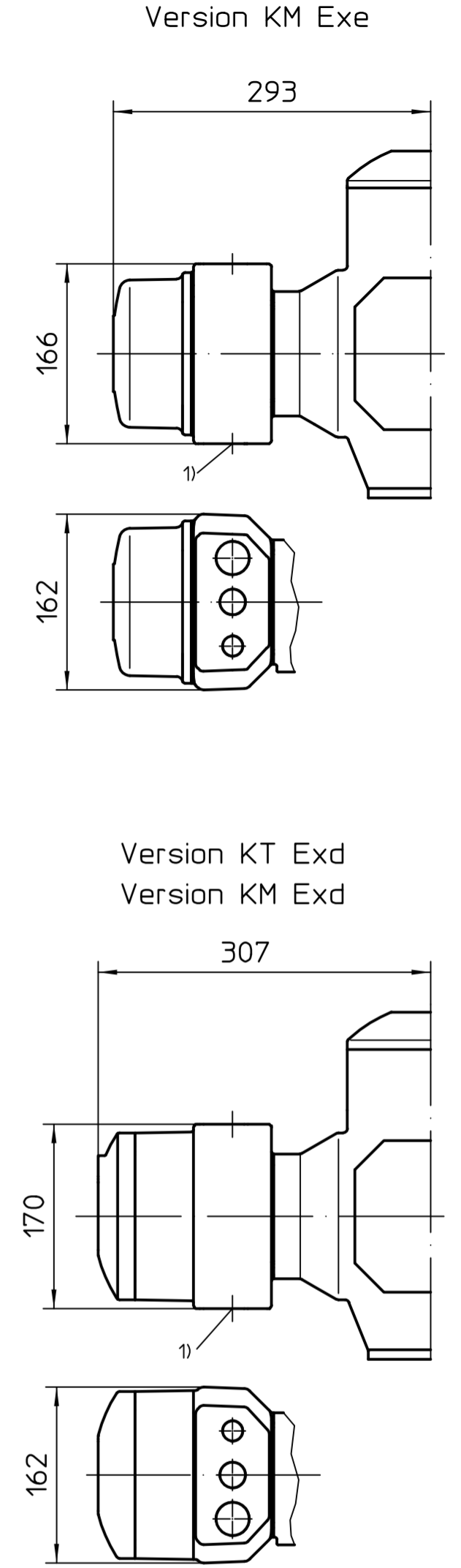
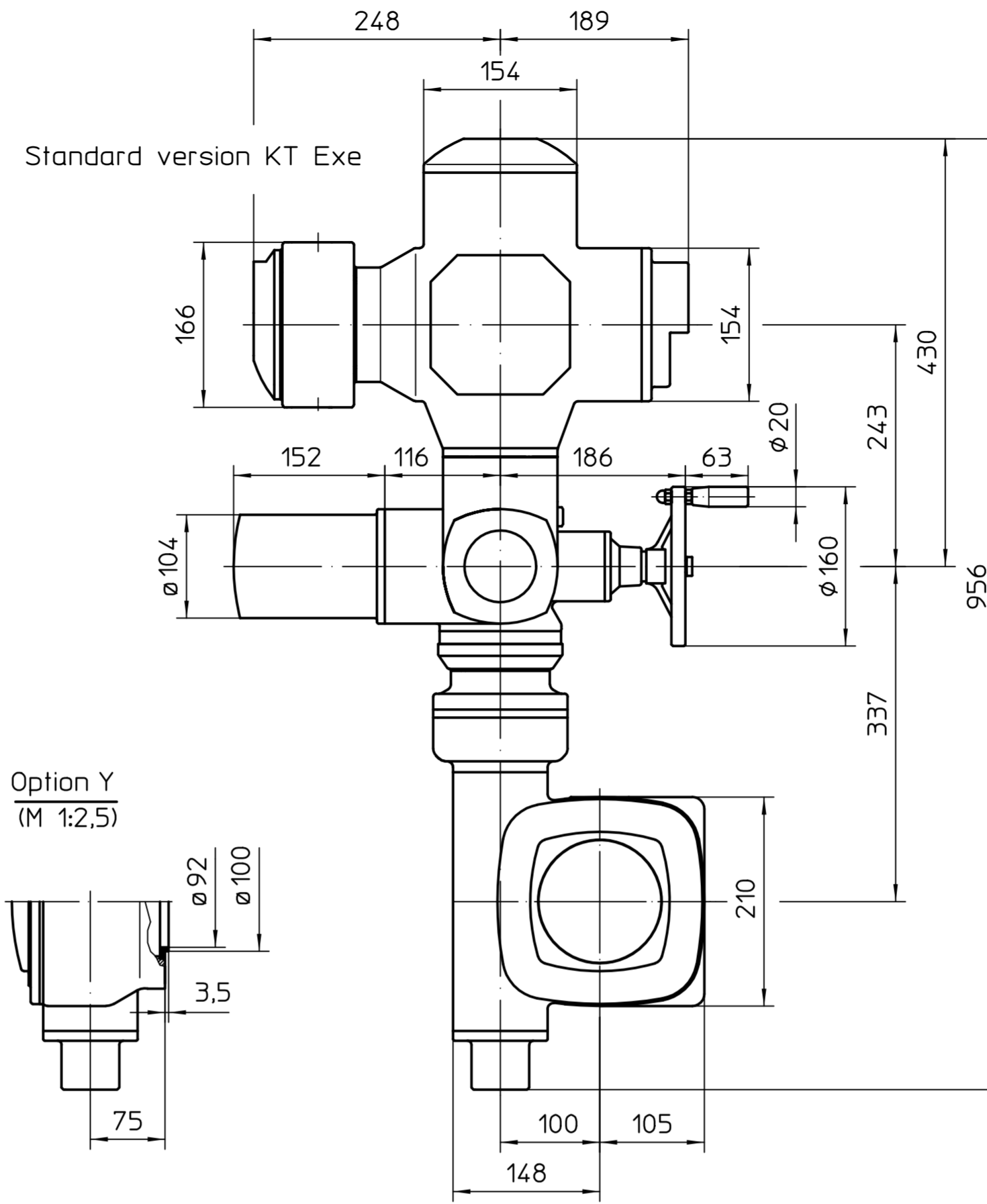
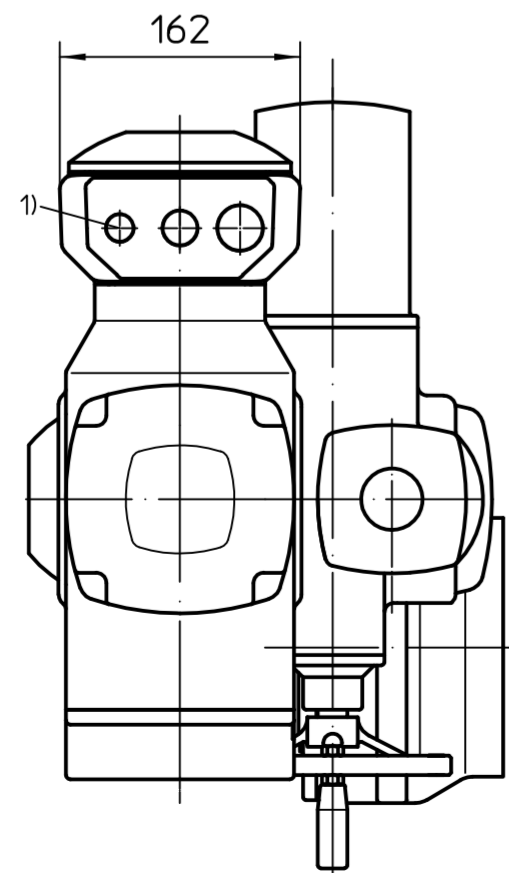
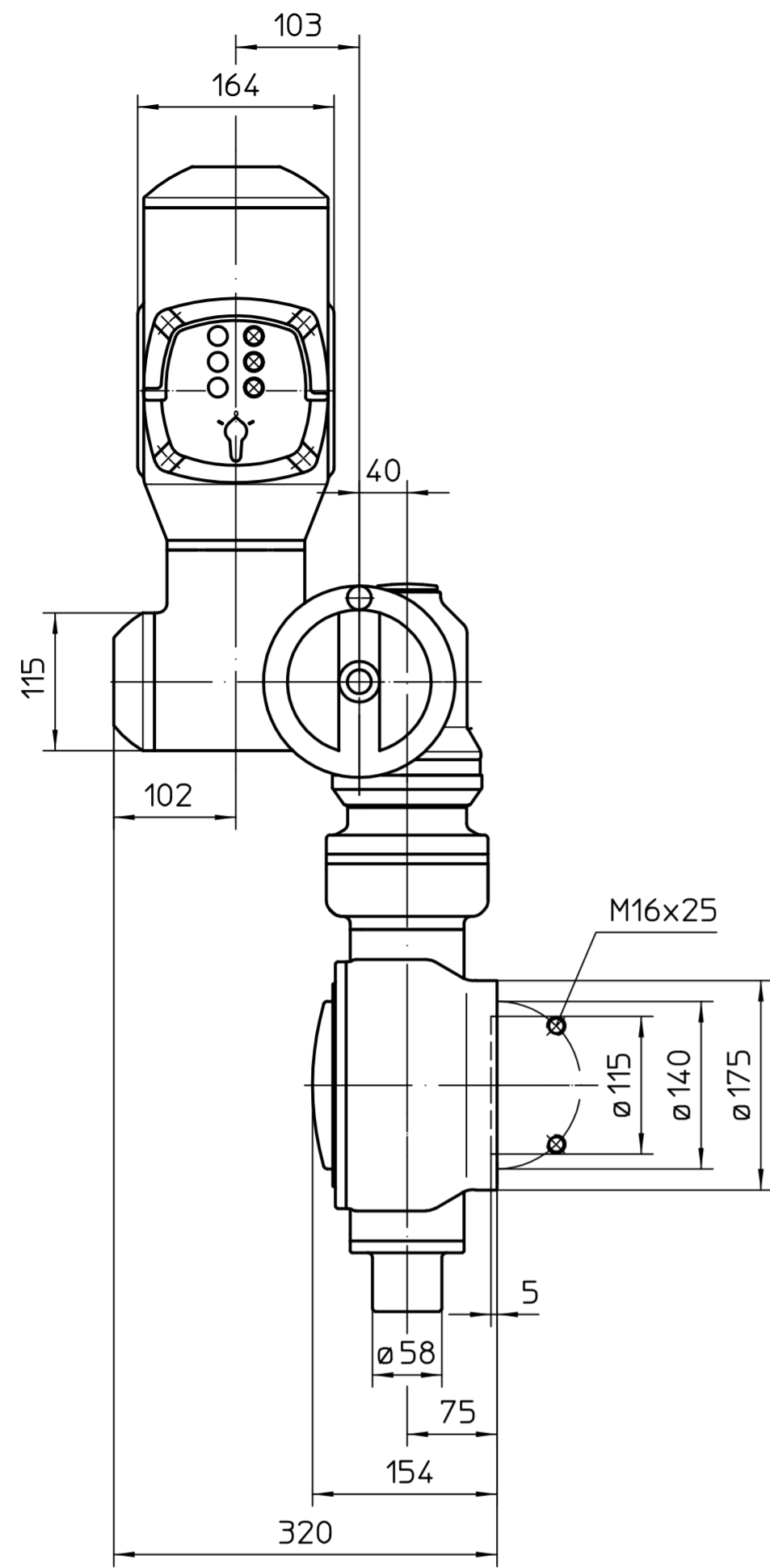


This drawing is subject to the provisions on copyright protection.




Option Y
(M 1:2,5)

1) Thread for cable entries acc. to order acknowledgement or technical data sheet

* also valid for: SAEx07.6
Mounting position A

All dimensions in mm
For all other dimensions of actuators/gearboxes, refer to the latest dimension sheet issue

State		Revision	Date	Name	Scale	 auma [®] AUMA Riester GmbH & Co. KG	SA(R)Ex07.2-AM -GS100.3-F14-LL-LR U2.5971	Page
Edited		2019-01-07	Goltsev	Date	1:5			1
Checked		2019-01-08	Duffner	Name				Qty
Ret.		2019-01-08	Goltsev					1
AUMA Riester GmbH & Co. KG P.O. Box 1362 79373 Muelheim/Germany Tel. +49 7631 809-0 Fax +49 7631 13218					* - SAEx07.6 - 126:1 / 160:1 / 208:1 - KT / KM			