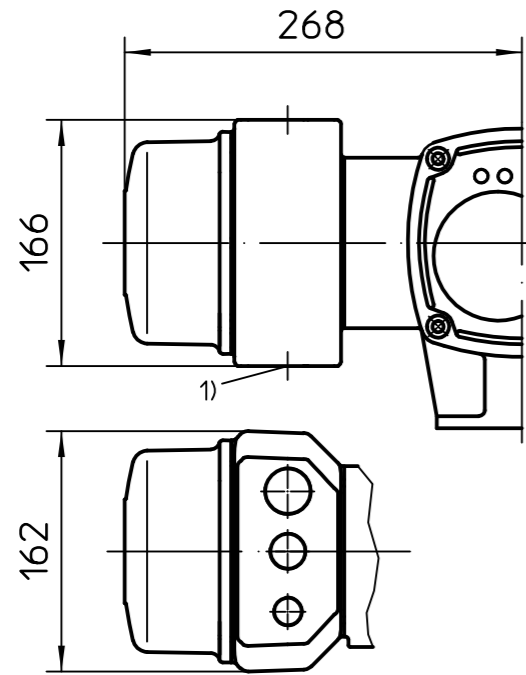
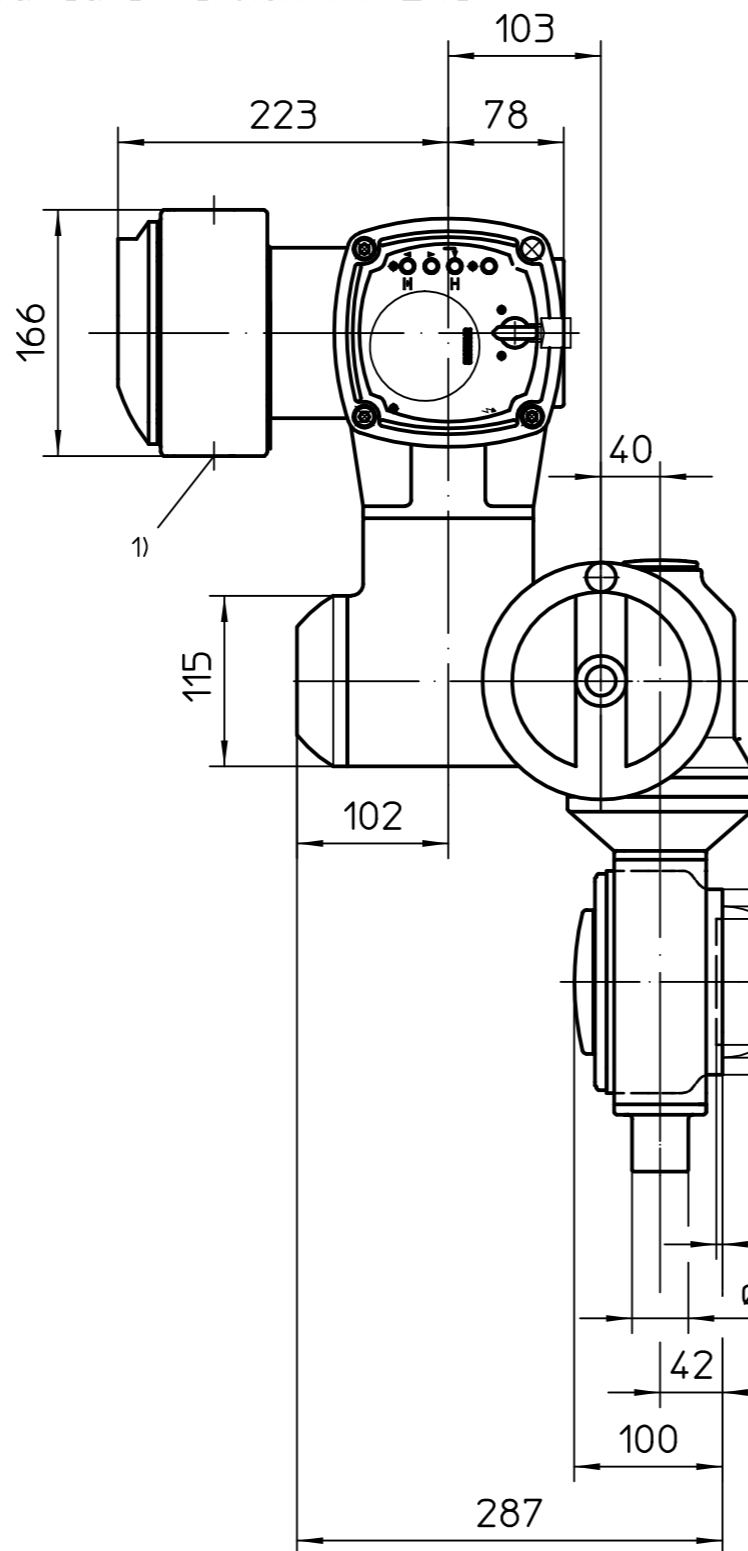


This drawing is subject to the provisions on copyright protection.

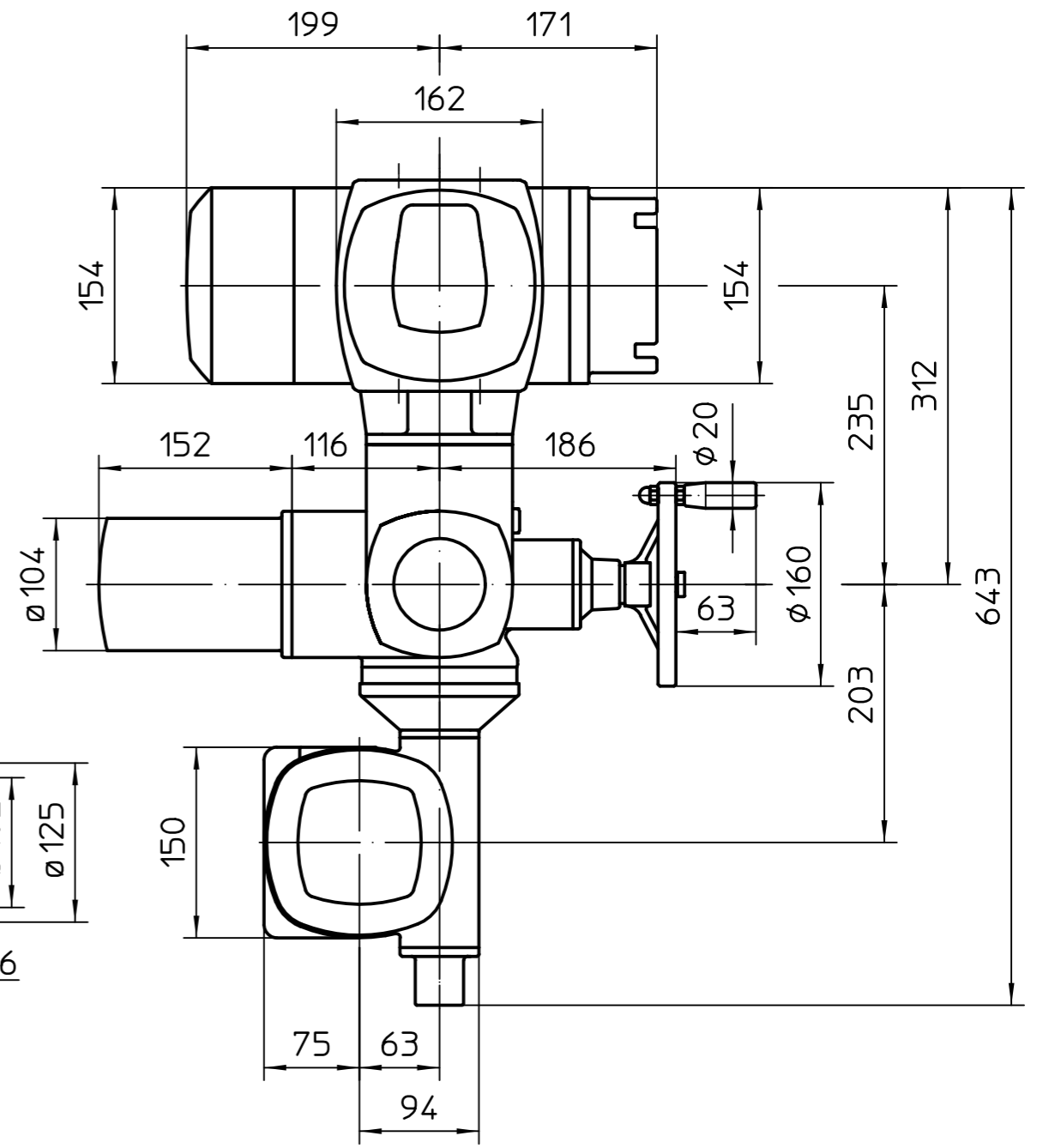
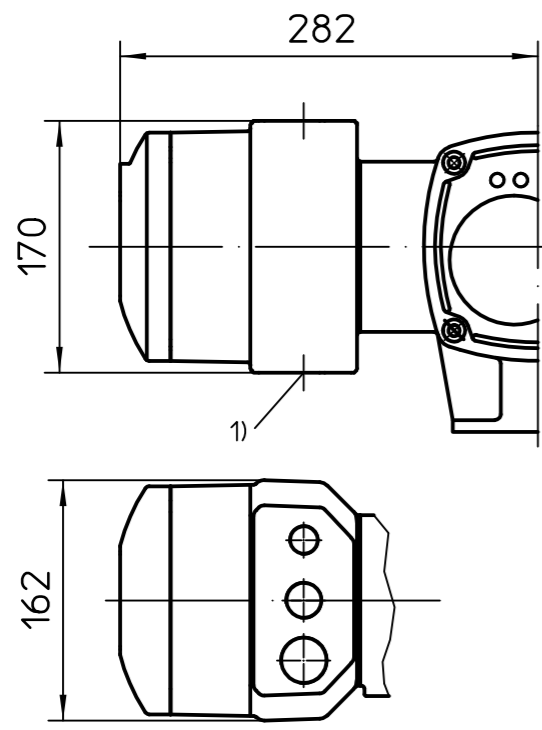
Version KM Exe



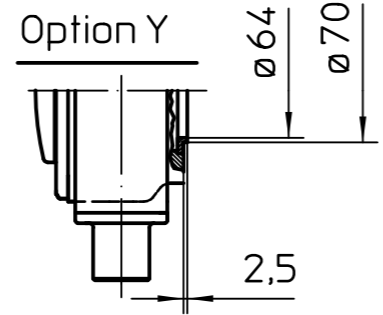
Standard version KT Exe



Version KT Exd
Version KM Exd



* also valid for: SA07.6
Mounting position A



1) Thread for cable entries acc. to order acknowledgement or technical data sheet

All dimensions in mm
For all other dimensions of actuators/gearboxes, refer to the latest dimension sheet issue

State	Revision	Date	Name

Scale 1:5		 AUMA Riester GmbH & Co. KG
Date	Name	
Edited	2019-07-02	Goltsev
Checked	2019-07-02	Mayer
Rel.	2019-07-02	Goltsev
AUMA Riester GmbH & Co. KG P.O. Box 1362 79373 Muellheim/Germany Tel. +49 7631 809-0 Fax +49 7631 13218		SA(R)Ex07.2-AC2 -GS63.3-F10-RR-RL U3.6163
Page	1	
Qty	1	
* - SA07.6 - 51:1 / 82:1 - KT / KM		