

Version SB

Version SH

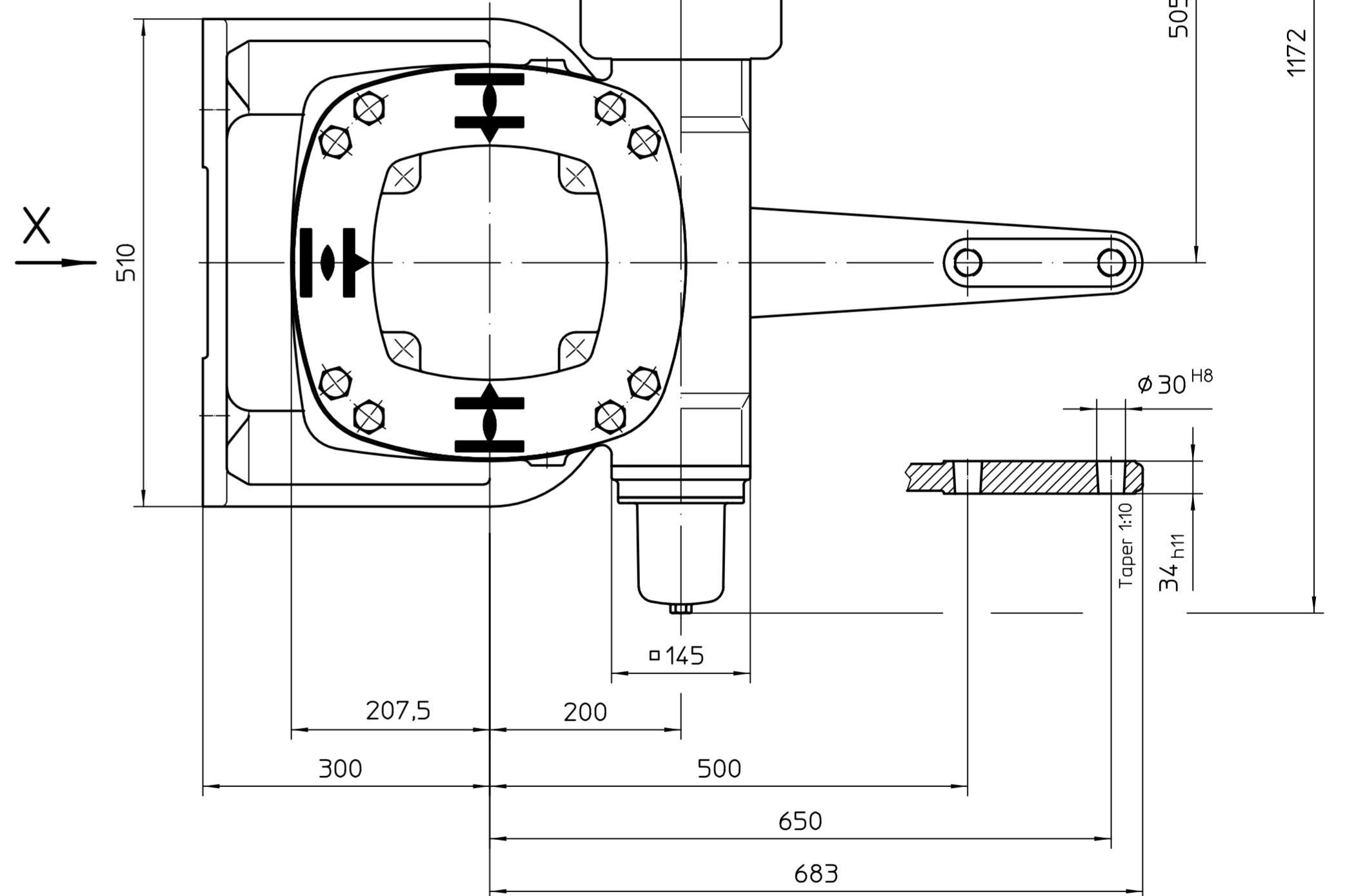
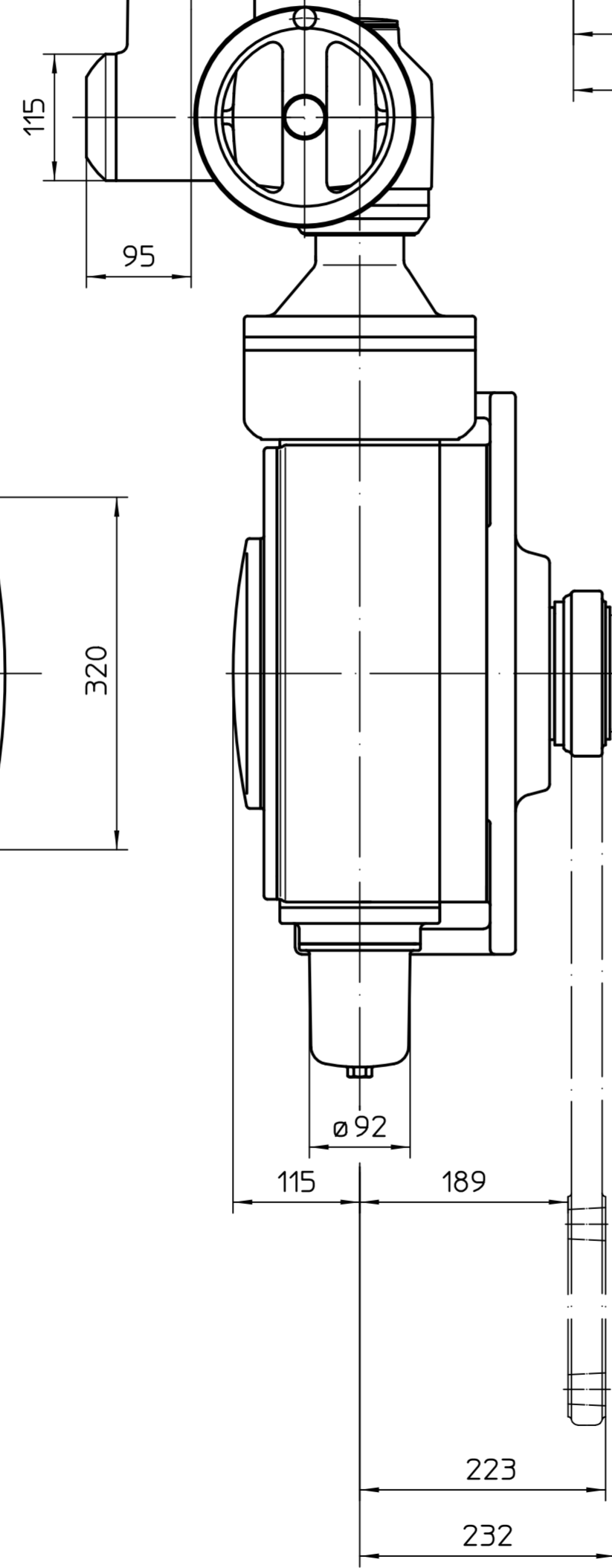
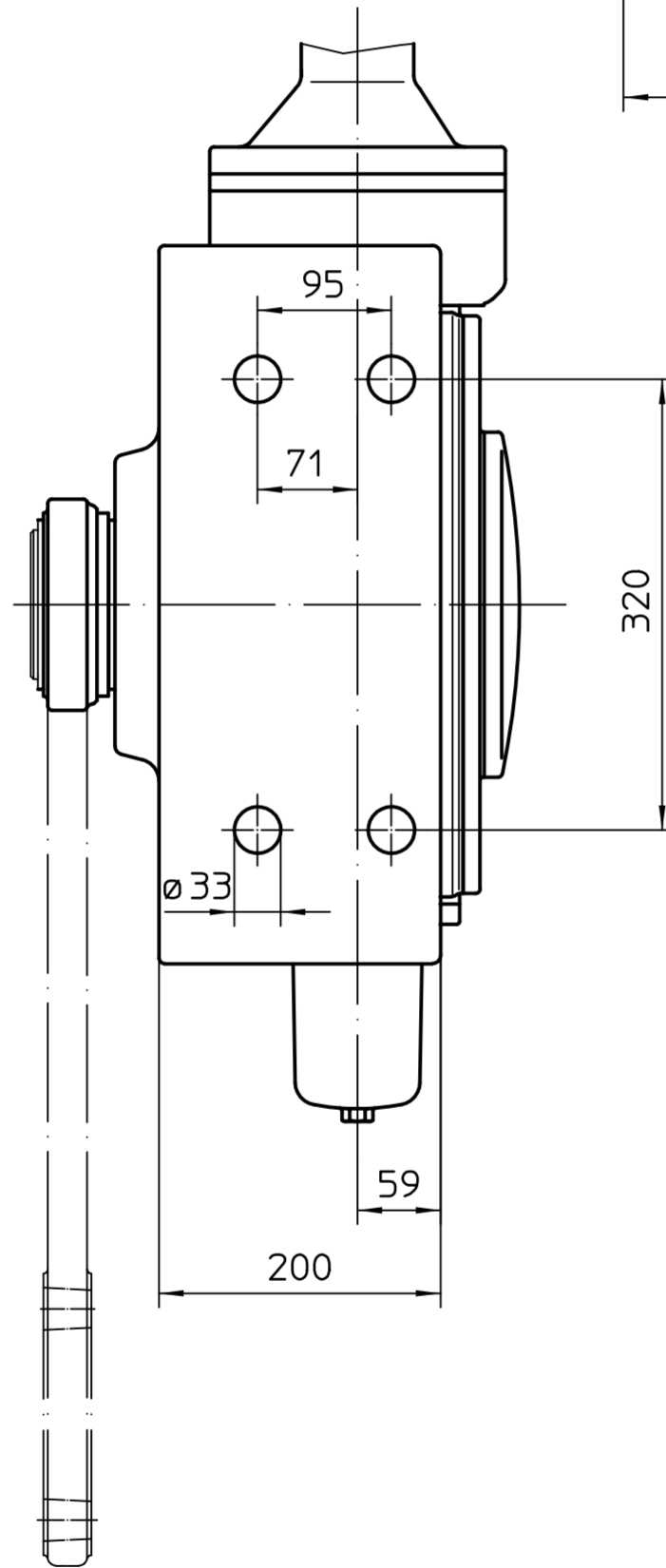
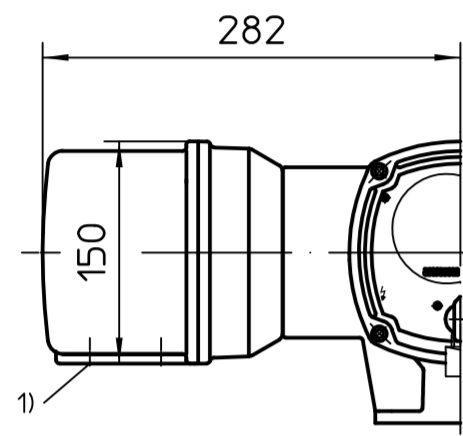
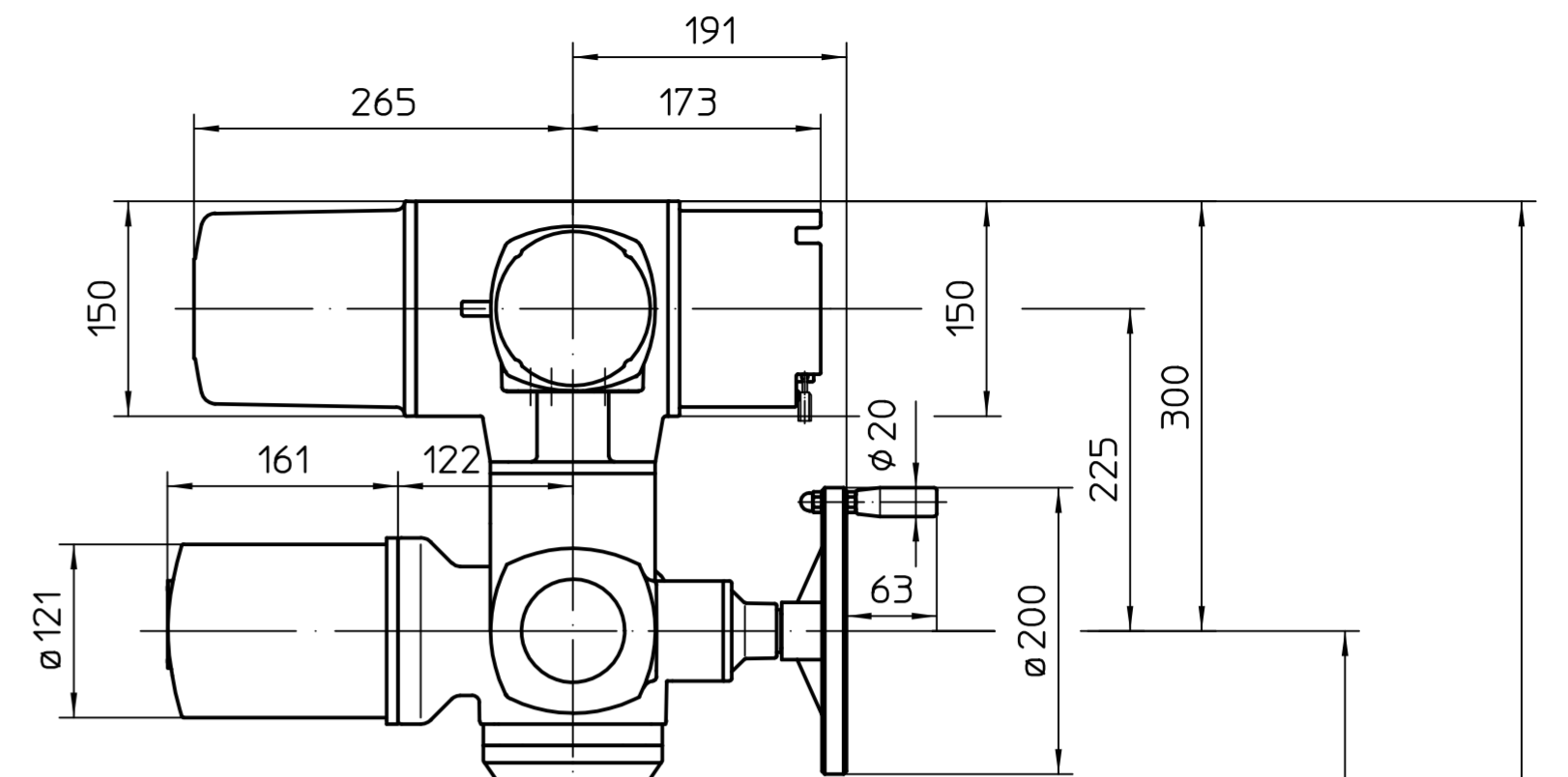
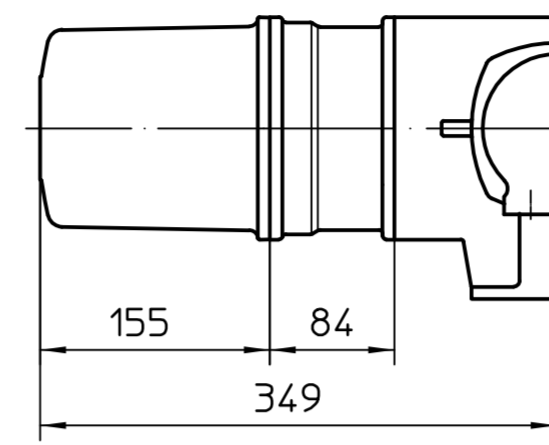
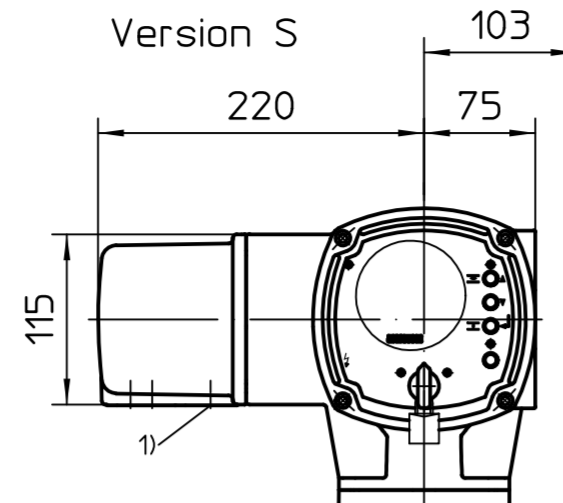
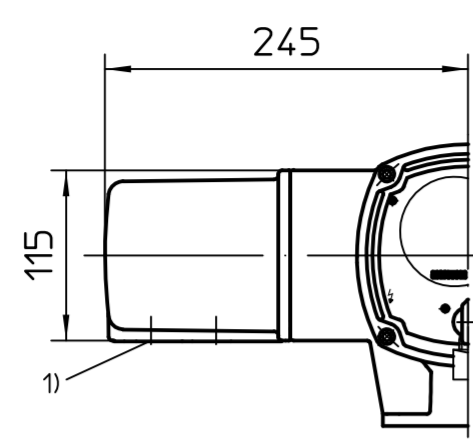
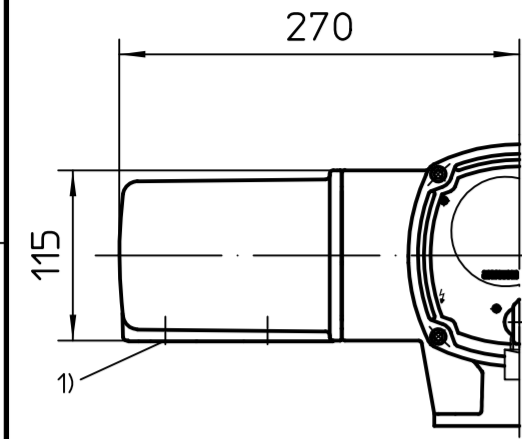
Version S

Version with thermal overload relay

Version SE

Detail X

Mounting position A




This drawing is subject to the provisions on copyright protection.

All dimensions in mm

For all other dimensions of actuators/gearboxes, refer to the latest dimension sheet issue

1) Thread for cable entries acc. to order acknowledgement or technical data sheet

State		Revision	Date	Name	Scale	 auma [®] AUMA Riester GmbH & Co. KG	SA(R)10.2-AC2 -GF200.3-RR-RL	U2.6752	Page	
Edited		2021-03-01	Goltsev	Date	1:5				AUMA Riester GmbH & Co. KG P.O. Box 1362 79373 Muellheim/Germany Tel. +49 7631 809-0 Fax +49 7631 13218	Qty 1
Checked		2021-03-02	Demir	Name						
Ret.		2021-03-02	Goltsev							
State		Revision	Date	Name	214:1 / 434:1					