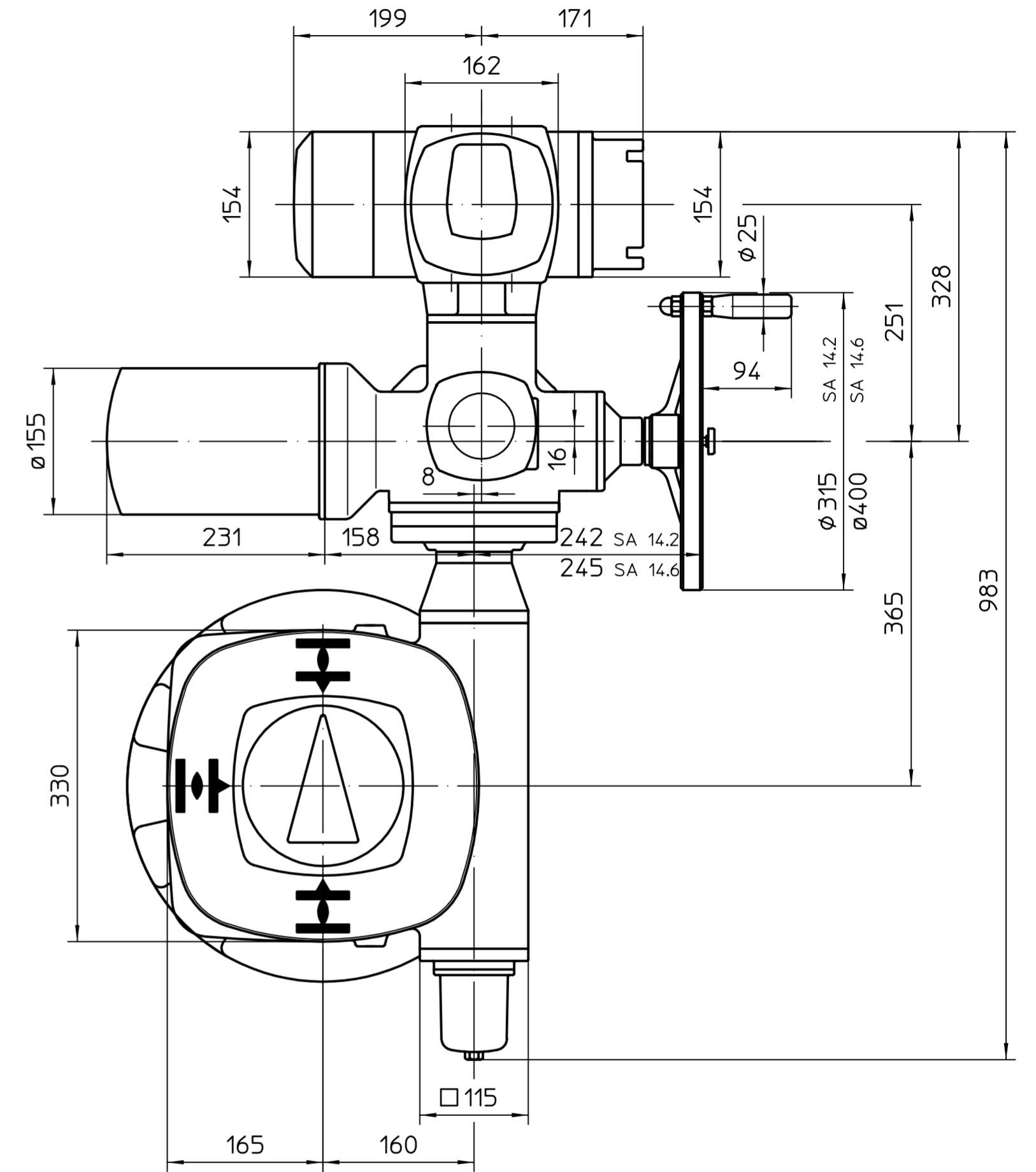
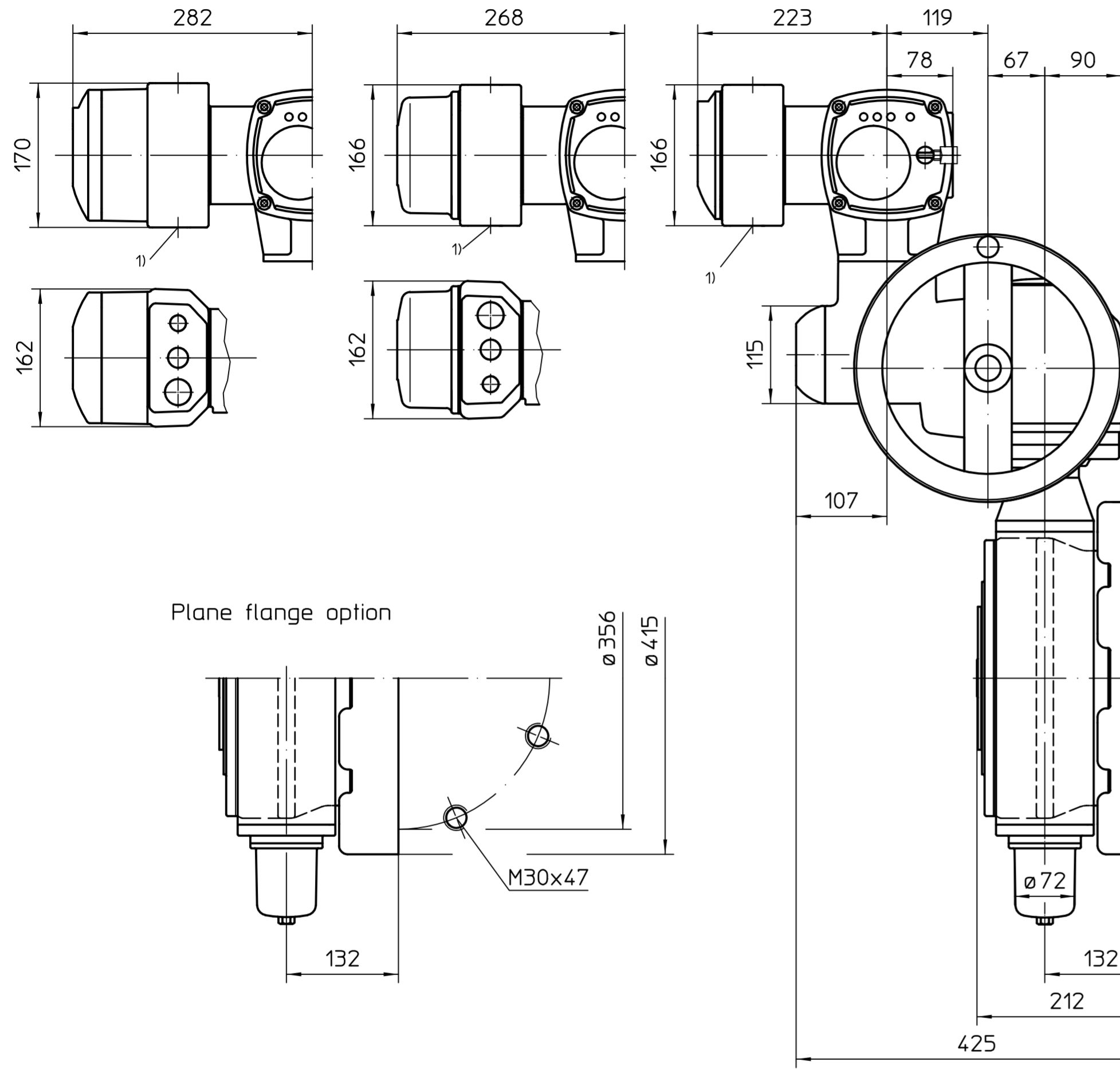


Version KT Exd  
Version KM Exd

Version KM Exe

Standard version KT Exe




This drawing is subject to the provisions on copyright protection.

All dimensions in mm  
For all other dimensions of actuators/gearboxes,  
refer to the latest dimension sheet issue

1) Thread for cable entries acc.  
to order acknowledgement  
or technical data sheet

\*also valid for: SAEx14.6  
Mounting position A

State		Revision	Date	Name	Scale	 <b>AUMA</b> <sup>®</sup> AUMA Riester GmbH & Co. KG	<b>SA(R)Ex14.2-AC2 -GS160.3-F35-RR-RL</b>	Page 1 Qty 1
Edited		2022-02-08	Goltsev	1:5				
Checked		2022-02-09	Demir					
Ret.		2022-02-09	Goltsev					
AUMA Riester GmbH & Co. KG P.O. Box 1362 79373 Muellheim/Germany Tel. +49 7631 809-0 Fax +49 7631 13218						<b>U2.7098</b>		
						* - SAEx14.6 - 54:1 - KT / KM		