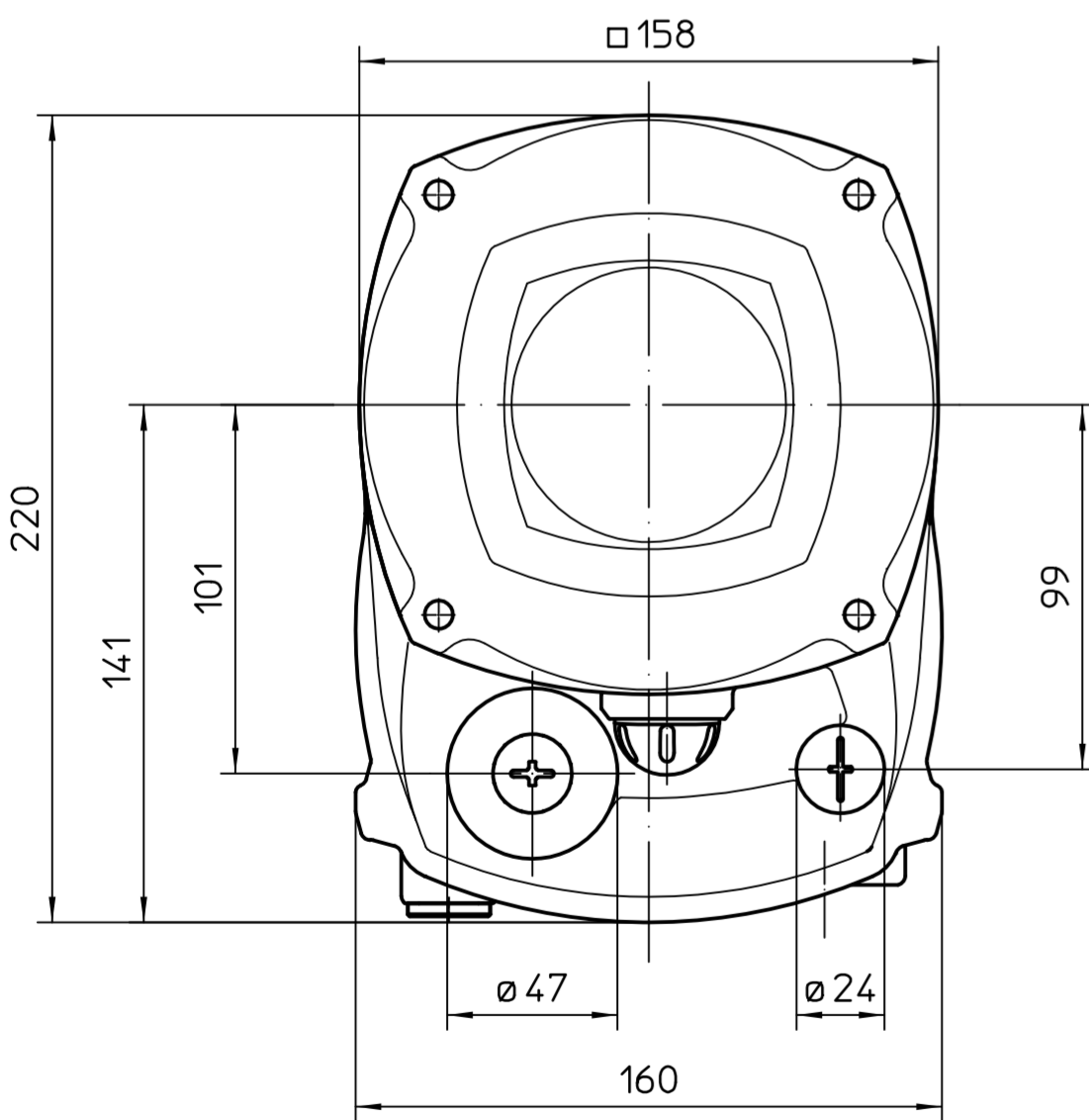
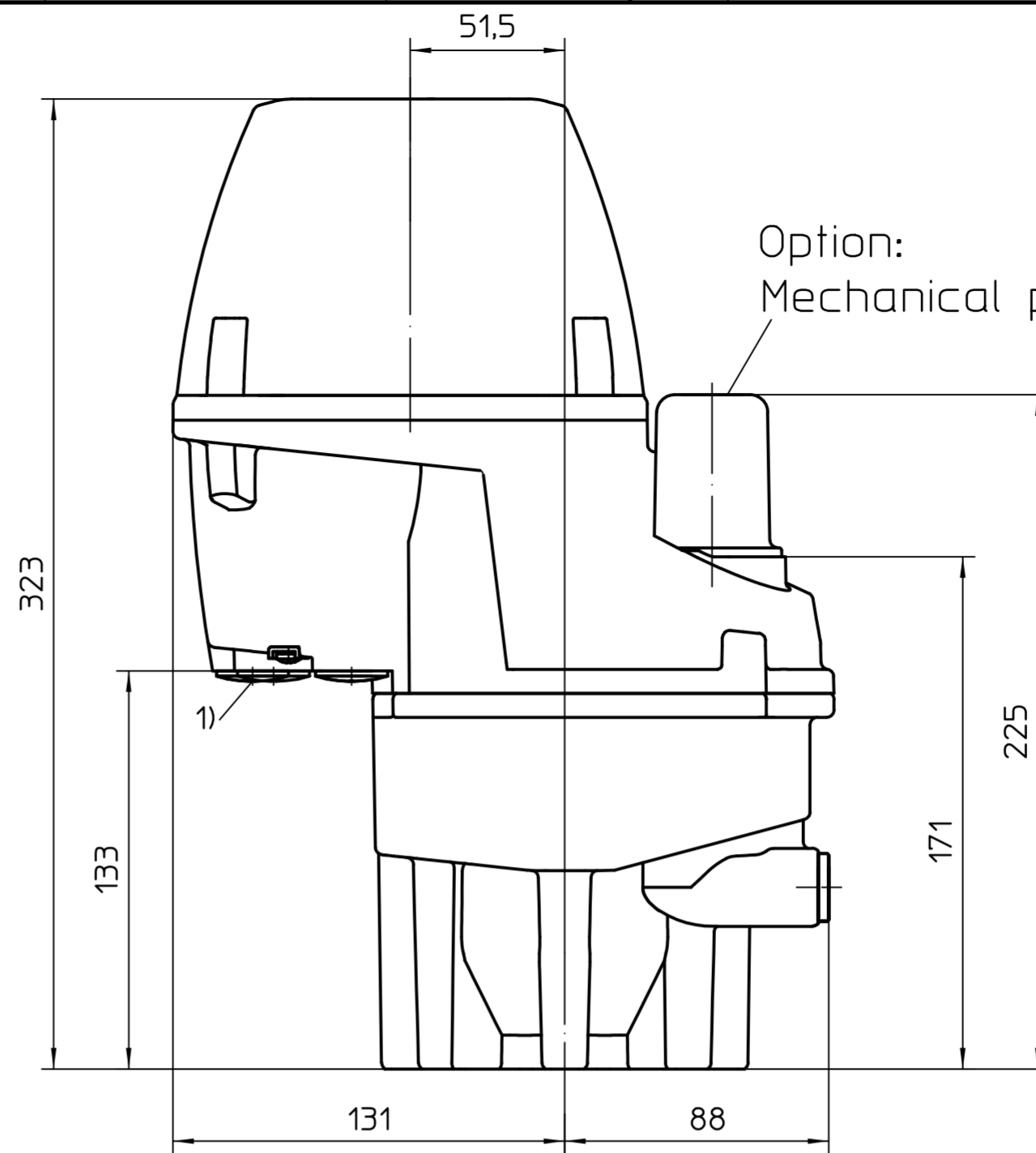
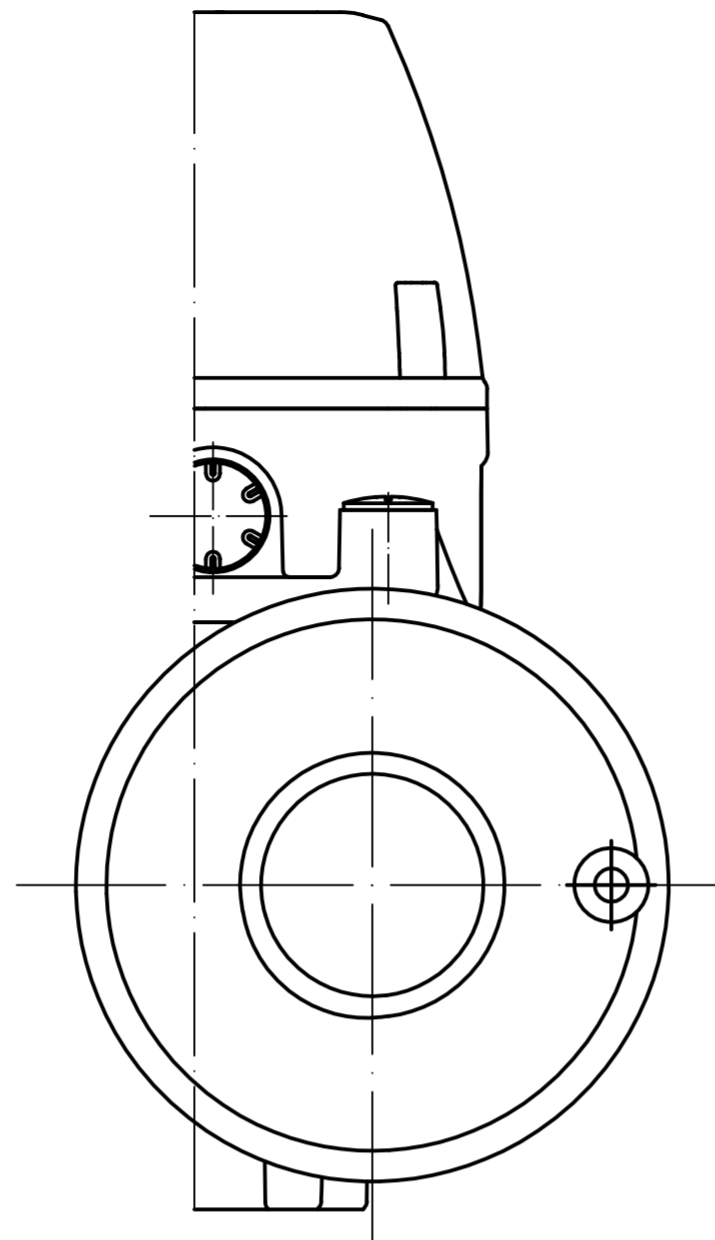
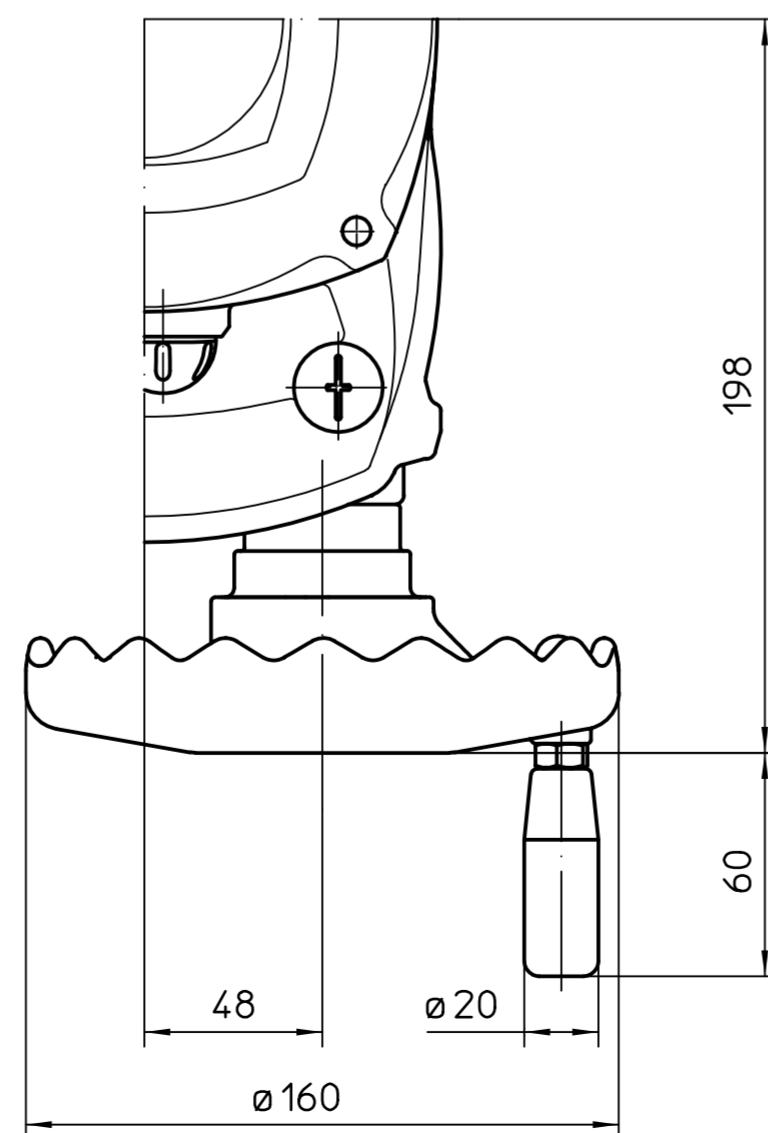


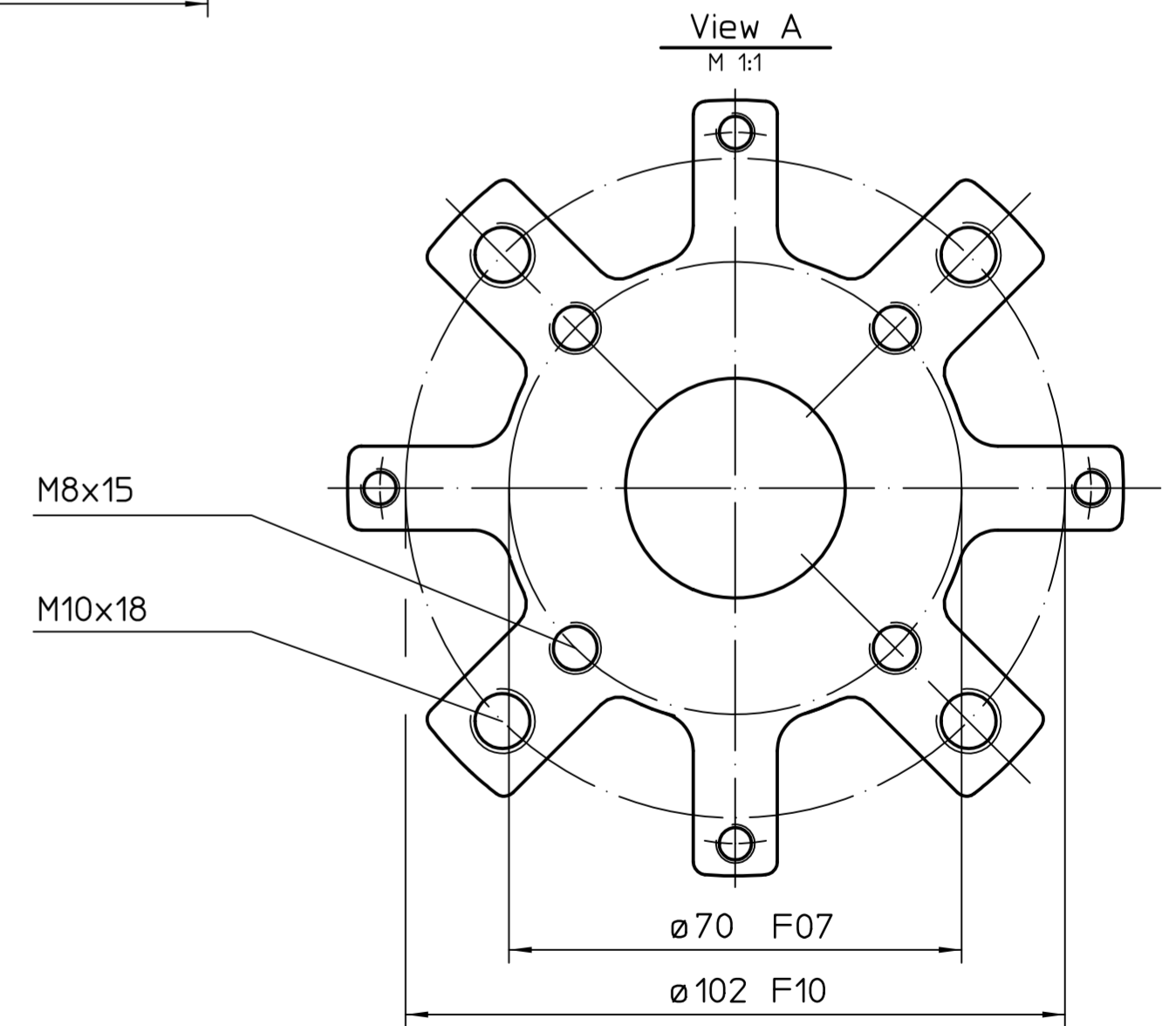
Option: Handwheel



Option: Handwheel



A ↑



¹⁾ Thread for cable entries acc. to order acknowledgement or technical data sheet

All dimensions in mm
For all other dimensions of actuators/gearboxes, refer to the latest dimension sheet issue

				Scale	auma [®] AUMA Riester GmbH & Co. KG	
				1:2	PF-M100X	
				Date	Name	U2.7227
				Edited 2022-07-19	Goltsev	
				Checked 2022-07-20	Demir	
				Ret. 2022-07-20	Goltsev	Page 1
				AUMA Riester GmbH & Co. KG P.O. Box 1362 79373 Muellheim/Germany Tel. +49 7631 809-0 Fax +49 7631 13218		Qty 1
State	Revision	Date	Name			

This drawing is subject to the provisions on copyright protection.