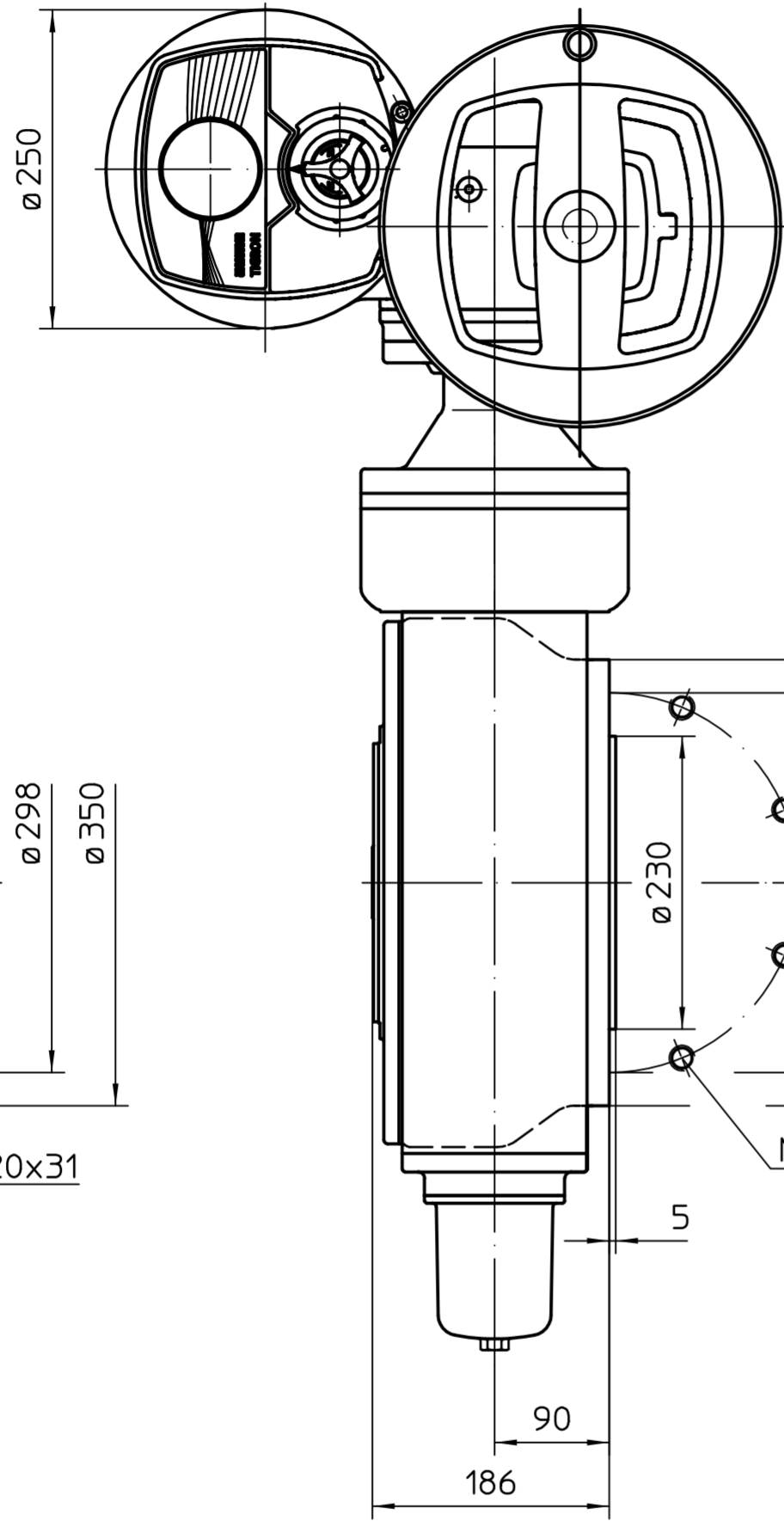
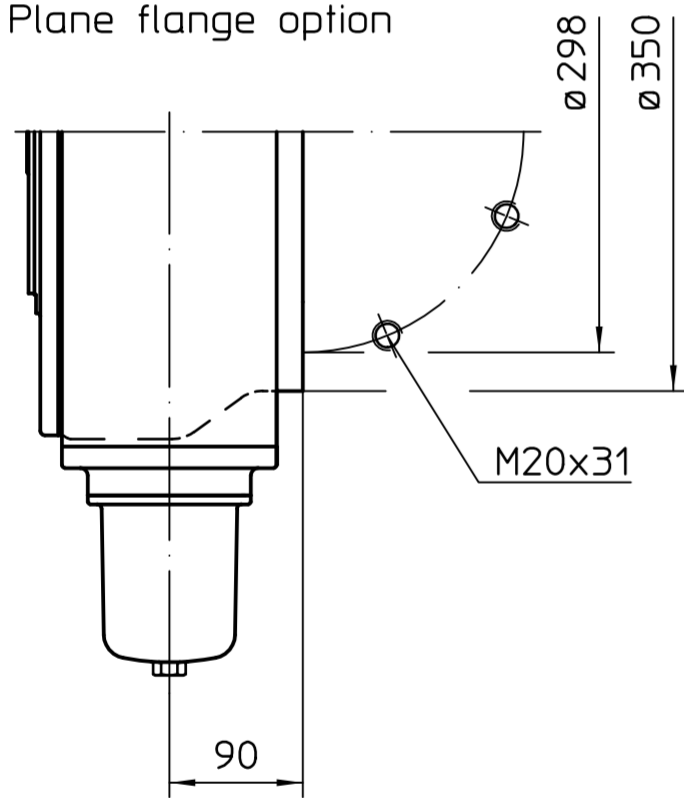
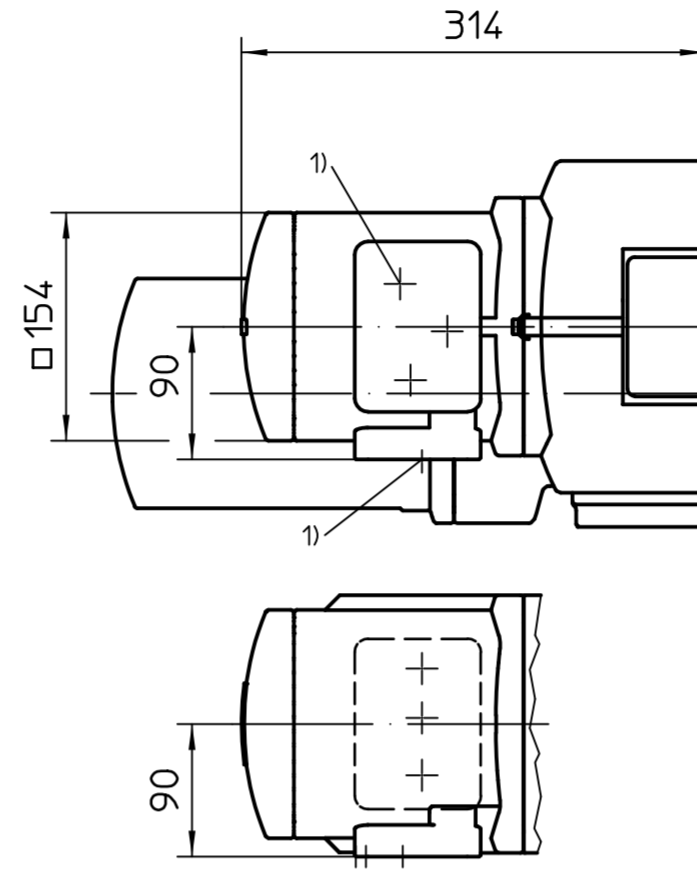


This drawing is subject to the provisions on copyright protection.

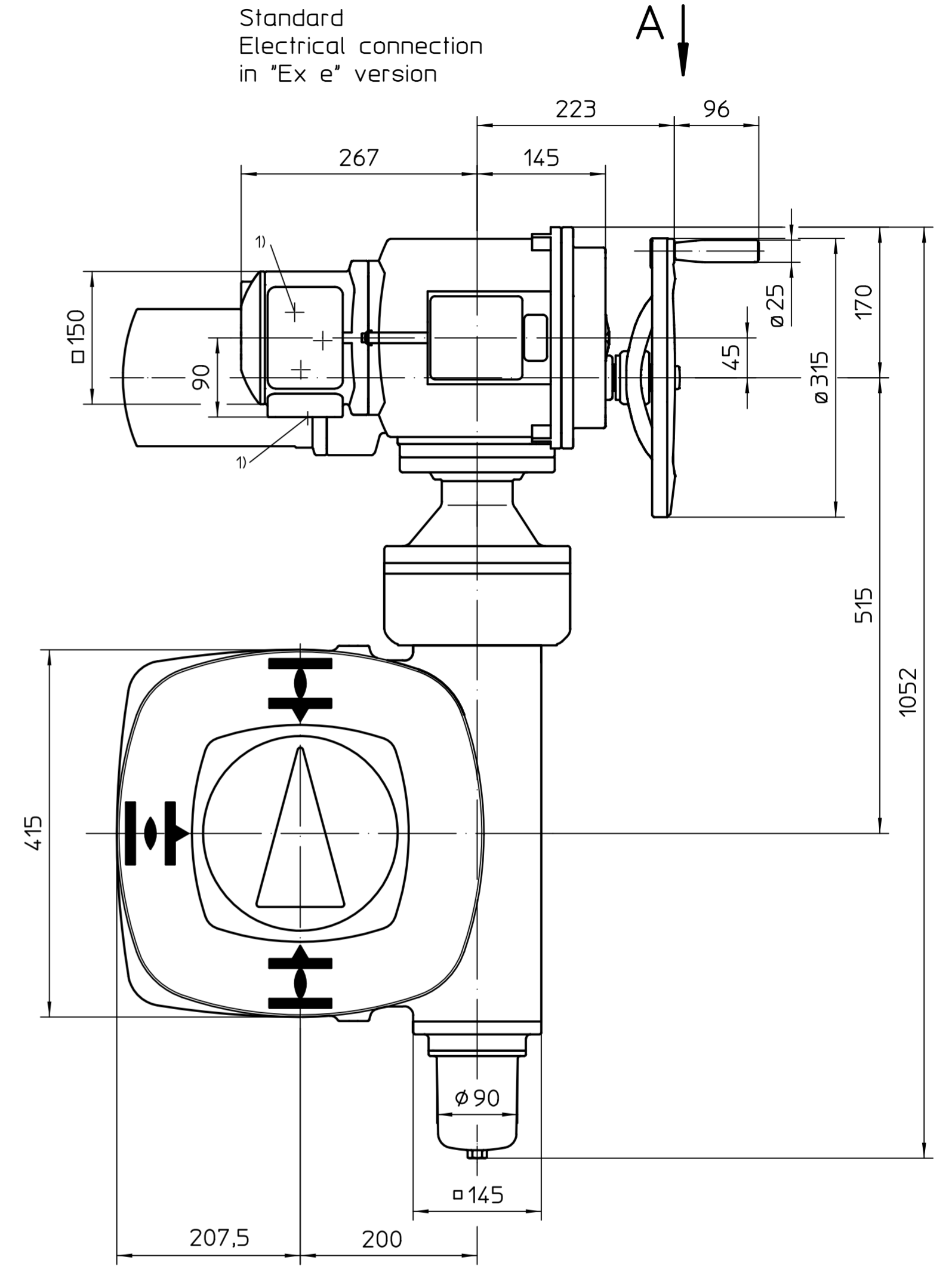
Plane flange option



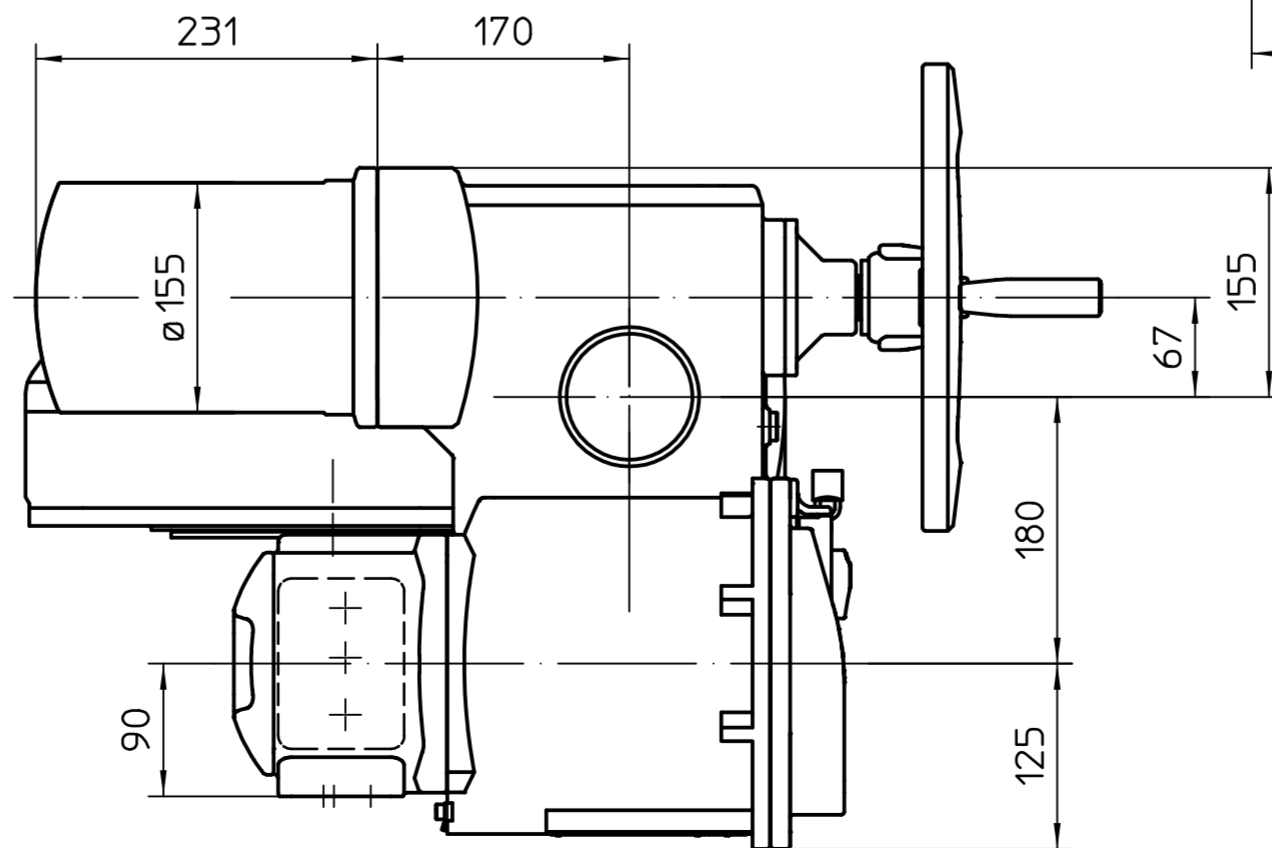
Option  
Electrical connection  
in "Ex d" version



Standard  
Electrical connection  
in "Ex e" version



View A




1) Thread for cable entries acc. to order acknowledgement or technical data sheet

All dimensions in mm

For all other dimensions of actuators/gearboxes, refer to the latest dimension sheet issue

Mounting position A

|                                                                                                                     |  |            |         |      |                 |                                                                                       |               |                                                        |  |
|---------------------------------------------------------------------------------------------------------------------|--|------------|---------|------|-----------------|---------------------------------------------------------------------------------------|---------------|--------------------------------------------------------|--|
| State                                                                                                               |  | Revision   | Date    | Name | Scale           |  |               | <b>auma</b> <sup>®</sup><br>AUMA Riester GmbH & Co. KG |  |
| Edited                                                                                                              |  | 2024-02-05 | Goltsev |      | 1:5             | TR-M250X/TR-M500X<br>-GS200.3-F30-RR-RL<br>U2.7949                                    |               |                                                        |  |
| Checked                                                                                                             |  | 2024-02-21 | Demir   |      |                 |                                                                                       |               |                                                        |  |
| Ret.                                                                                                                |  | 2024-02-21 | Goltsev |      |                 |                                                                                       |               |                                                        |  |
| AUMA Riester GmbH & Co. KG<br>P.O. Box 1362<br>79373 Muellheim/Germany<br>Tel. +49 7631 809-0<br>Fax +49 7631 13218 |  |            |         |      | Page 1<br>Qty 1 |                                                                                       | 214:1 / 434:1 |                                                        |  |