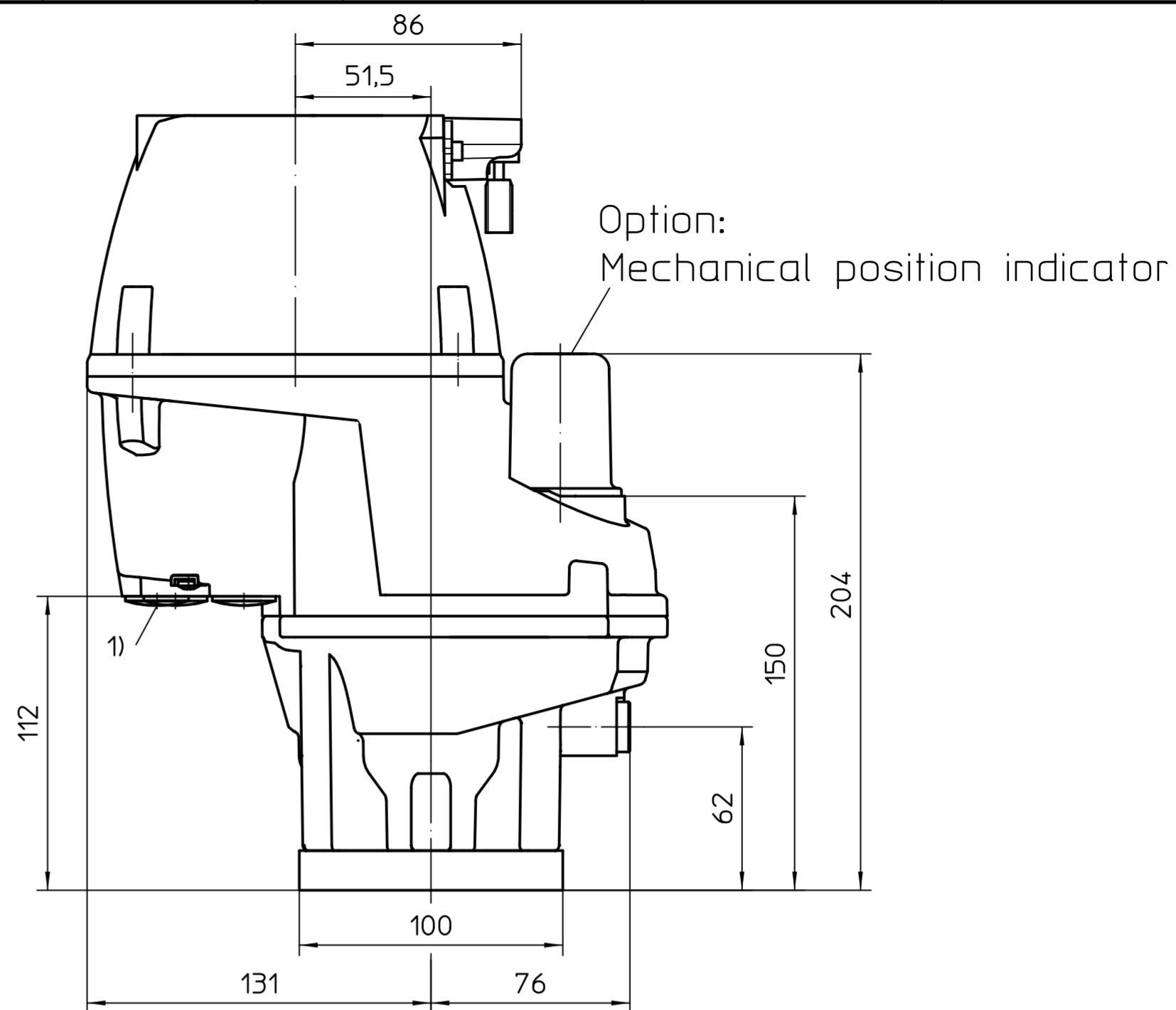
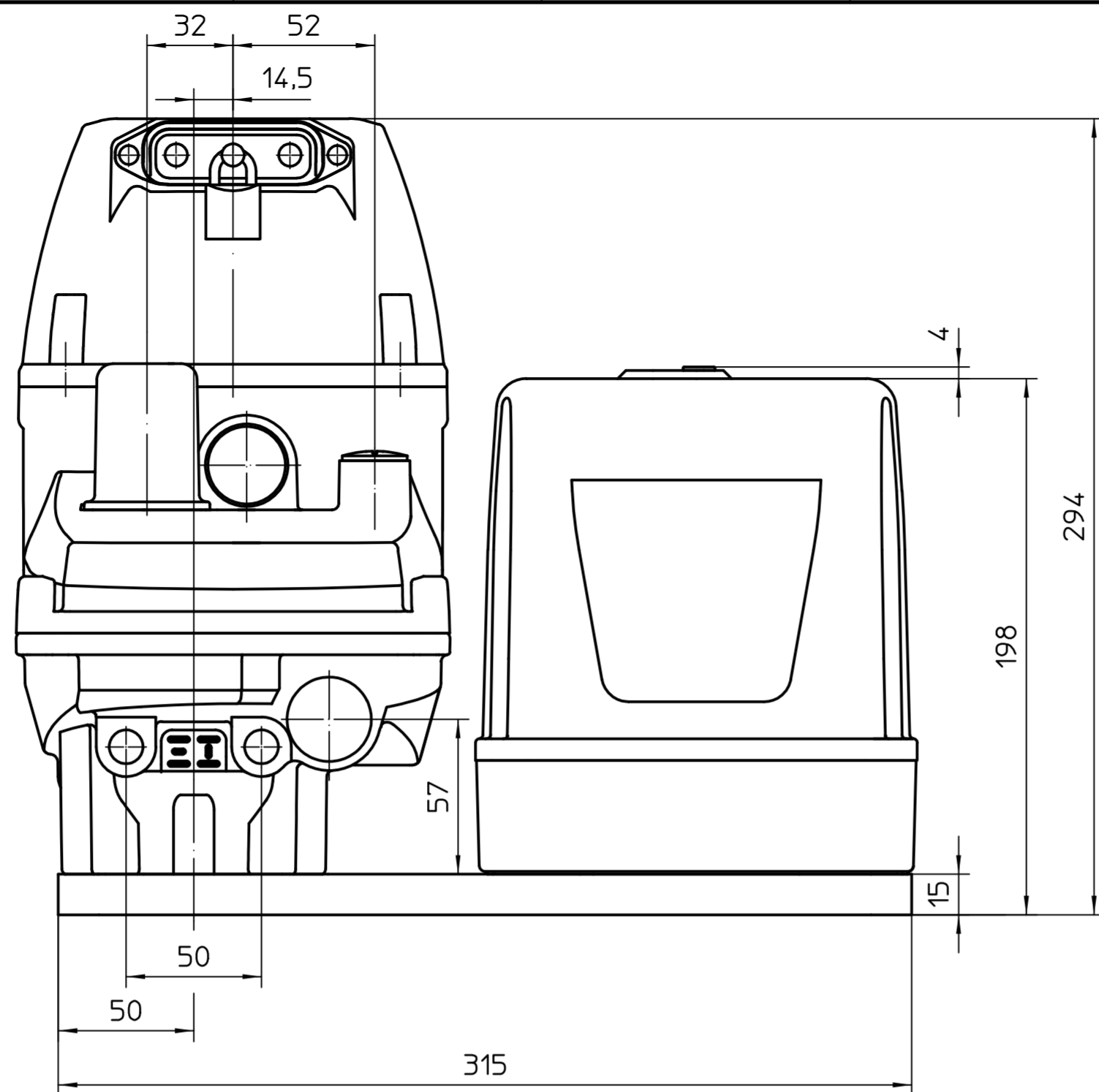
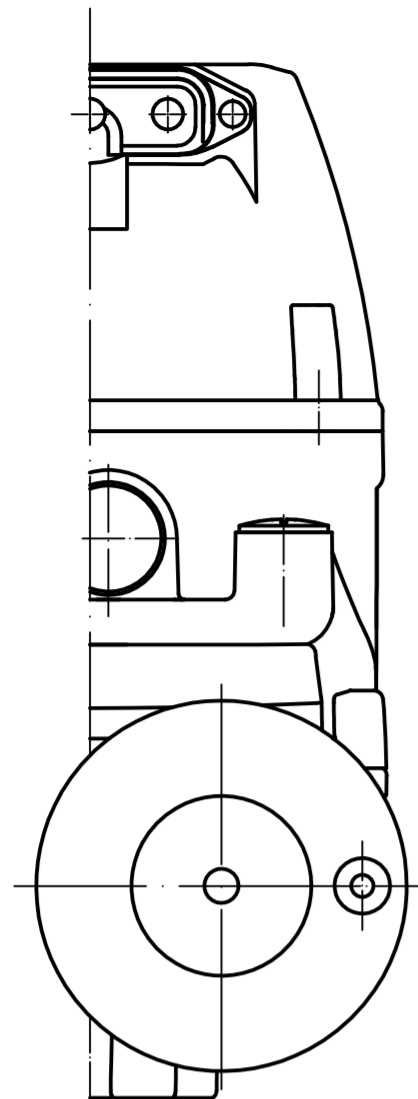


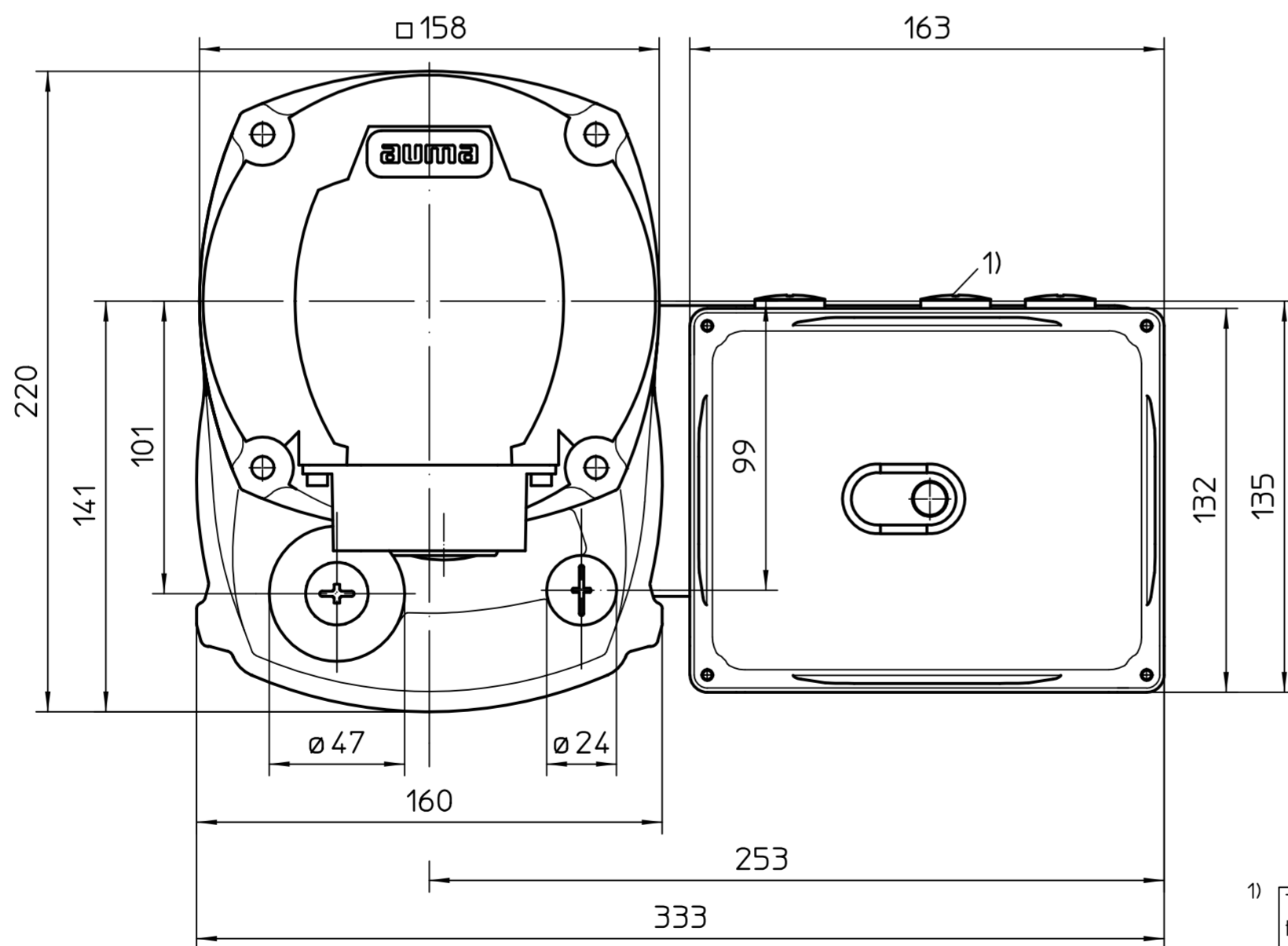
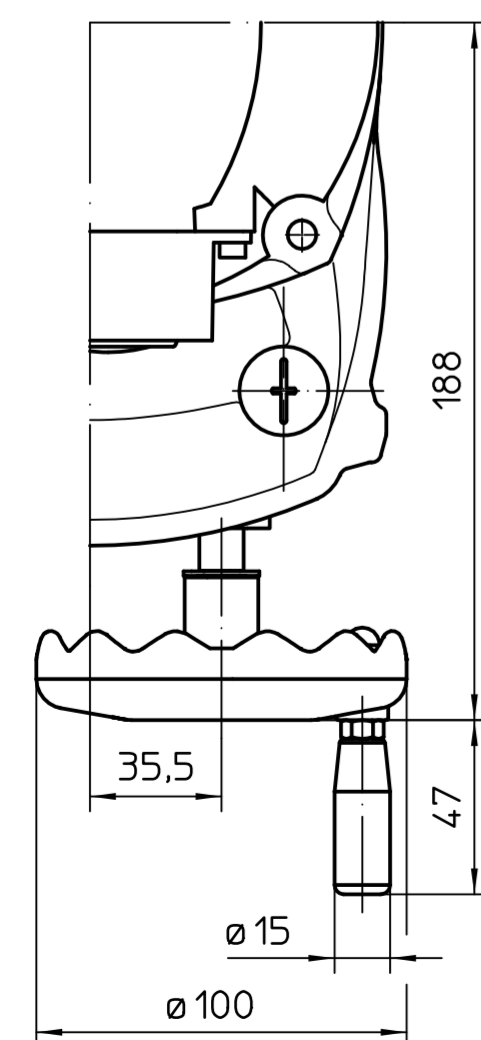
Option: Handwheel



View A
M 1:1



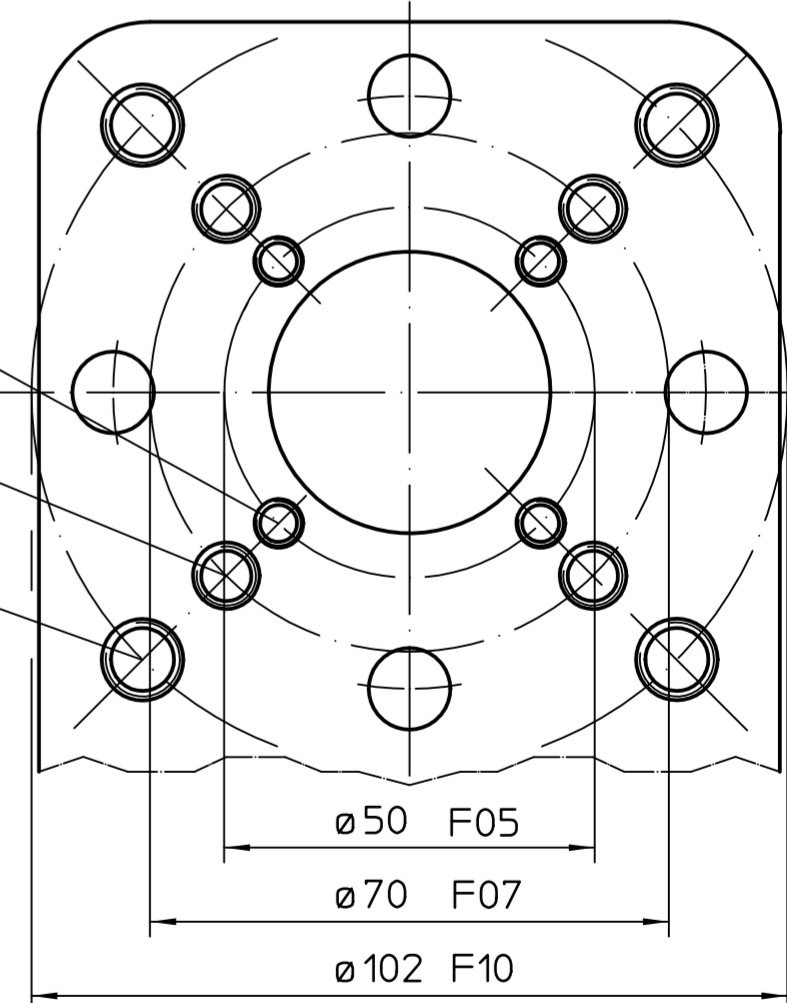
Option: Handwheel



M6x12

M8x15

M10x18



1) Thread for cable entries acc. to order acknowledgement or technical data sheet

All dimensions in mm
For all other dimensions of actuators/gearboxes, refer to the latest dimension sheet issue

State		Revision		Date		Name		Scale		1:2		 AUMA Riester GmbH & Co. KG	
Edited		2024-05-02		Goltsev				Date		Name		PF-Q80/PF-Q150-local_controls UPS module	
Checked		2025-12-10		VeeraBrahma				Ret.		2025-12-10		Goltsev	
AUMA Riester GmbH & Co. KG		P.O. Box 1362		79373 Muellheim/Germany		Tel. +49 7631 809-0		Fax +49 7631 13218		U2.8003		Page 1 Qty 1	