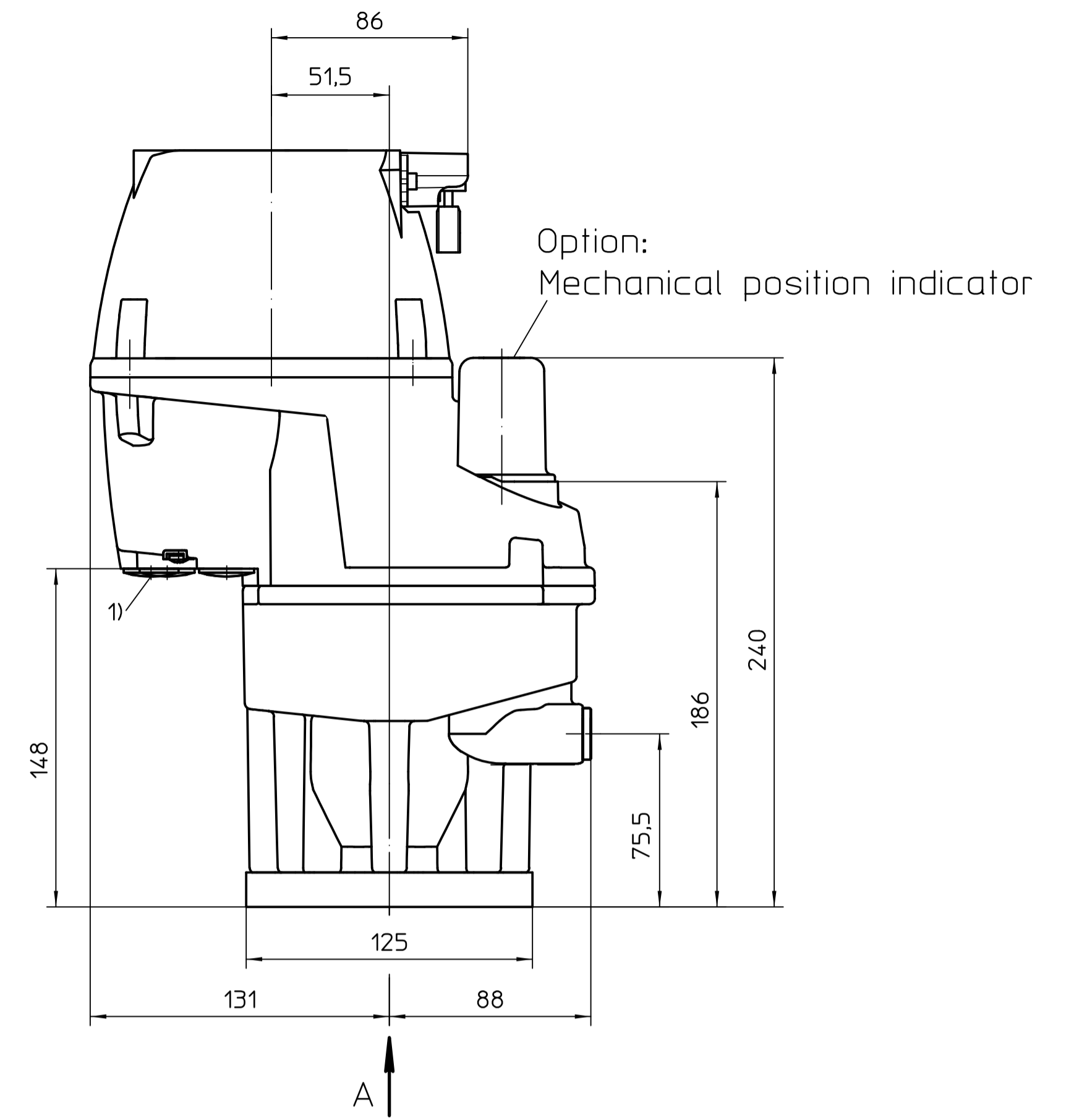
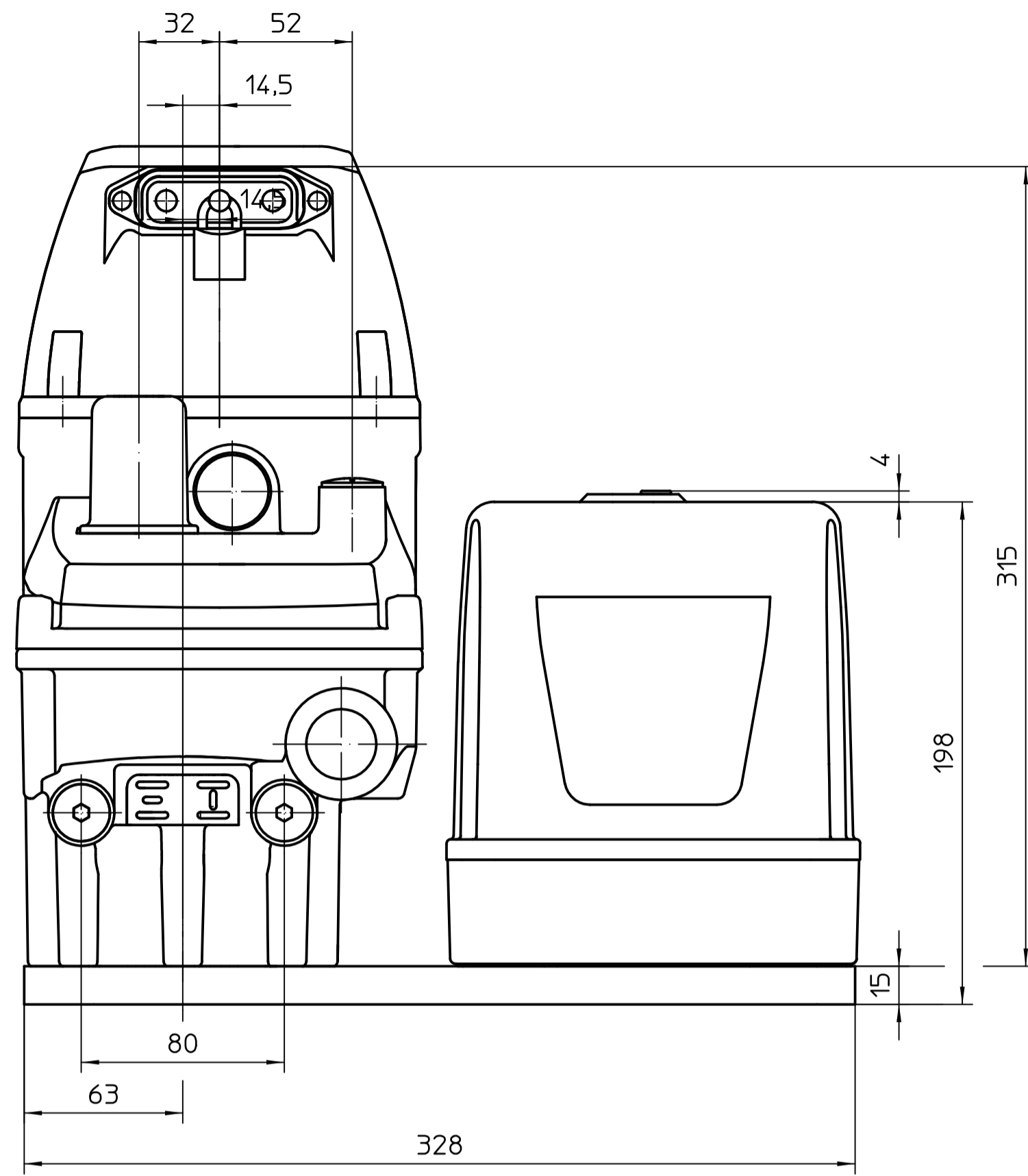
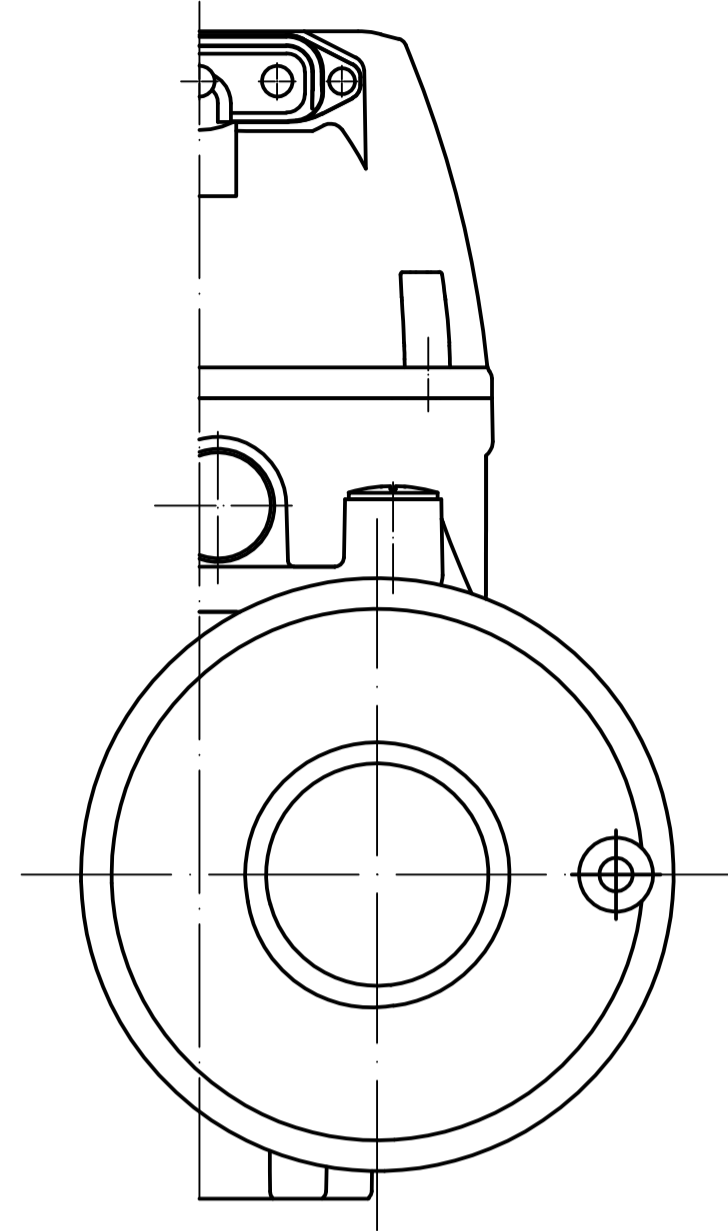
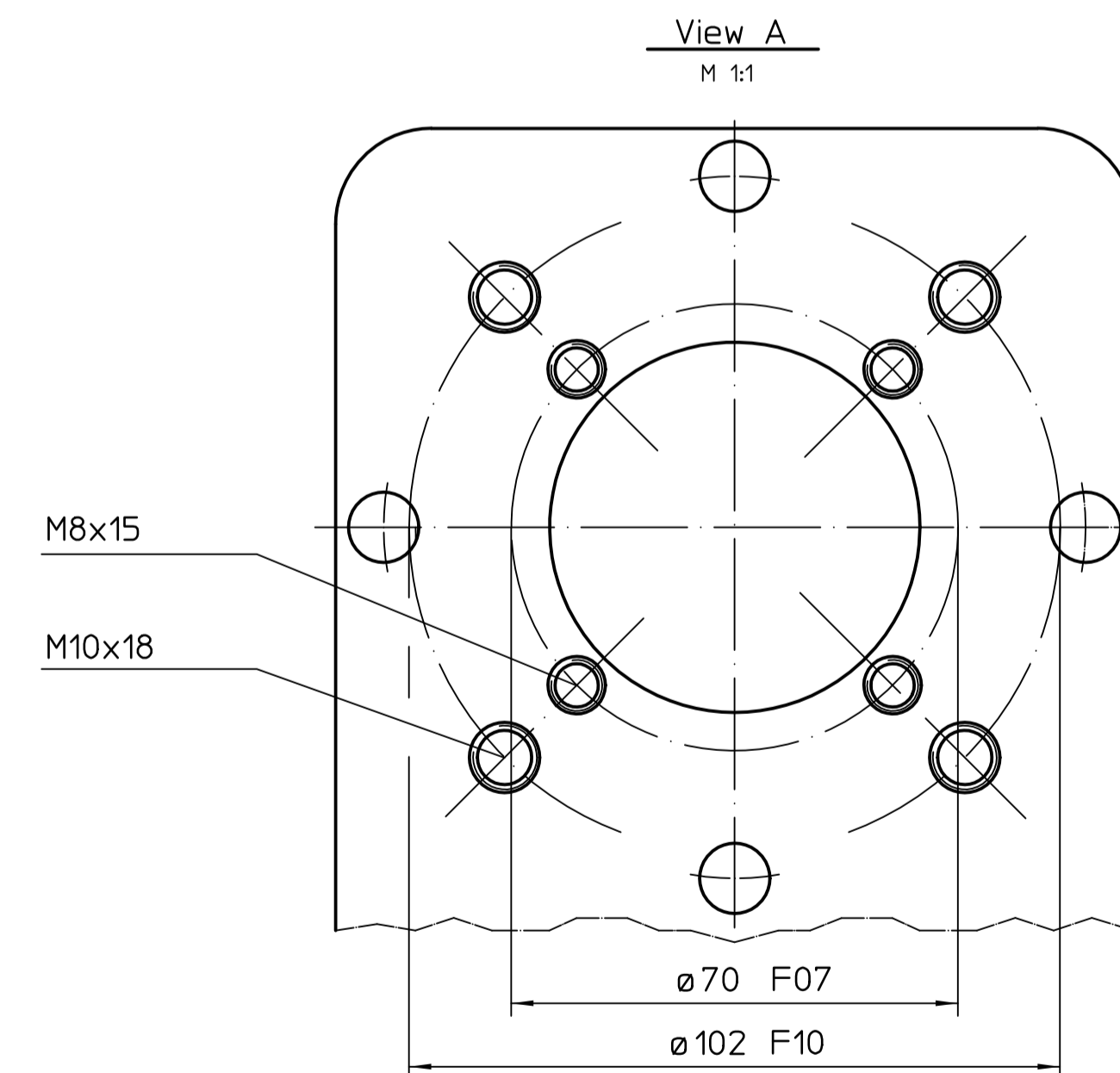
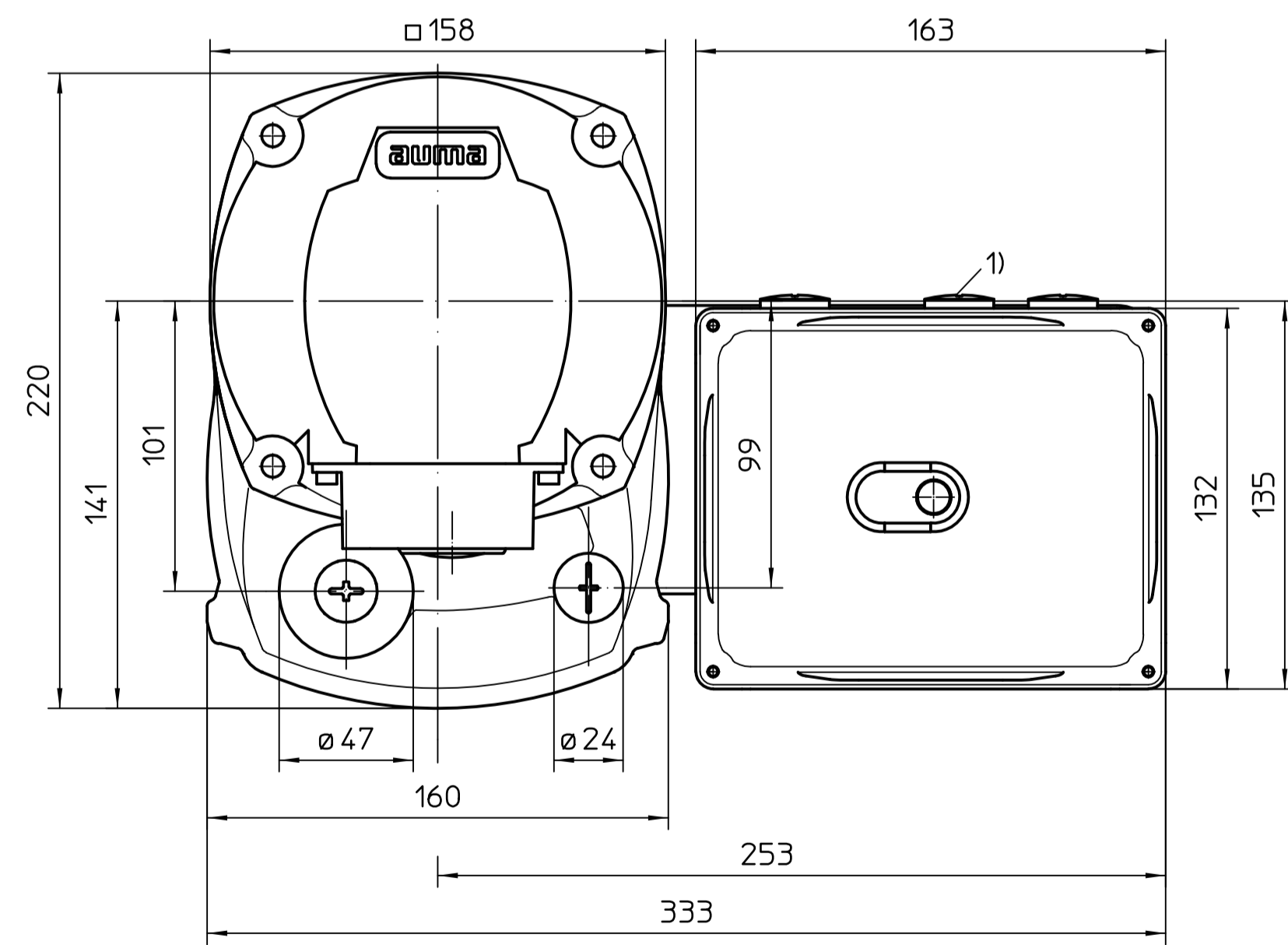
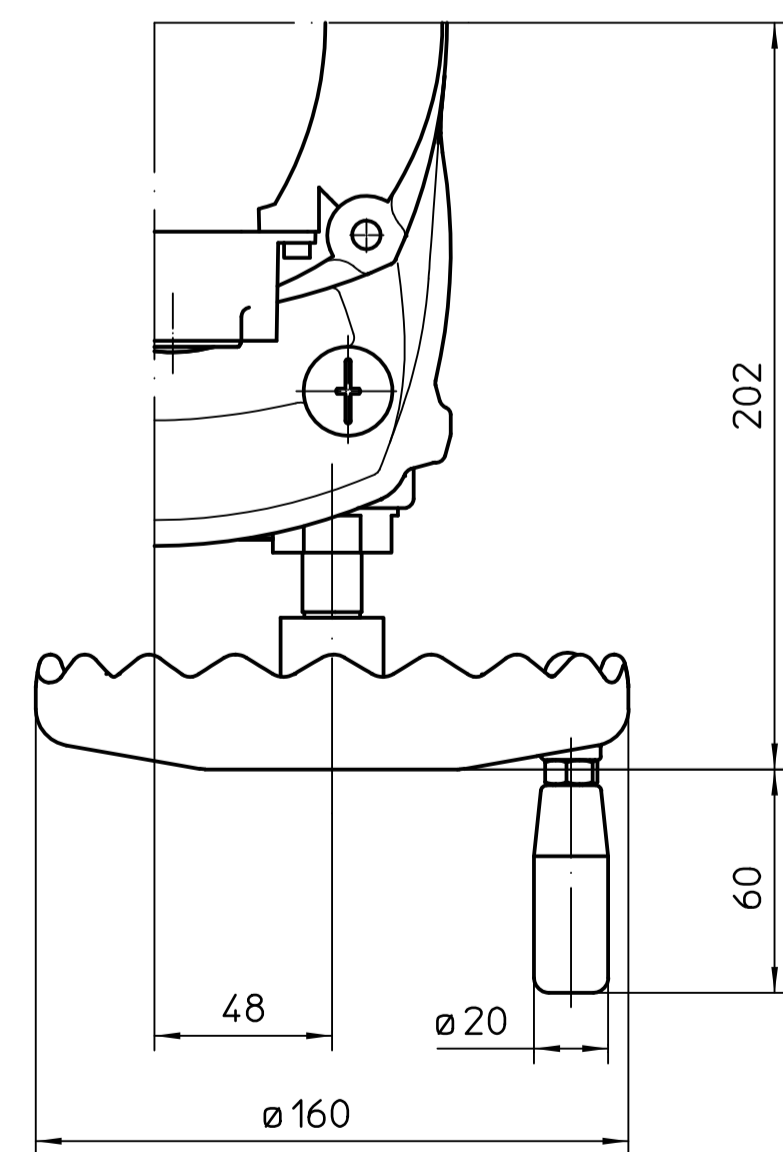


Option: Handwheel



Option: Handwheel



<sup>1)</sup> Thread for cable entries acc. to order acknowledgement or technical data sheet

Scale 1:2		 AUMA Riester GmbH & Co. KG							
<table border="1"> <tr> <th>Date</th> <th>Name</th> </tr> <tr> <td>Edited 2024-06-25</td> <td>Gollsev</td> </tr> <tr> <td>Checked 2025-12-10</td> <td>VeeraBrahma</td> </tr> <tr> <td>Ret. 2025-12-10</td> <td>Gollsev</td> </tr> </table>	Date		Name	Edited 2024-06-25	Gollsev	Checked 2025-12-10	VeeraBrahma	Ret. 2025-12-10	Gollsev
Date	Name								
Edited 2024-06-25	Gollsev								
Checked 2025-12-10	VeeraBrahma								
Ret. 2025-12-10	Gollsev								
AUMA Riester GmbH & Co. KG P.O. Box 1362 79373 Muelheim/Germany Tel. +49 7631 809-0 Fax +49 7631 13218		Page 1 Qty 1							

All dimensions in mm  
For all other dimensions of actuators/gearboxes, refer to the latest dimension sheet issue

This drawing is subject to the provisions on copyright protection.