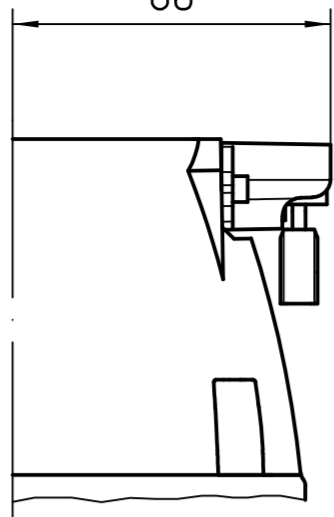
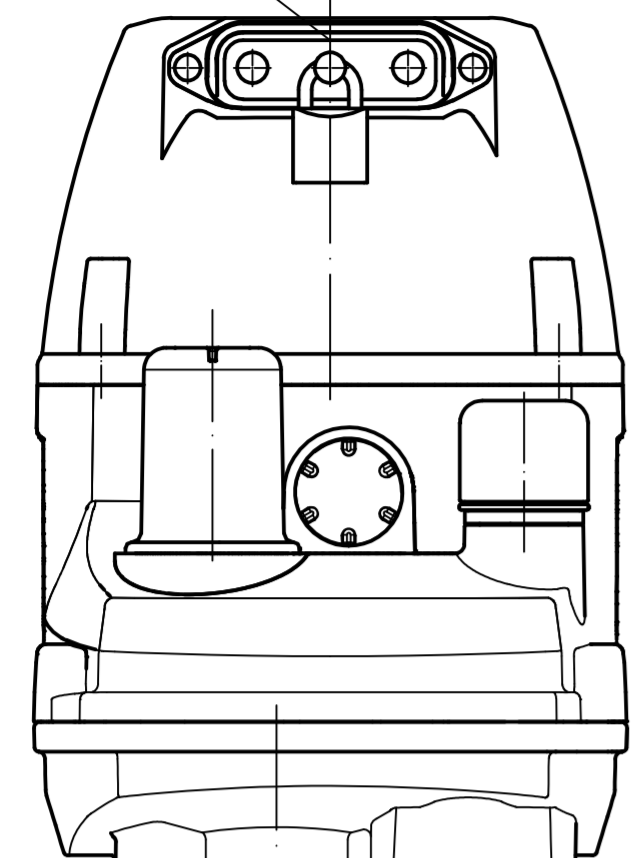


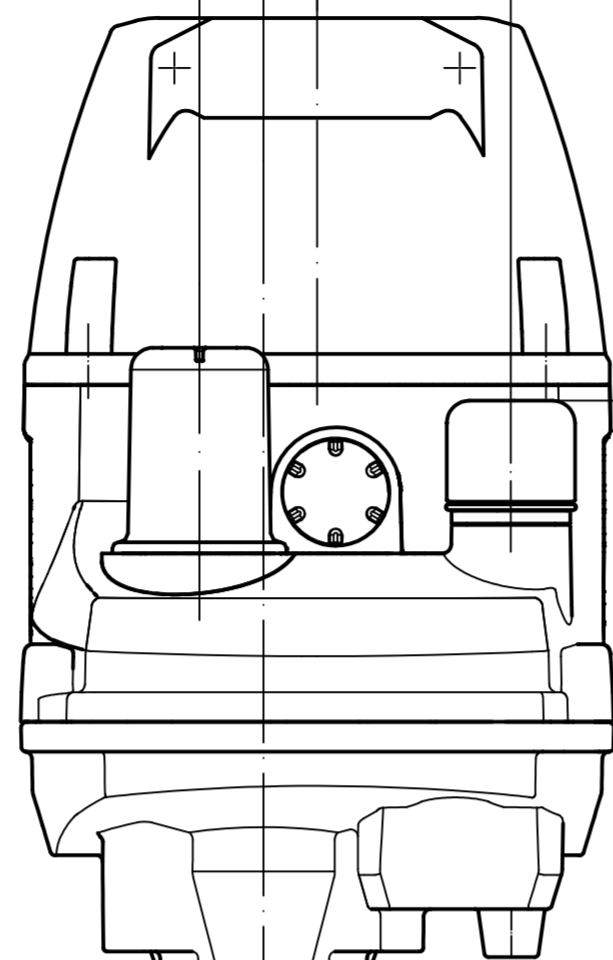
This drawing is subject to the provisions on copyright protection.

Option: local controls

86

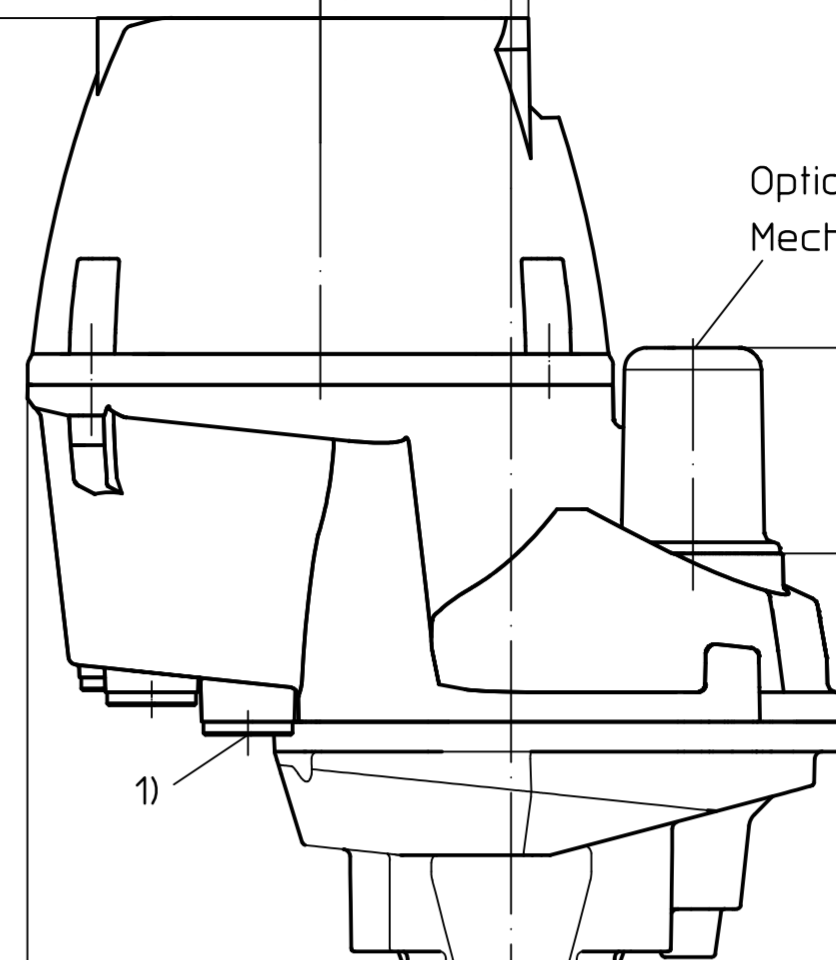


32 52
14,5



253

56
51,5



Option:
Mechanical position indicator

356

1)

166

212

267

Option: connecting ring



26
81

74
25

Option: coupling

□ 24
ø 55

M6x12
ø 25
ø 50
F05
ø 64

SW 24

M12x1,25

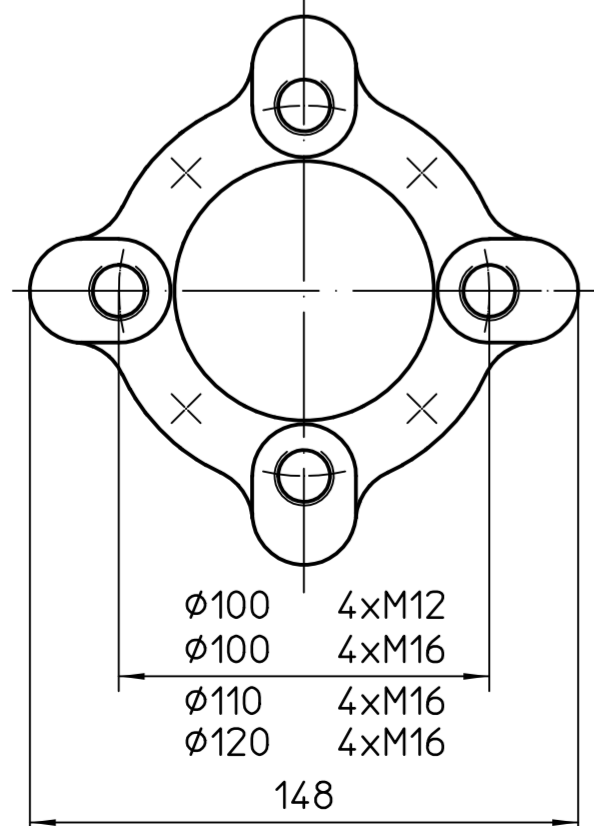
Stroke
60

20

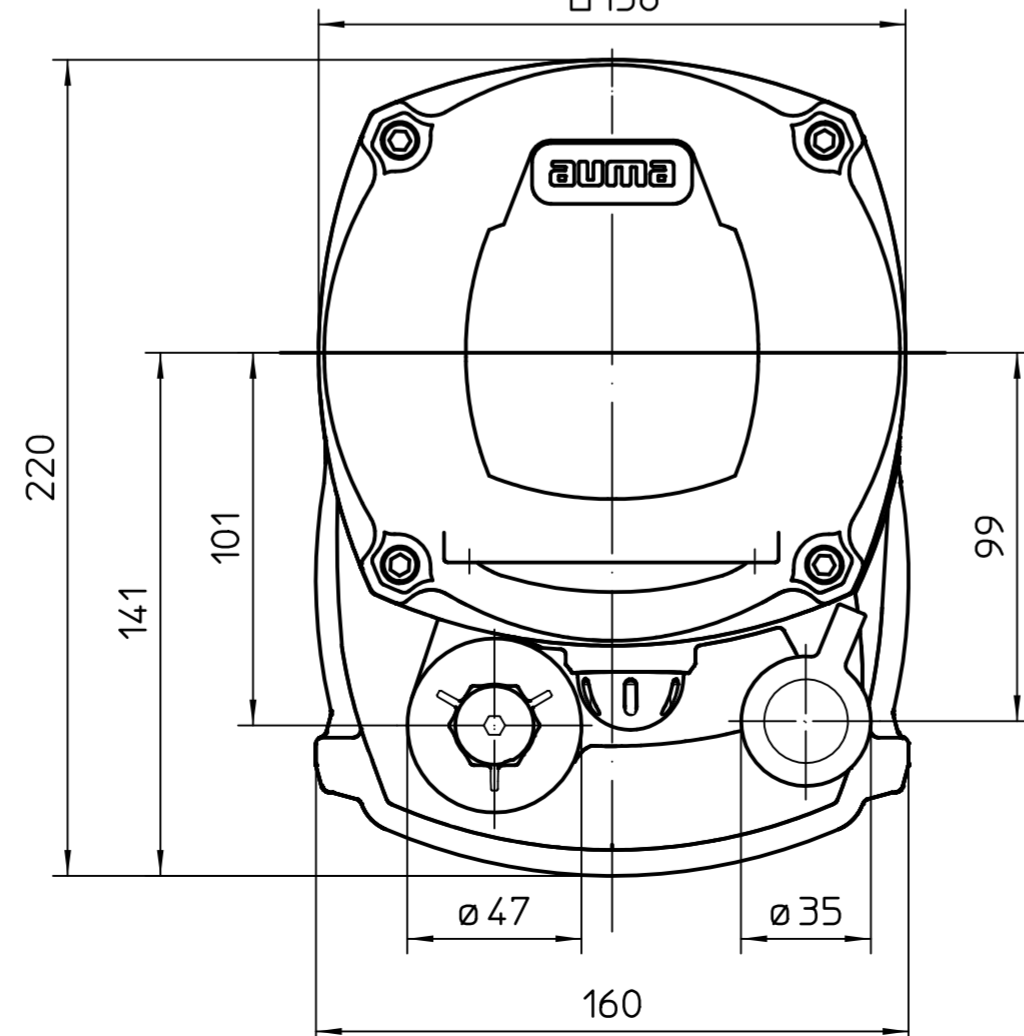
45

131

View A
connecting ring



□ 158



1) Thread for cable entries acc. to order acknowledgement or technical data sheet

All dimensions in mm

For all other dimensions of actuators/gearboxes, refer to the latest dimension sheet issue

				Scale 1:2		 AUMA Riester GmbH & Co. KG	
				Date			
				Edited 2026-05-29		Goltsev	
				Checked 2026-06-01		VeeraBrahma	
				Ret. 2026-06-01		Goltsev	
				AUMA Riester GmbH & Co. KG P.O. Box 1362 79373 Muellheim/Germany Tel. +49 7631 809-0 Fax +49 7631 13218			
01	8730/2026	2026-05-29	Gol				
State	Revision	Date	Name				
				PF-L2 / PF-L3 / PF-L6		U2.8121	
						Page 1 Qty 1	