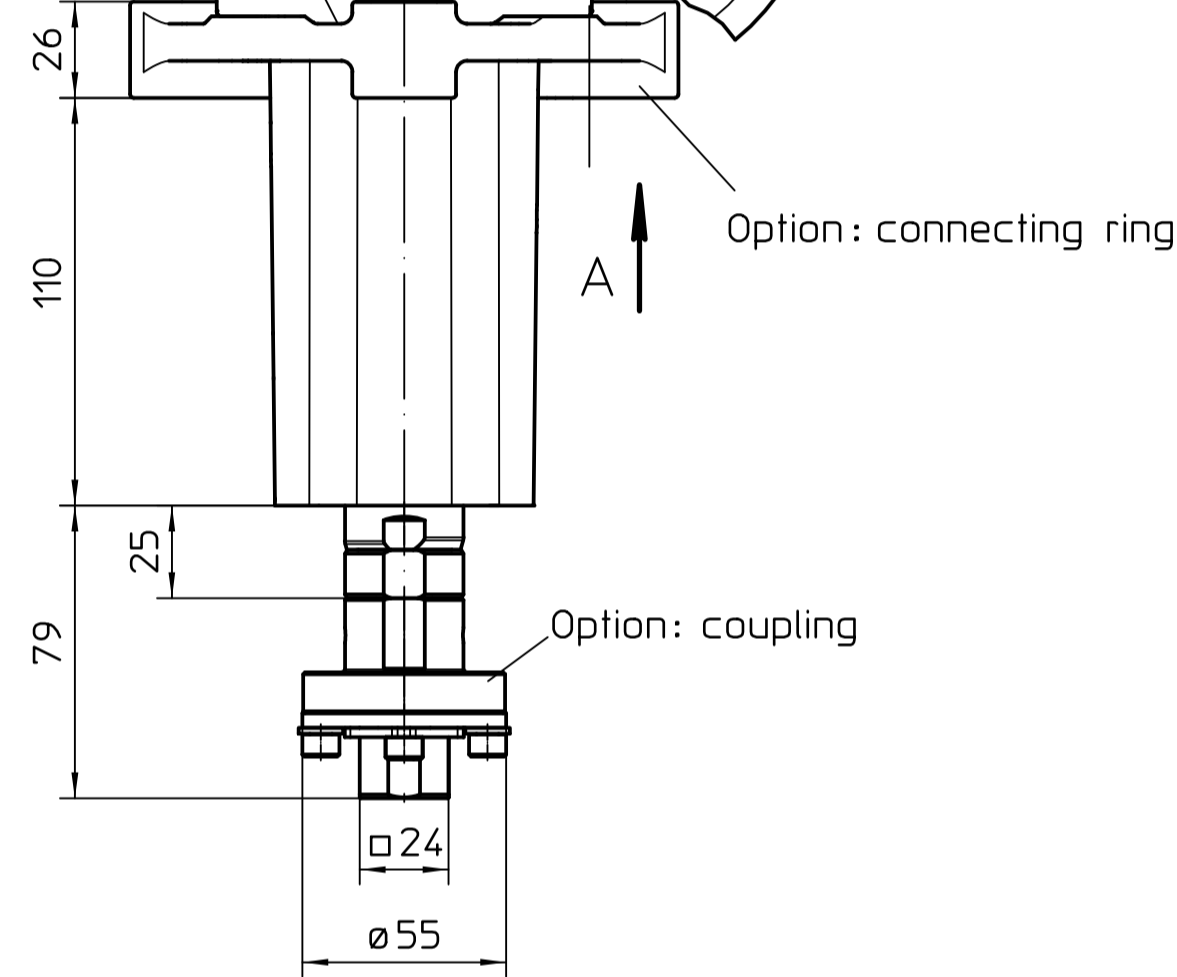
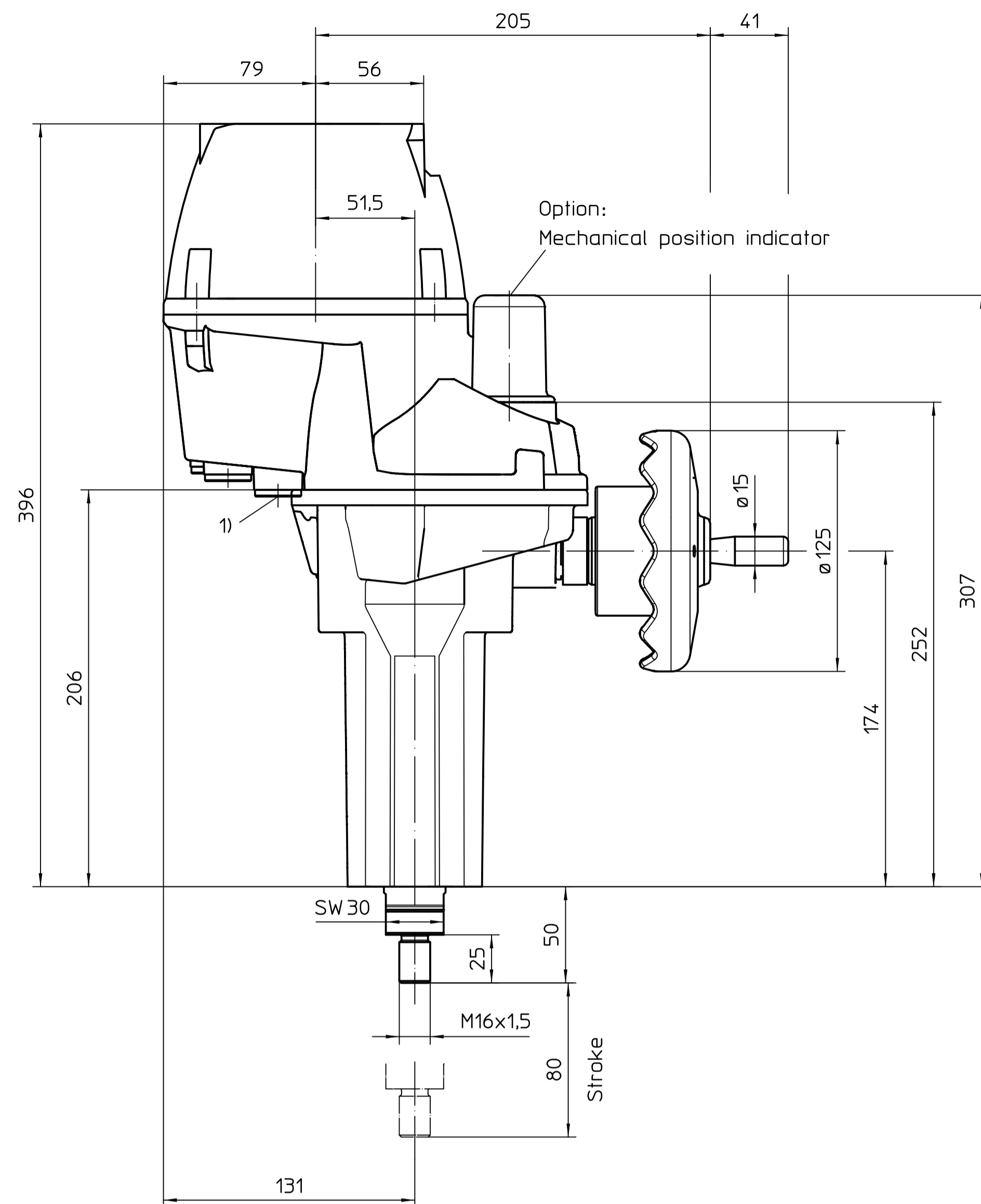
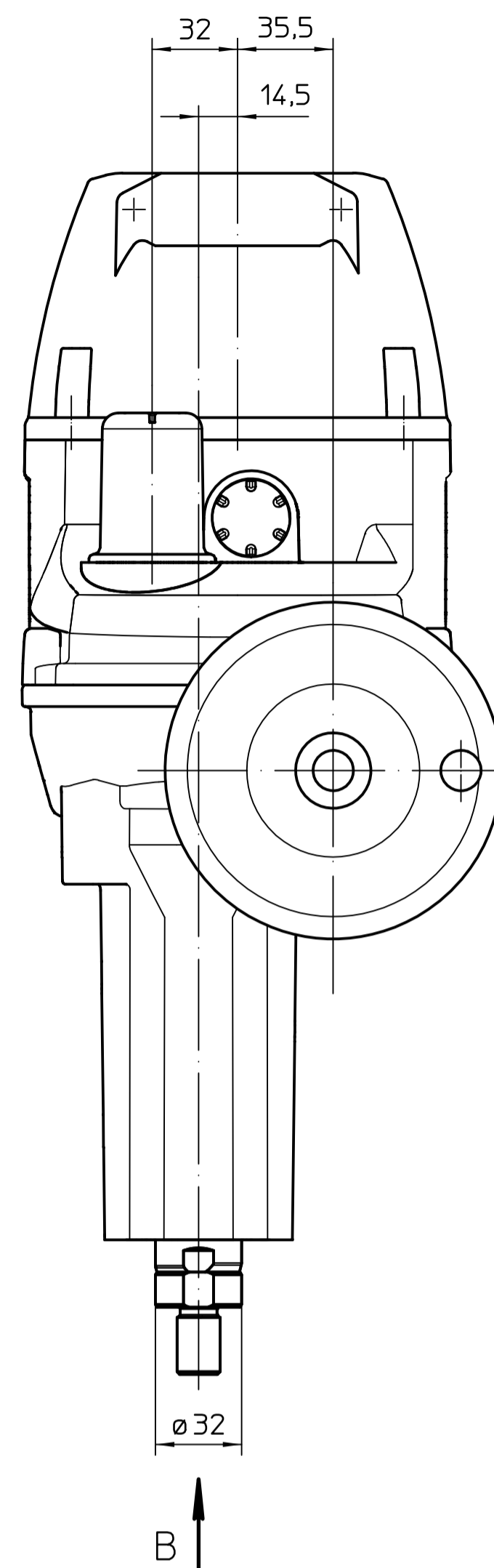
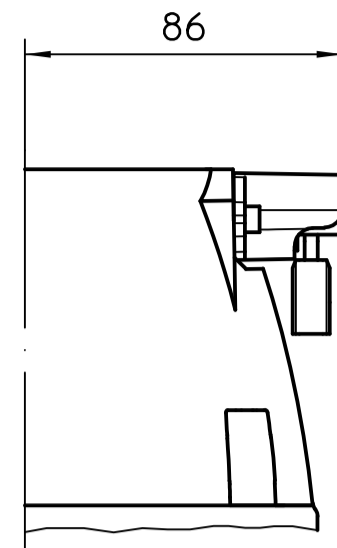
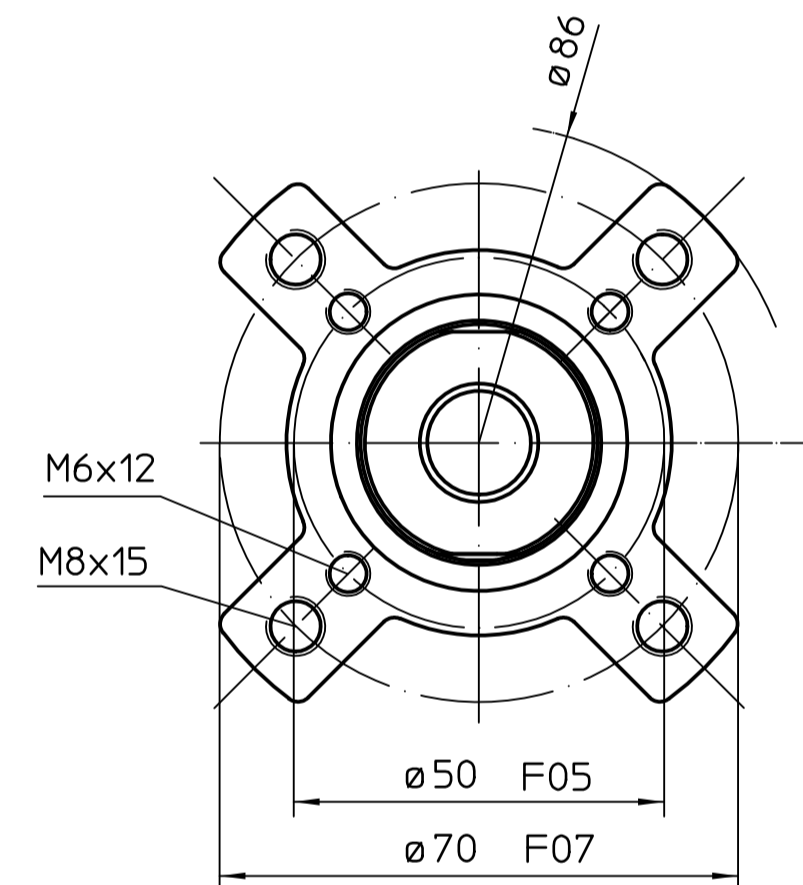


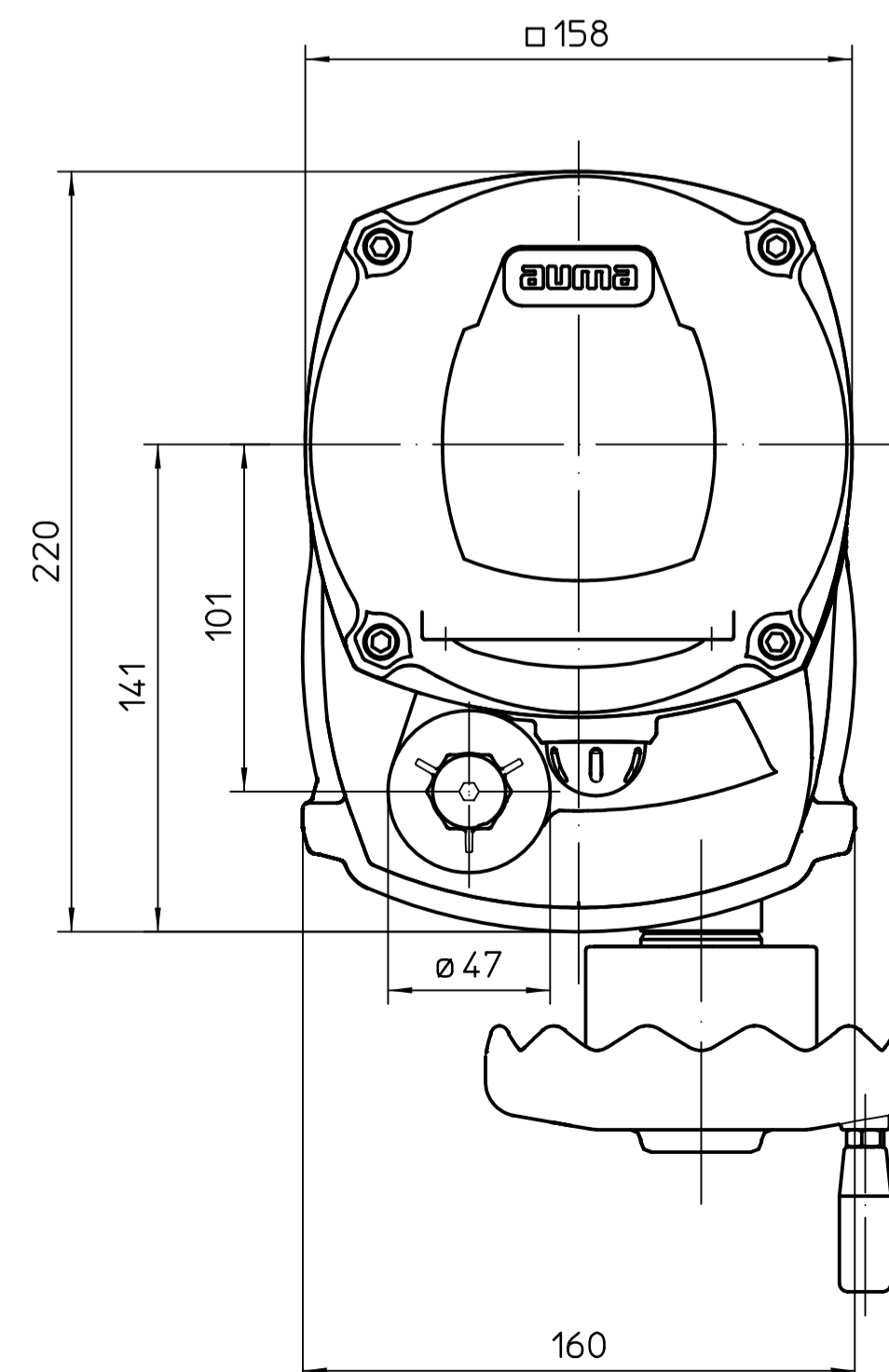
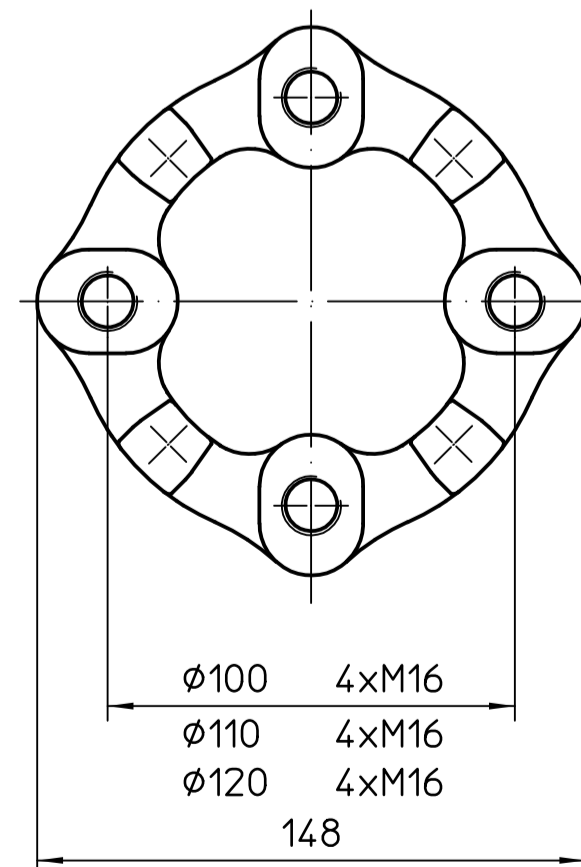
Option: local controls



View B
M 1:1



View A
connecting ring



1) Thread for cable entries acc. to order acknowledgement or technical data sheet!

All dimensions in mm
For all other dimensions of actuators/gearboxes, refer to the latest dimension sheet issue

				Scale 1:2		auma AUMA Riester GmbH & Co. KG	
				Date		Name	
				Edited 2026-05-29		Gottsev	
				Checked 2026-06-01		VeeraBrahma	
				Ret. 2026-06-01		Gottsev	
				AUMA Riester GmbH & Co. KG			
				P.O. Box 1362			
				79373 Muellheim/Germany			
				Tel. +49 7631 809-0			
				Fax +49 7631 13218			
02	8730/2026	2026-05-29	Gol				
01	4347/2025	2025-02-20	Gol				
State	Revision	Date	Name				
				PF-L10 / PF-L15 / PF-L18		Page 1	
				U1.8122		Qty 1	