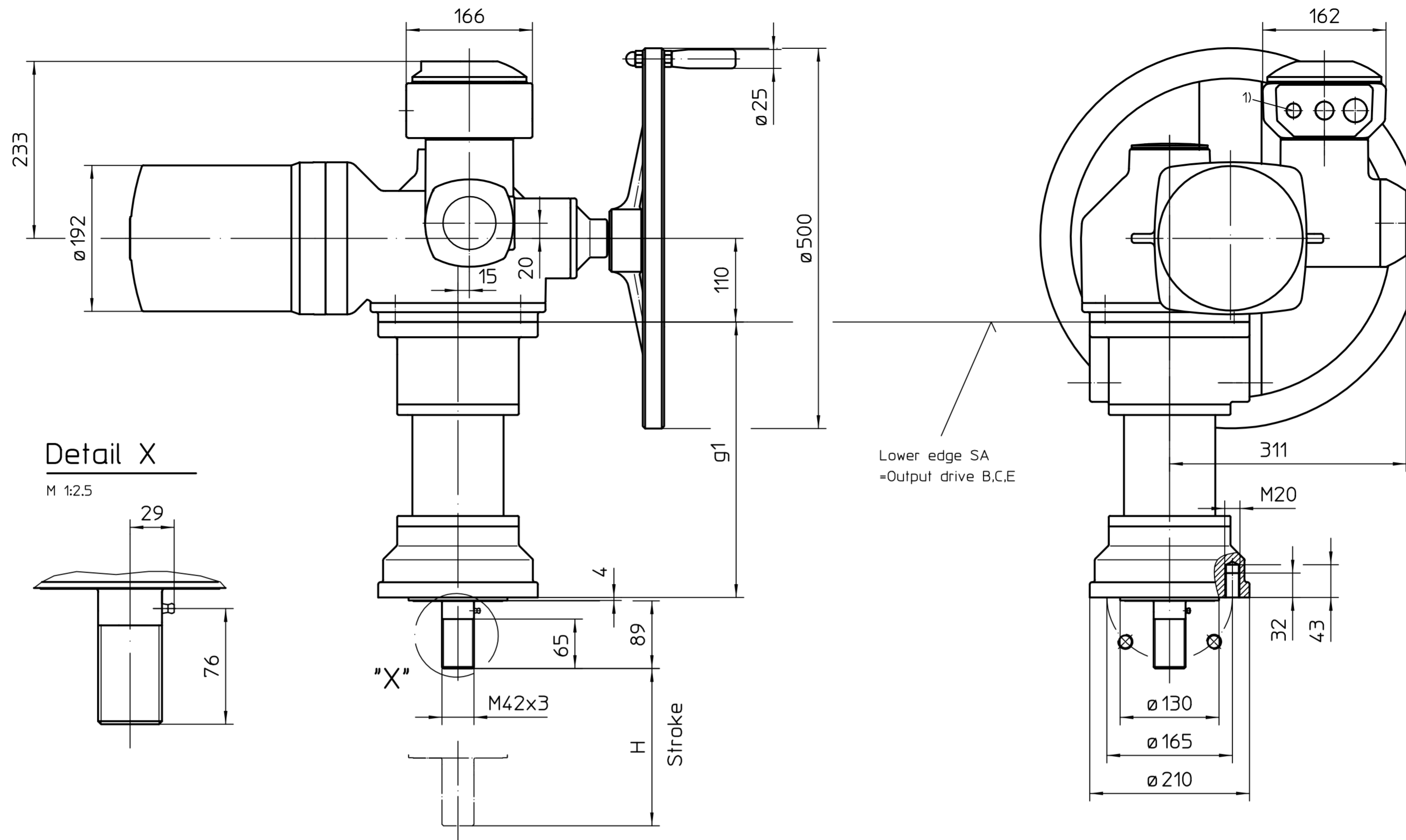
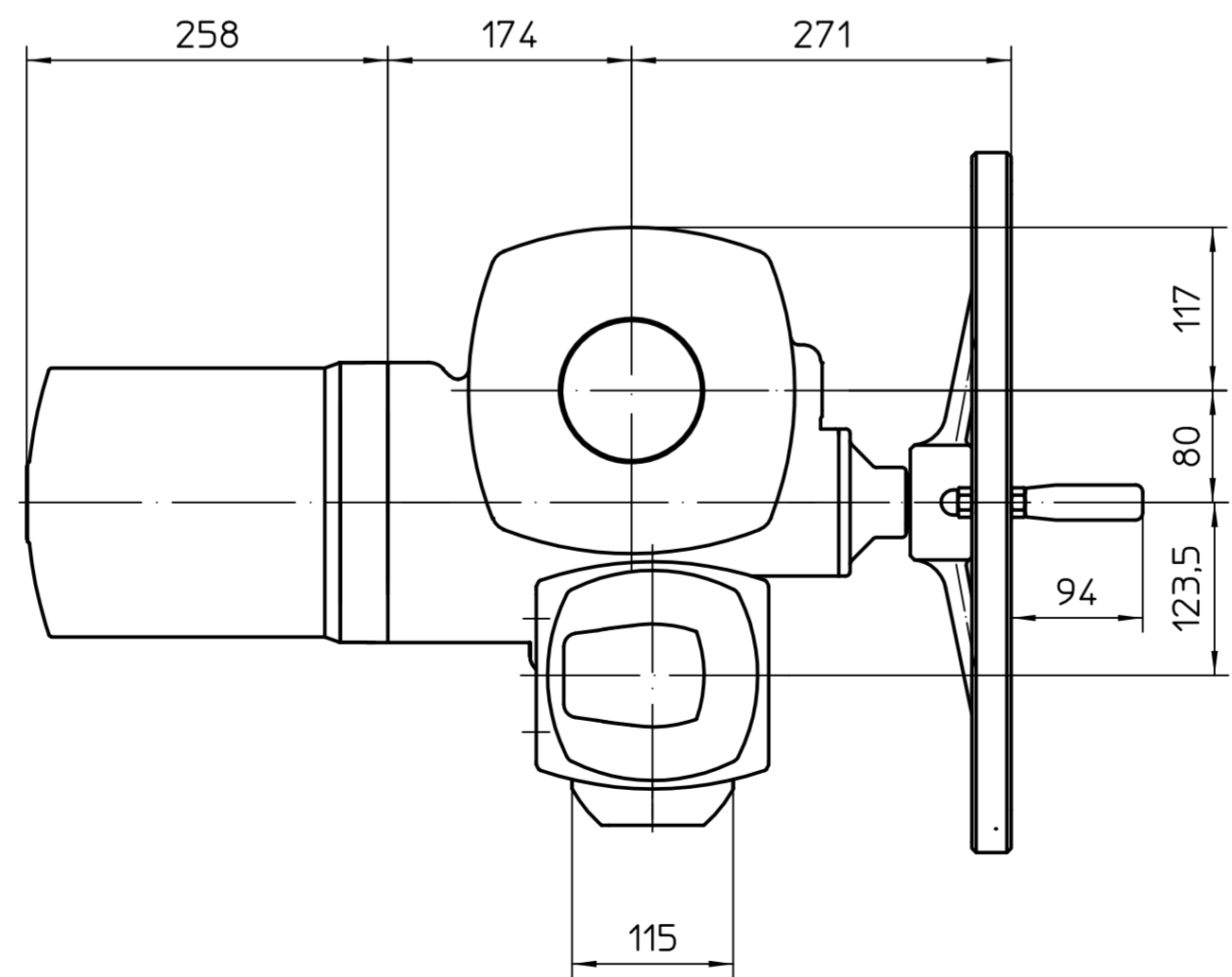
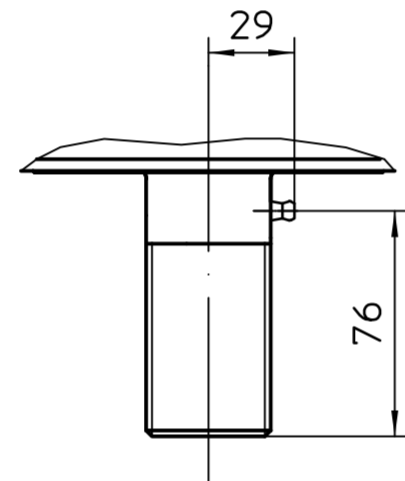


Standard version KT Exe

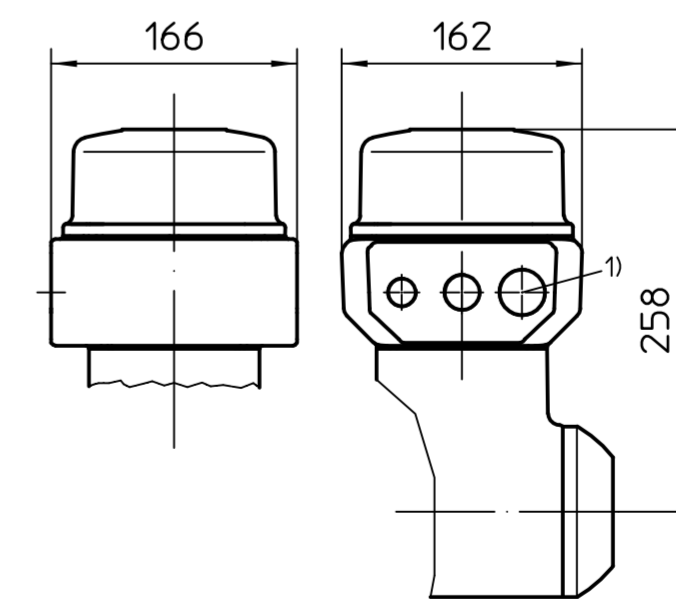


Detail X

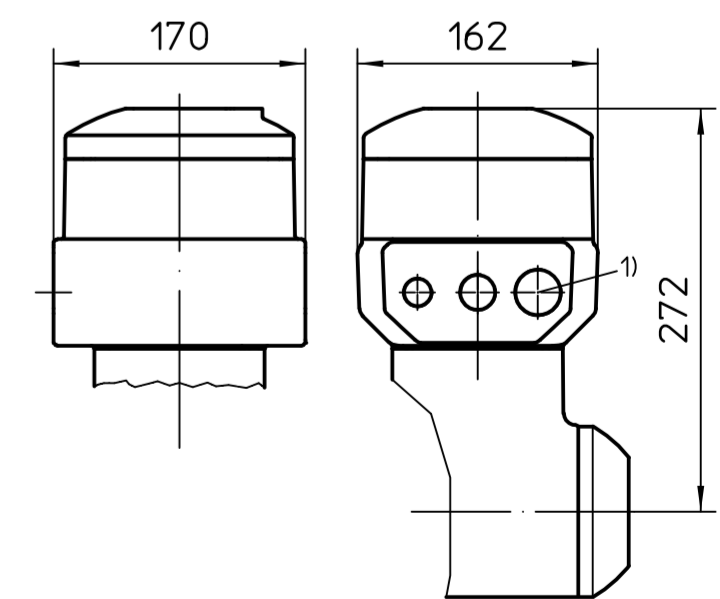
M 1:2.5



Version KM Exe



Version KT Exd
Version KM Exd




¹⁾ Thread for cable entries acc. to order acknowledgement or technical data sheet

Stroke as option H

g1	max. mm
362	100
462	200
662	400
762	500

All dimensions in mm

For all other dimensions of actuators/gearboxes, refer to the latest dimension sheet issue

State		Revision		Date		Name		Scale		1:5		 AUMA Riester GmbH & Co. KG	
Date		Name		Date		Name		Date		Name			
Edited		2025-10-07		DvyaPrakashKS		Checked		2025-10-09		Goltsev		SA(R)Ex16.2-LE200.1 U2.8344	
Ret.		2025-10-09		DvyaPrakashKS		AUMA Riester GmbH & Co. KG		Postfach 1362		D-79373 Müllheim			
Fax		07631/809-0		Fax		07631/13218		KT / KM				Qty 1	

This drawing is subject to the provisions on copyright protection.