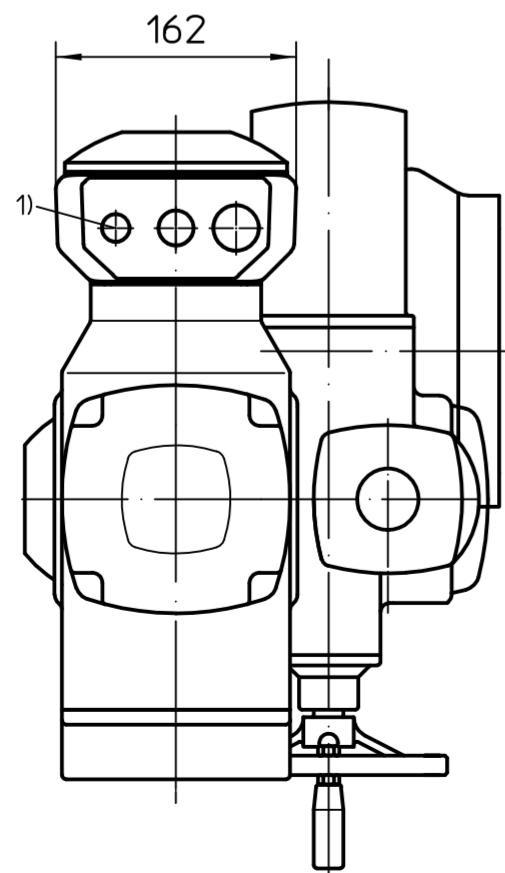
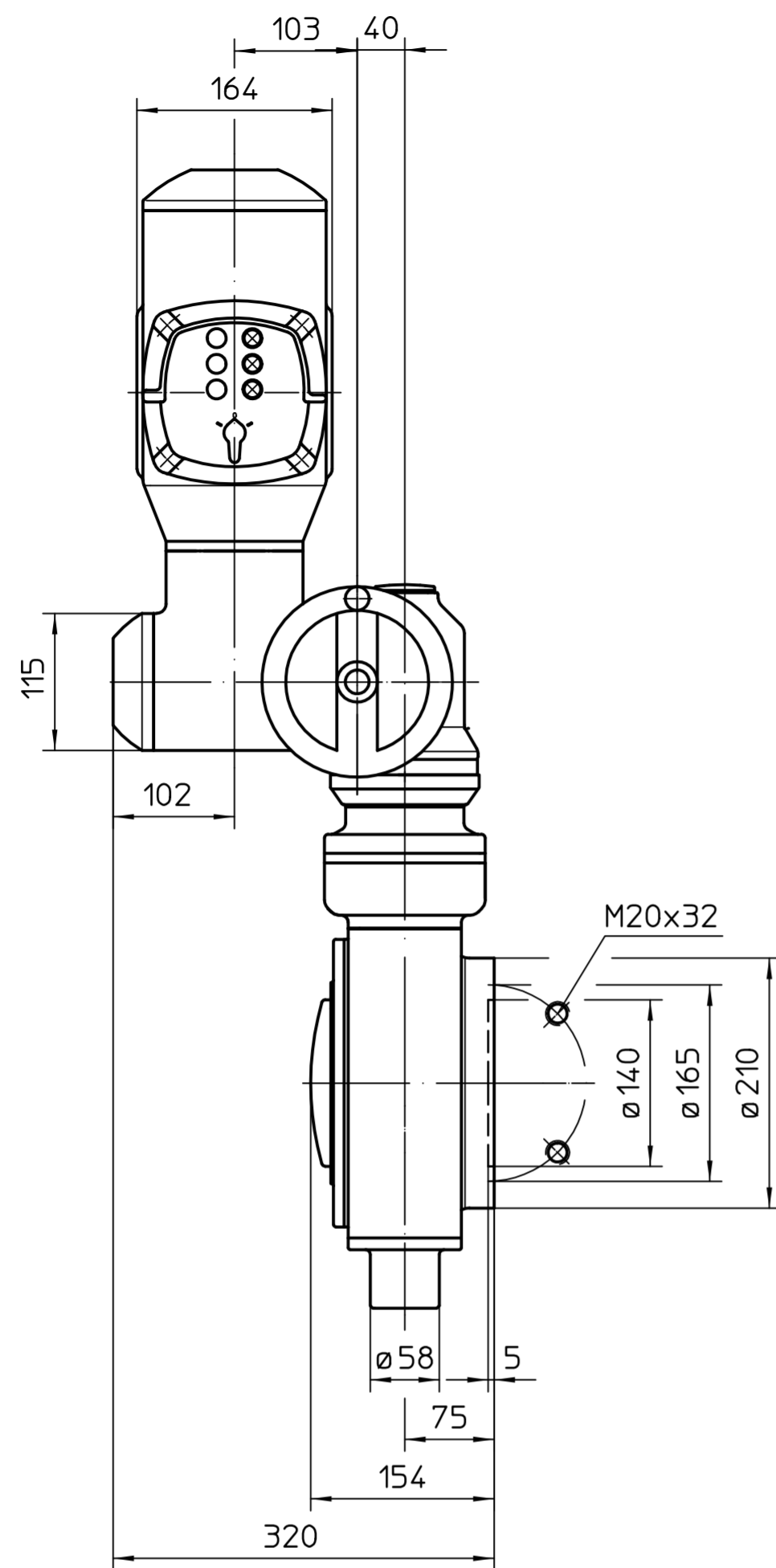
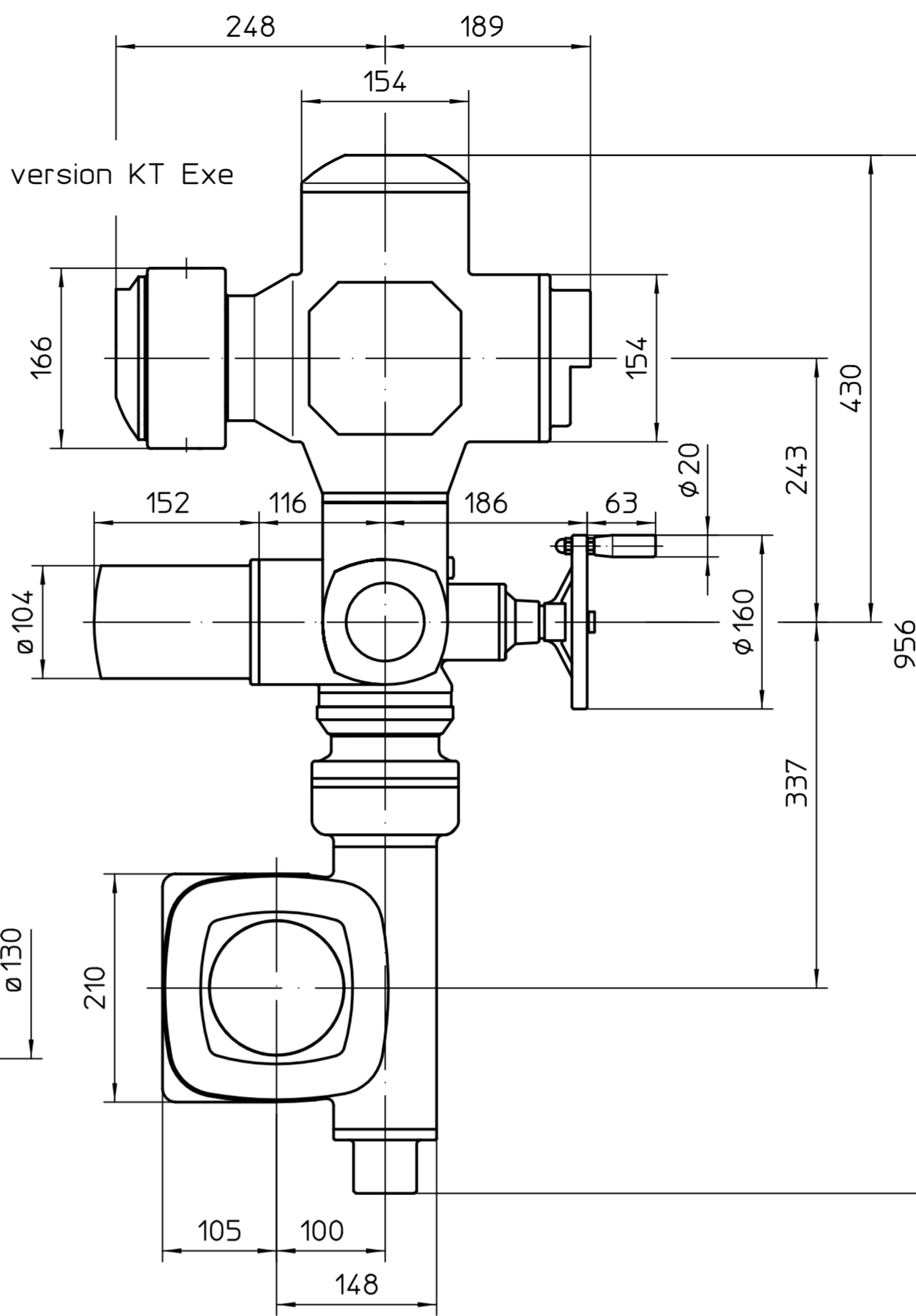


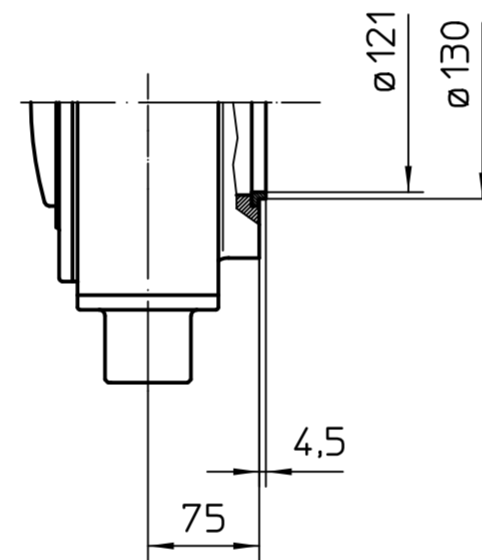
This drawing is subject to the provisions on copyright protection.



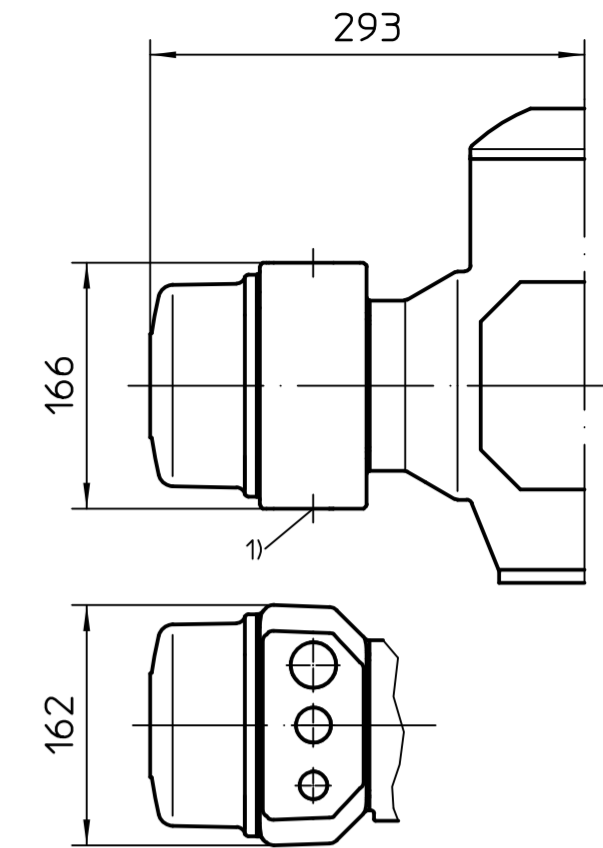
Standard version KT Exe



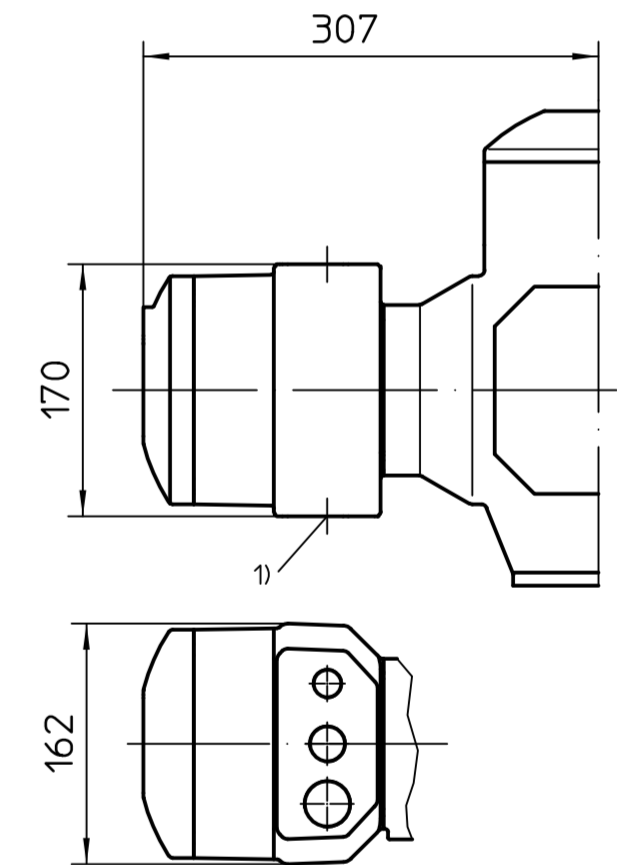
Option Y



Version KM Exe



Version KT Exd  
Version KM Exd




All dimensions in mm

For all other dimensions of actuators/gearboxes, refer to the latest dimension sheet issue

1) Thread for cable entries acc. to order acknowledgement or technical data sheet

\* also valid for: SAEx07.6  
Mounting position A

State		Revision	Date	Name	Scale	 AUMA Riester GmbH & Co. KG
Edited 2026-02-02   Gen Quados, Sewyt Checked 2026-02-10   Goltsev Ret. 2026-02-10   VeeraBrahman					1:5	
AUMA Riester GmbH & Co. KG P.O. Box 1362 79373 Muelheim/Germany Tel. +49 7631 809-0 Fax +49 7631 13218						SA(R)Ex07.2-AM -GS100.3-F16-RR-RL U2.8380
* - SAEx07.6 - 126:1 / 160:1 / 208:1 - KT / KM						Page 1 Qty 1