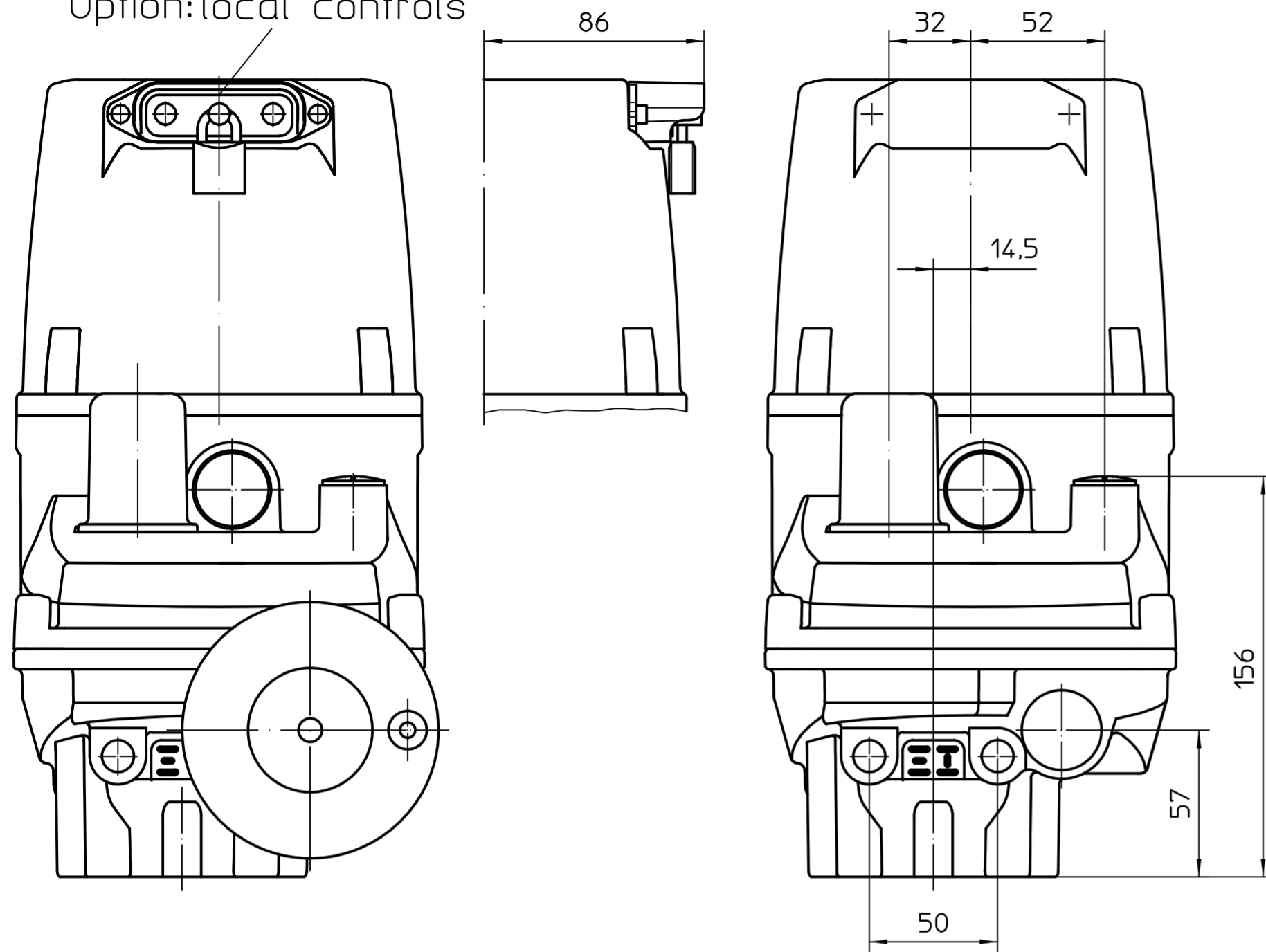
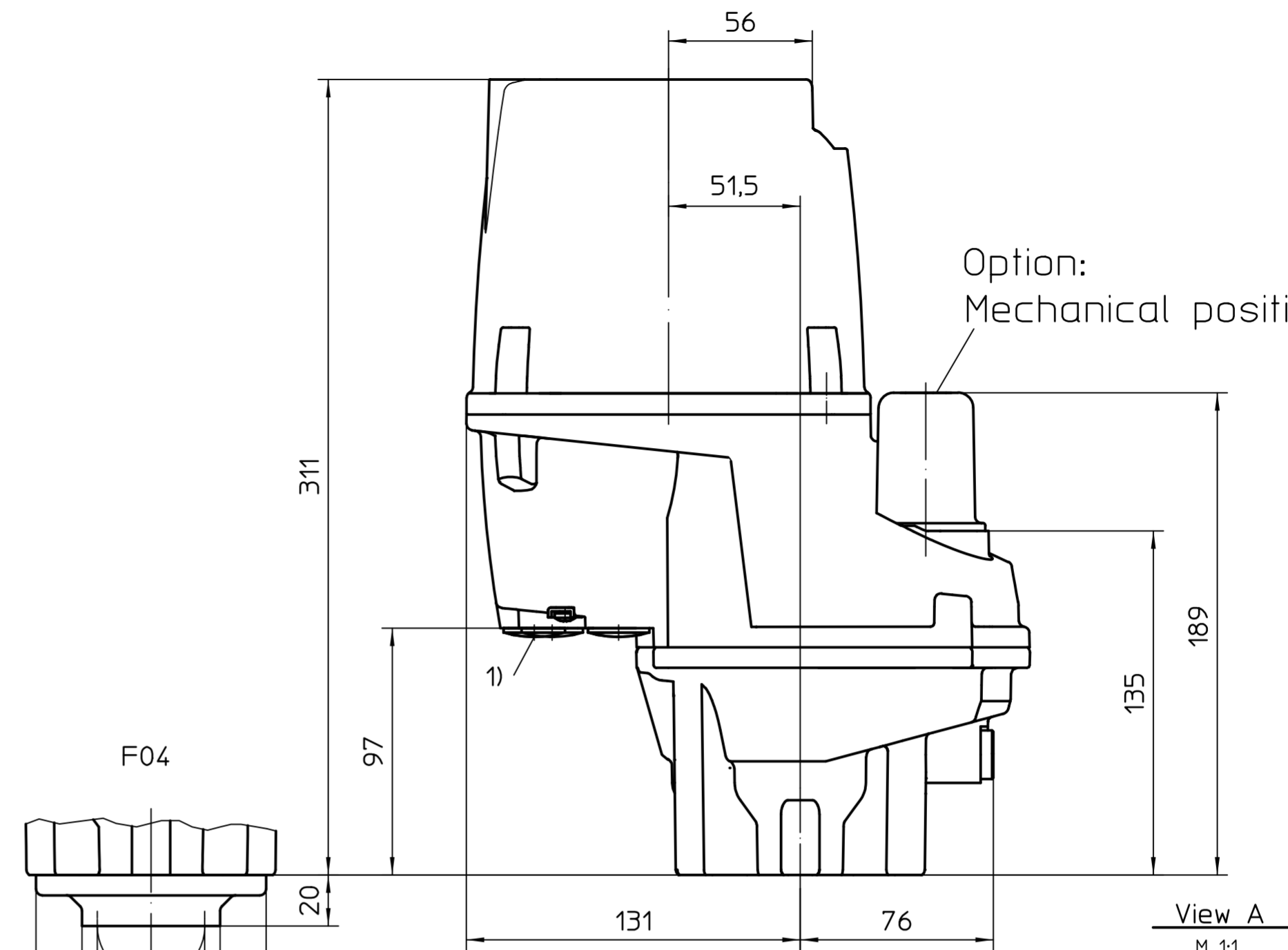


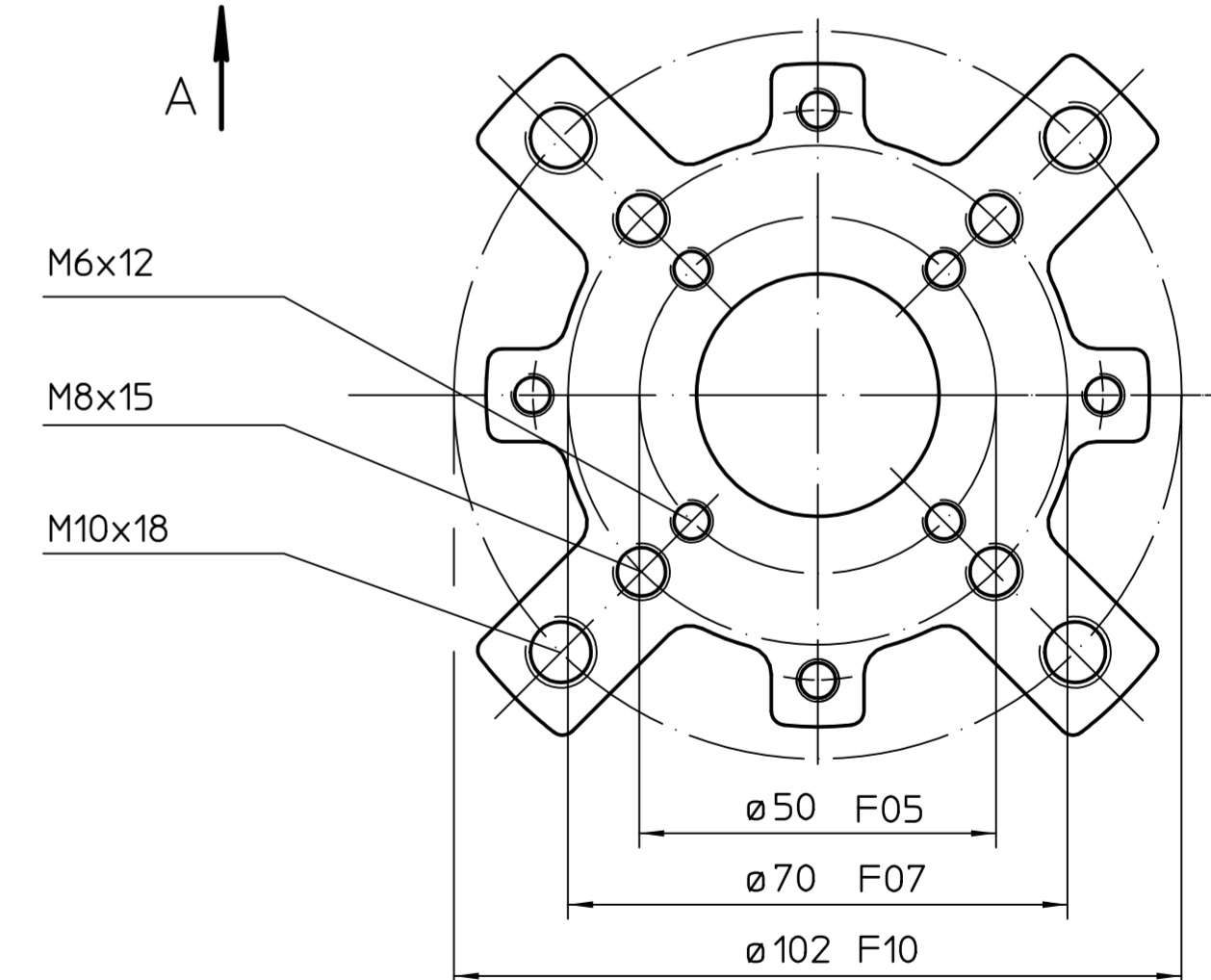
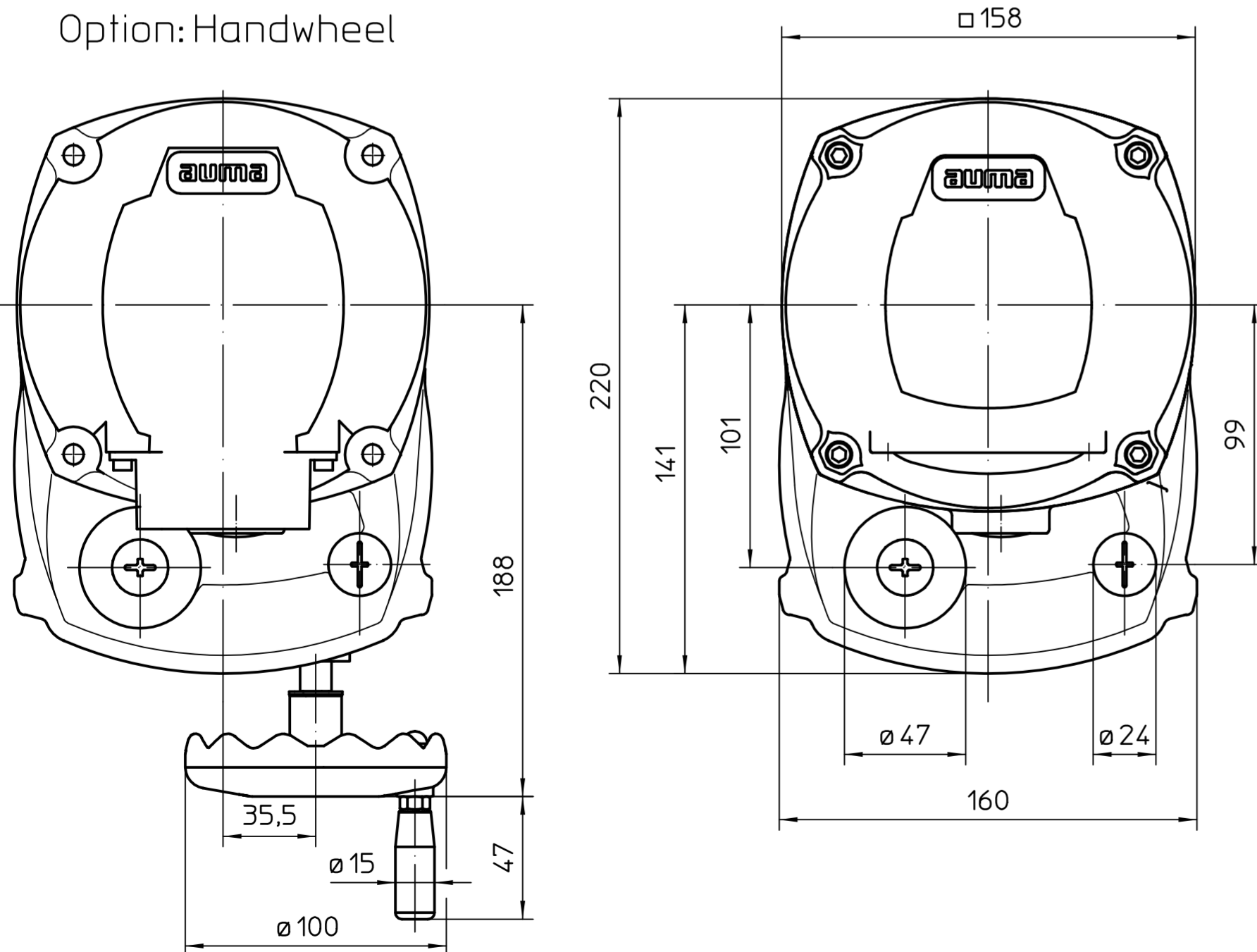
Option: Handwheel  
Option: local controls



Option:  
Mechanical position indicator




Option: Handwheel



<sup>1)</sup> Thread for cable entries acc. to order acknowledgement or technical data sheet

All dimensions in mm  
For all other dimensions of actuators/gearboxes, refer to the latest dimension sheet issue

State		Revision	Date	Name	Scale	 <b>AUMA</b> <sup>®</sup> AUMA Riester GmbH & Co. KG	<b>PF-Q80/PF-Q150-OSS</b>	Page 1 Qty 1
Edited		2026-03-26	Goltsev	Date	1:2			
Checked		2026-04-01	VeeraBrahma	Name				
Ret.		2026-04-01	Goltsev					
AUMA Riester GmbH & Co. KG P.O. Box 1362 79373 Muellheim/Germany Tel. +49 7631 809-0 Fax +49 7631 13218					<b>U2.8427</b>			
					3ph and/or level V4			