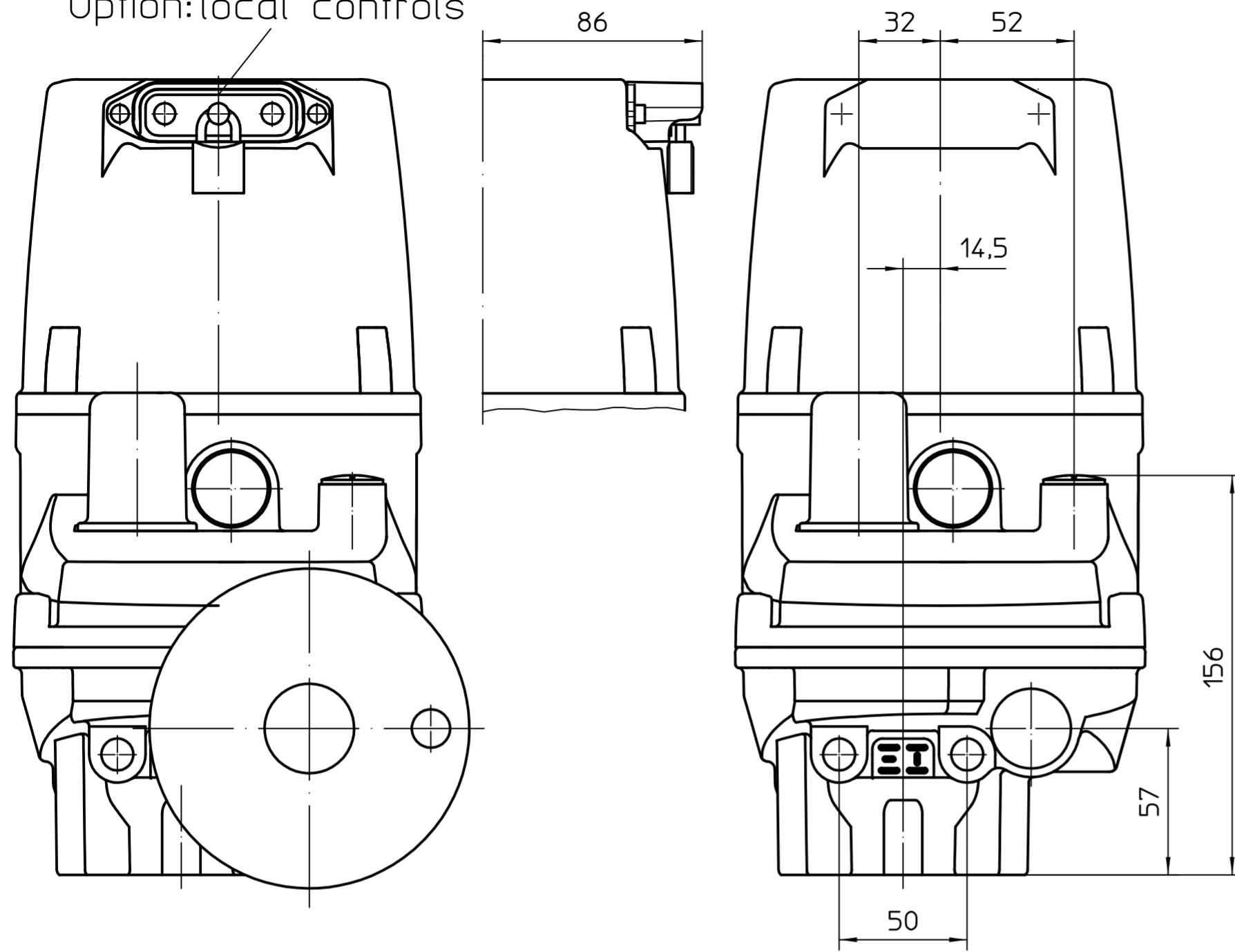
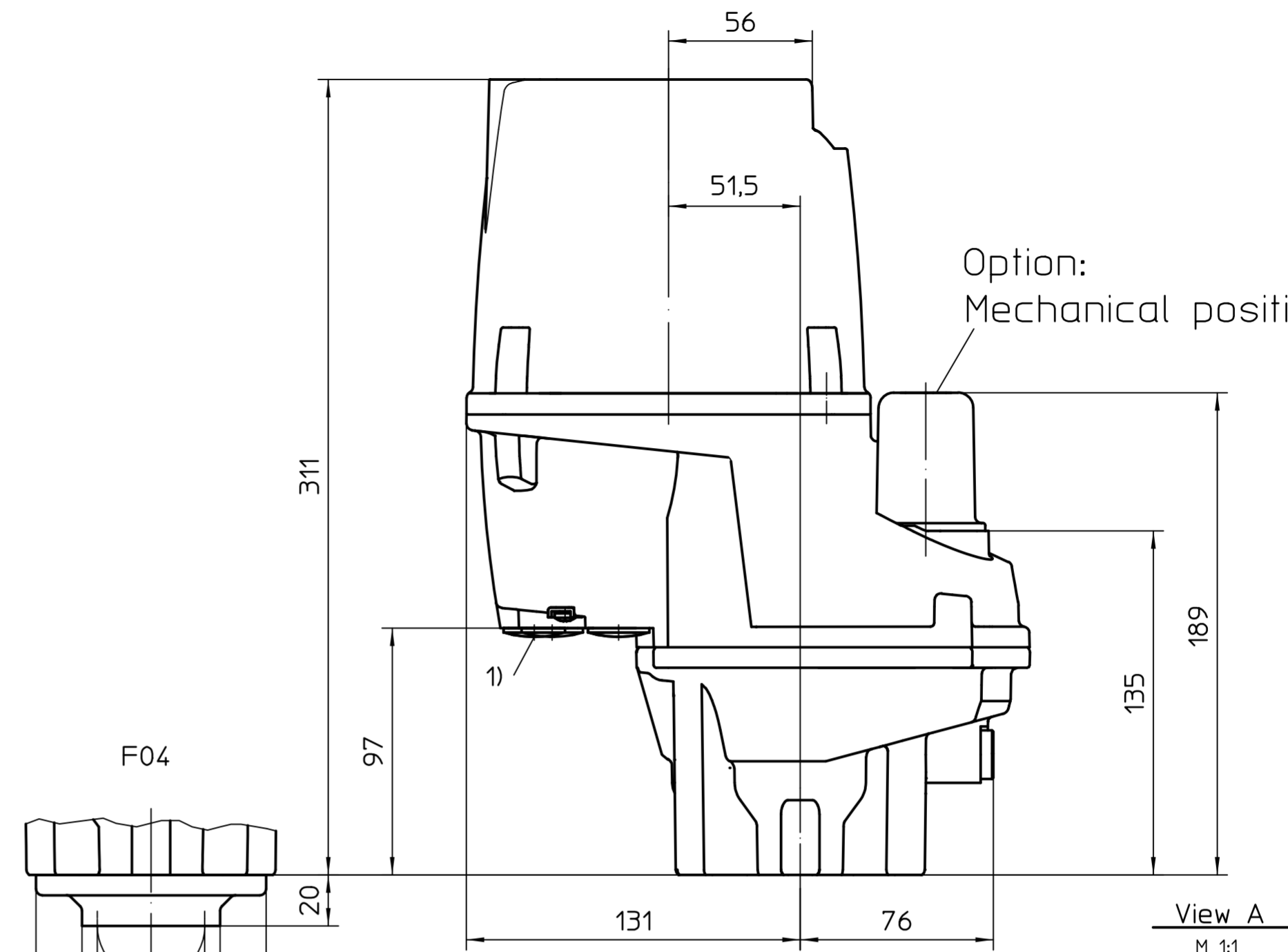


Option: Handwheel  
Option: local controls

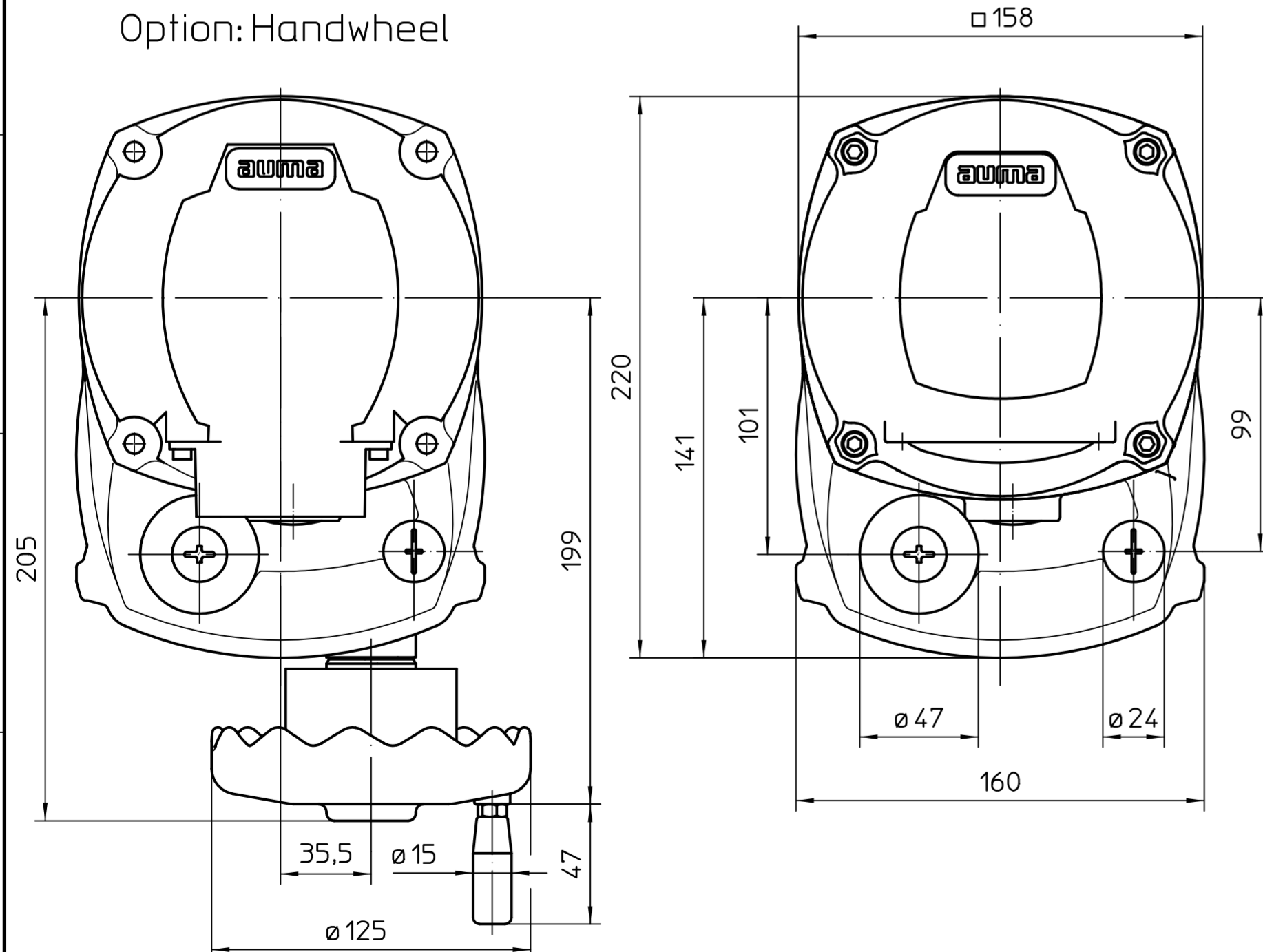


Option:  
Mechanical position indicator



View A  
M 1:1

Option: Handwheel



1) Thread for cable entries acc. to order acknowledgement or technical data sheet

State		Revision		Date		Name		Scale		1:2		 AUMA Riester GmbH & Co. KG			
Date		Name		Date		Name		Date		Name					
Edited		2026-03-30		Goltsev								PF-M25/PF-M50-HR125-OSS			
Checked		2026-04-01		VeeraBrahma											
Ret.		2026-04-01		Goltsev											
AUMA Riester GmbH & Co. KG P.O. Box 1362 79373 Muellheim/Germany Tel. +49 7631 809-0 Fax +49 7631 13218												U2.8429		Page 1 Qty 1	
3ph and/or level V4															

This drawing is subject to the provisions on copyright protection.

All dimensions in mm  
For all other dimensions of actuators/gearboxes, refer to the latest dimension sheet issue