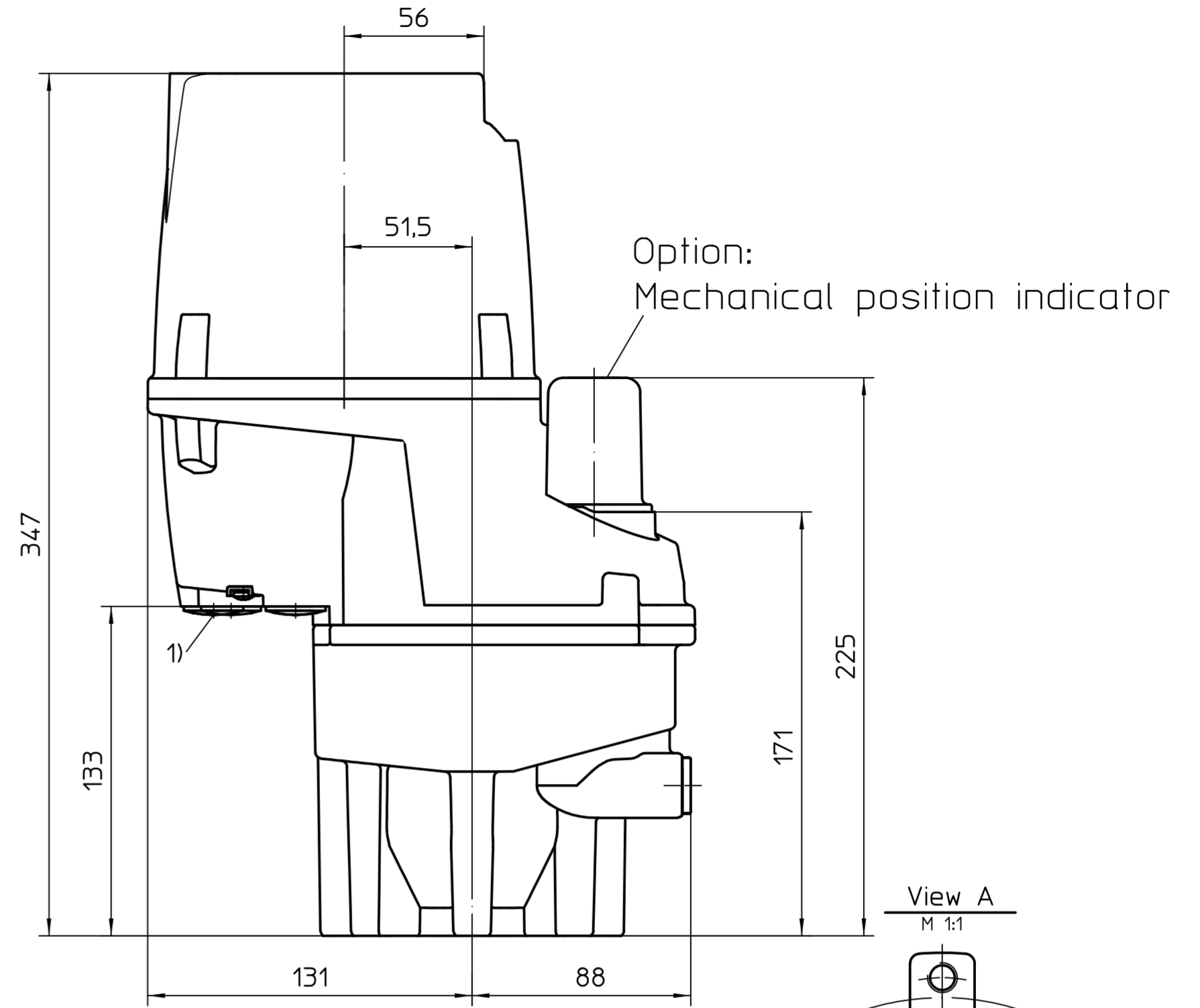
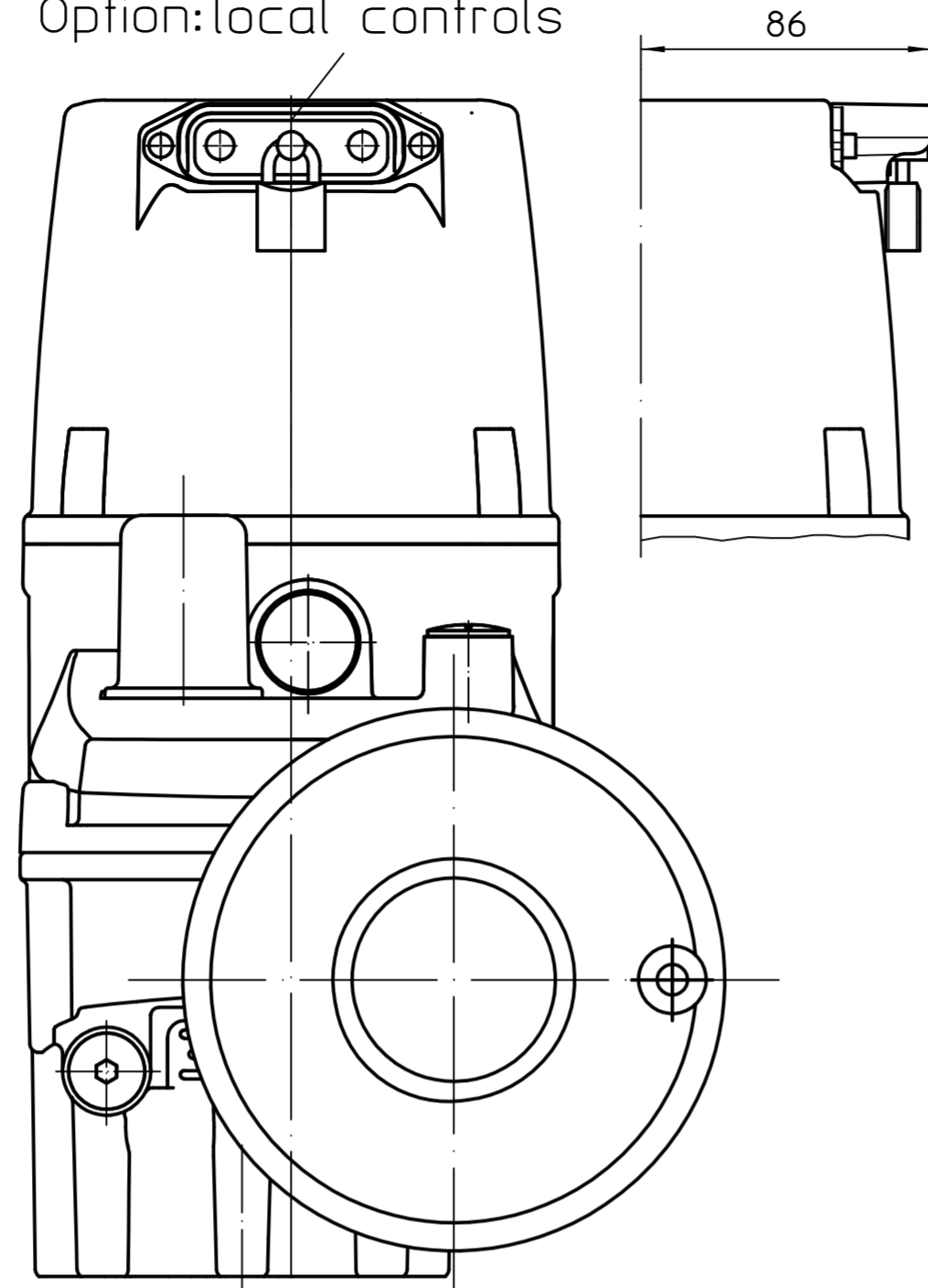
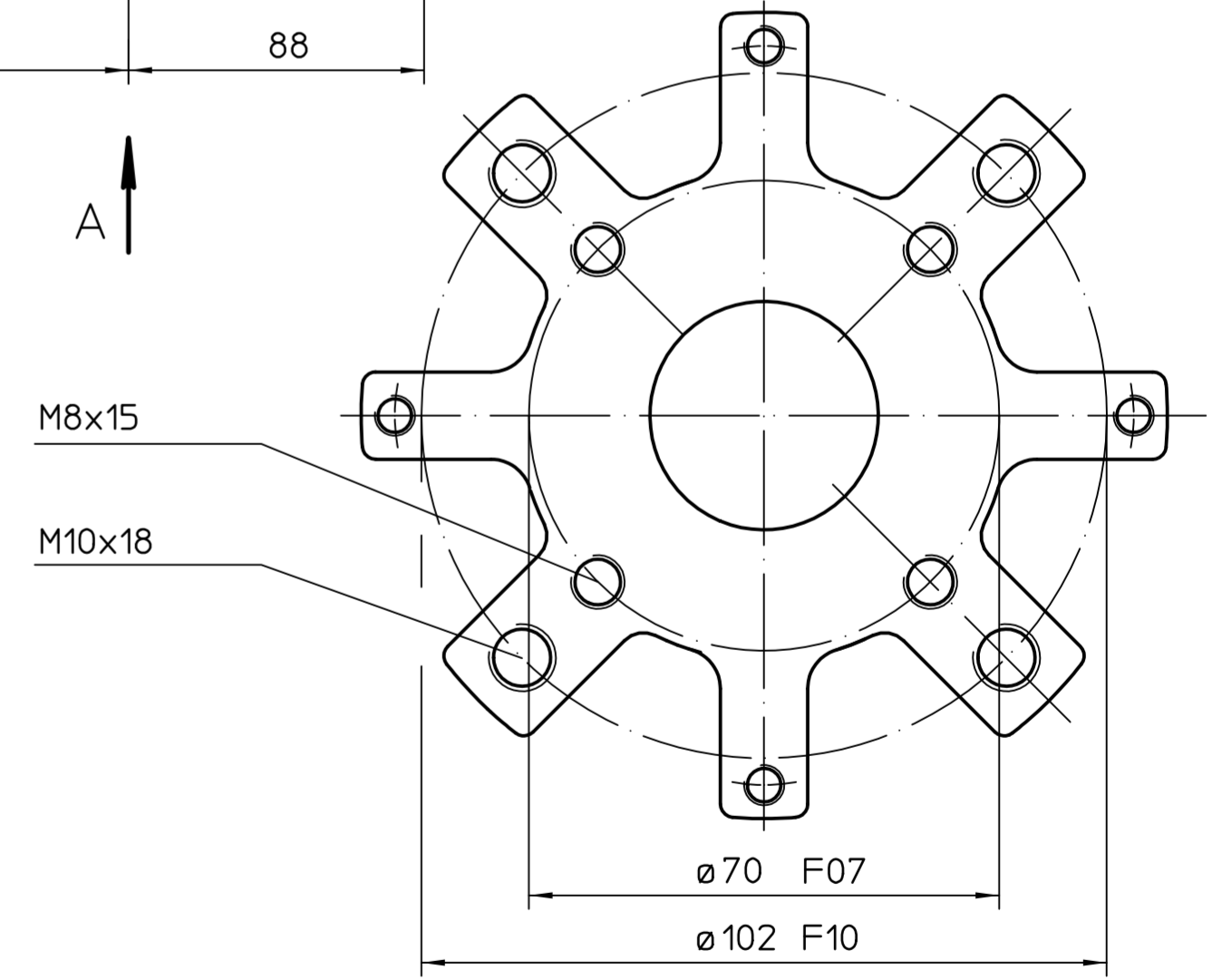
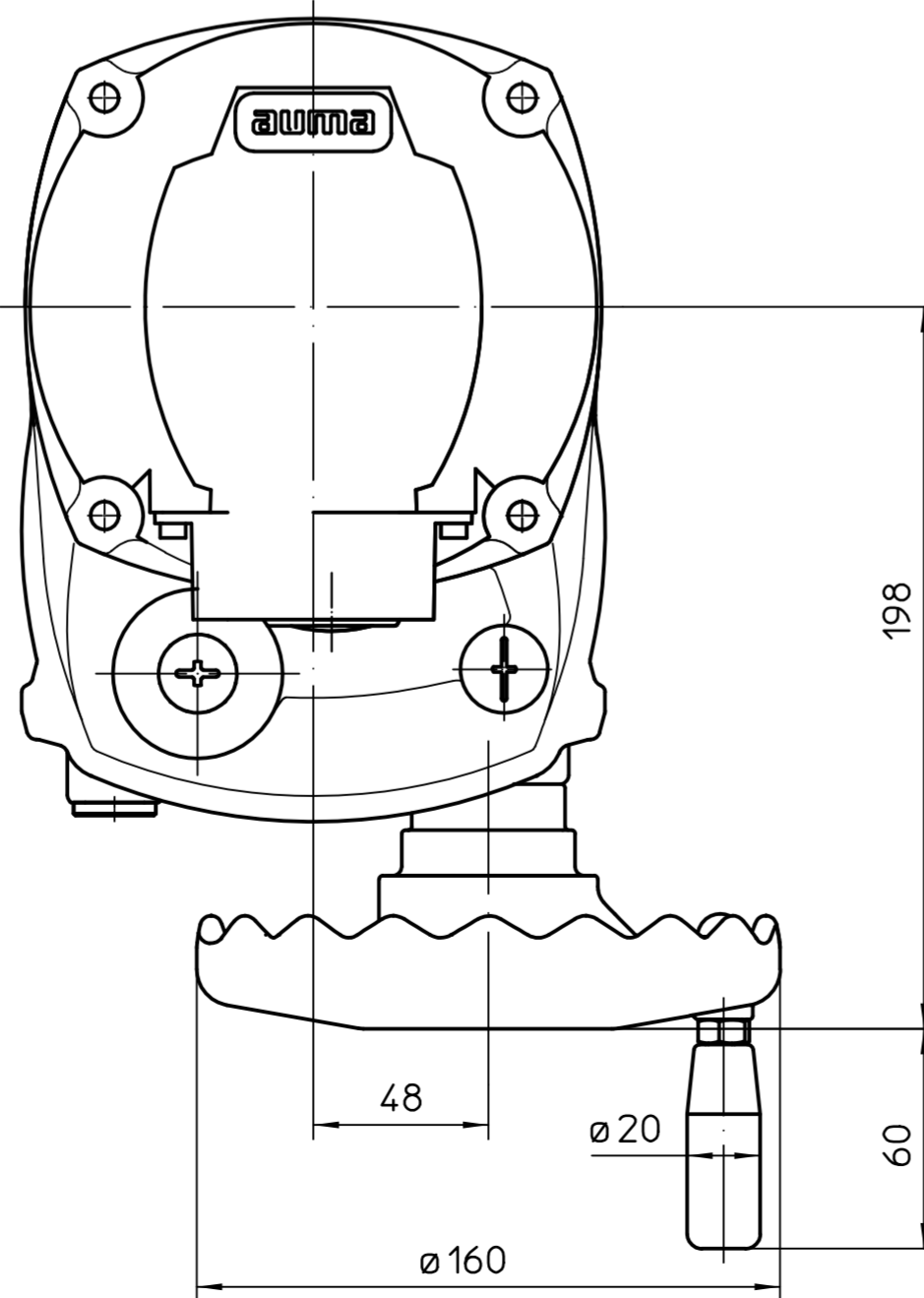
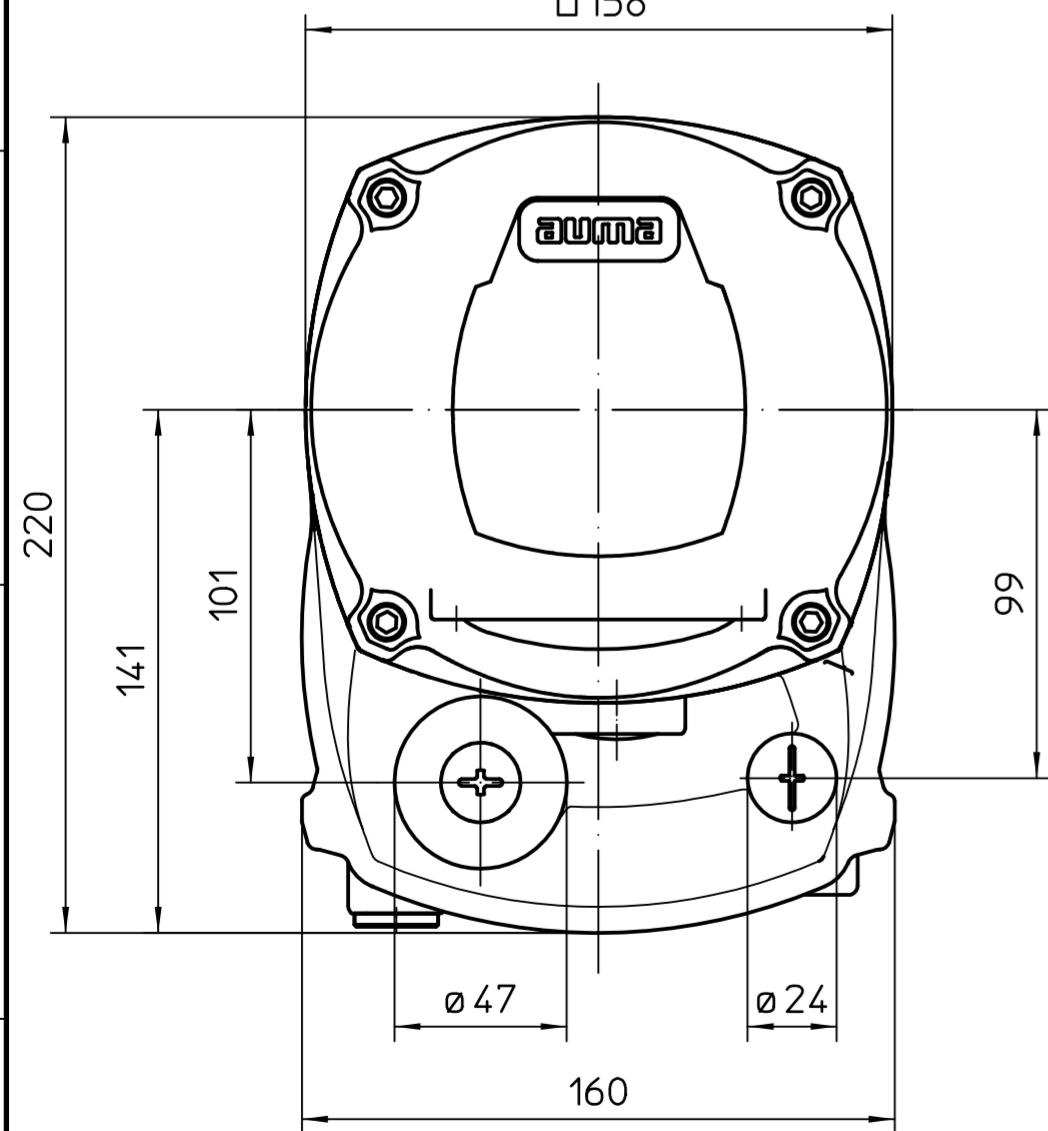


Option: Handwheel
Option: local controls



View A
M 1:1

Option: Handwheel



¹⁾ Thread for cable entries acc. to order acknowledgement or technical data sheet

All dimensions in mm
For all other dimensions of actuators/gearboxes, refer to the latest dimension sheet issue

State		Revision	Date	Name	Scale 1:2	 AUMA [®] AUMA Riester GmbH & Co. KG	PF-M100-OSS U2.8430	Page 1	
Edited		2026-03-30	Goltsev	Date	Name			AUMA Riester GmbH & Co. KG P.O. Box 1362 79373 Muellheim/Germany Tel. +49 7631 809-0 Fax +49 7631 13218	Qty 1
Checked		2026-04-01	VeeraBrahman	Ret.	2026-04-01				3ph and/or level V4
Ret.		2026-04-01	Goltsev						