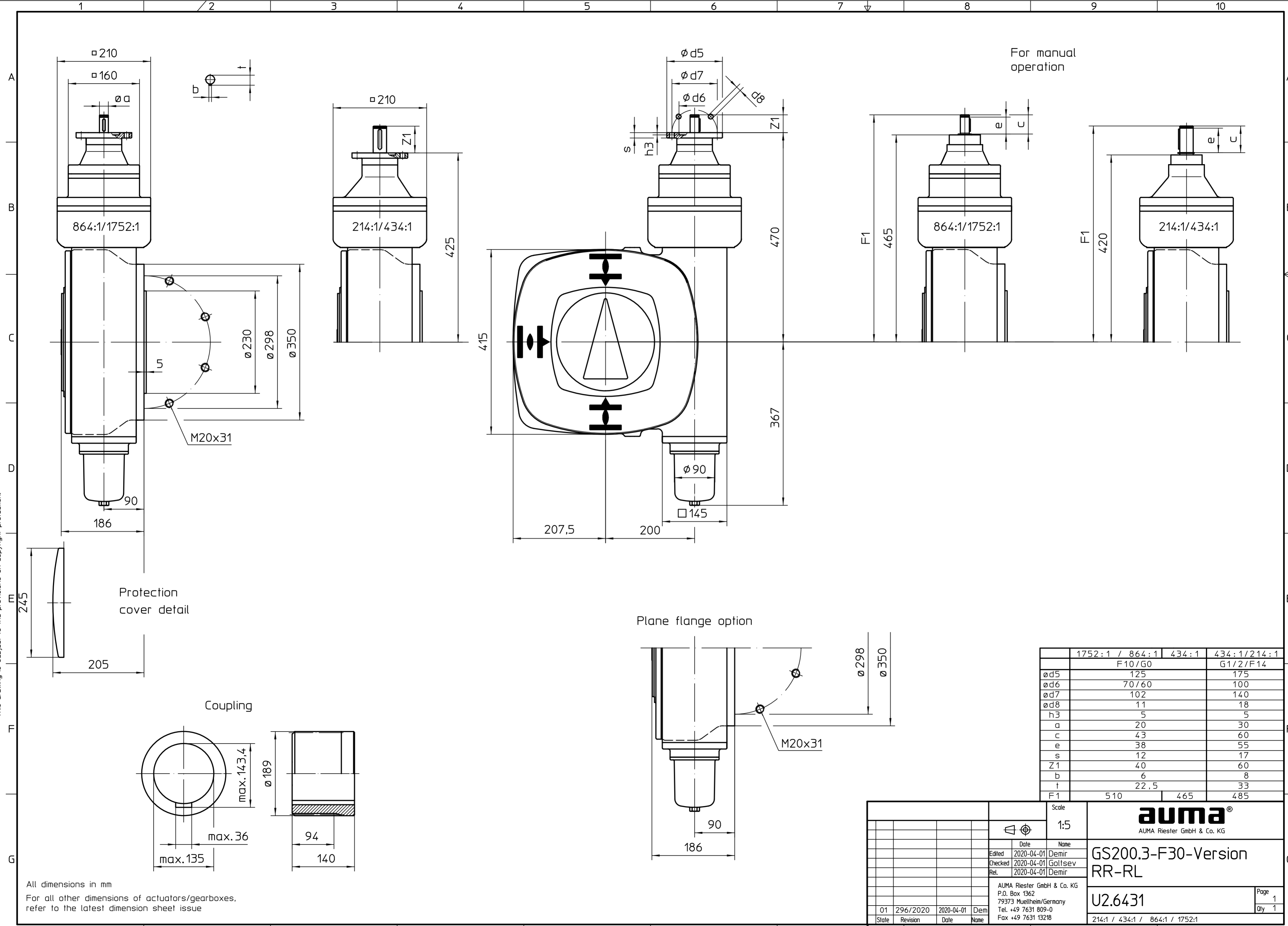


This drawing is subject to the provisions on copyright protection.



For manual operation

| | 1752:1 / 864:1 | 434:1 | 434:1/214:1 |
|-----------|----------------|-------|-------------|
| | F10/G0 | | G1/2/F14 |
| $\phi d5$ | 125 | | 175 |
| $\phi d6$ | 70/60 | | 100 |
| $\phi d7$ | 102 | | 140 |
| $\phi d8$ | 11 | | 18 |
| $h3$ | 5 | | 5 |
| a | 20 | | 30 |
| c | 43 | | 60 |
| e | 38 | | 55 |
| s | 12 | | 17 |
| $Z1$ | 40 | | 60 |
| b | 6 | | 8 |
| t | 22,5 | | 33 |
| F1 | 510 | 465 | 485 |

All dimensions in mm
For all other dimensions of actuators/gearboxes, refer to the latest dimension sheet issue

| | | | | | | | |
|--------------------------------|--|--|--|---------------------|--|--------------------------------|--|
| Scale | | | | 1:5 | | AUMA Riester GmbH & Co. KG | |
| Date | | | | Name | | | |
| Edited | | | | 2020-04-01 | | Demir | |
| Checked | | | | 2020-04-01 | | Goltsev | |
| Rel. | | | | 2020-04-01 | | Demir | |
| AUMA Riester GmbH & Co. KG | | | | P.O. Box 1362 | | | |
| 79373 Muelheim/Germany | | | | Tel. +49 7631 809-0 | | | |
| Fax +49 7631 13218 | | | | Page 1 | | | |
| U2.6431 | | | | Qty 1 | | | |
| 214:1 / 434:1 / 864:1 / 1752:1 | | | | | | | |