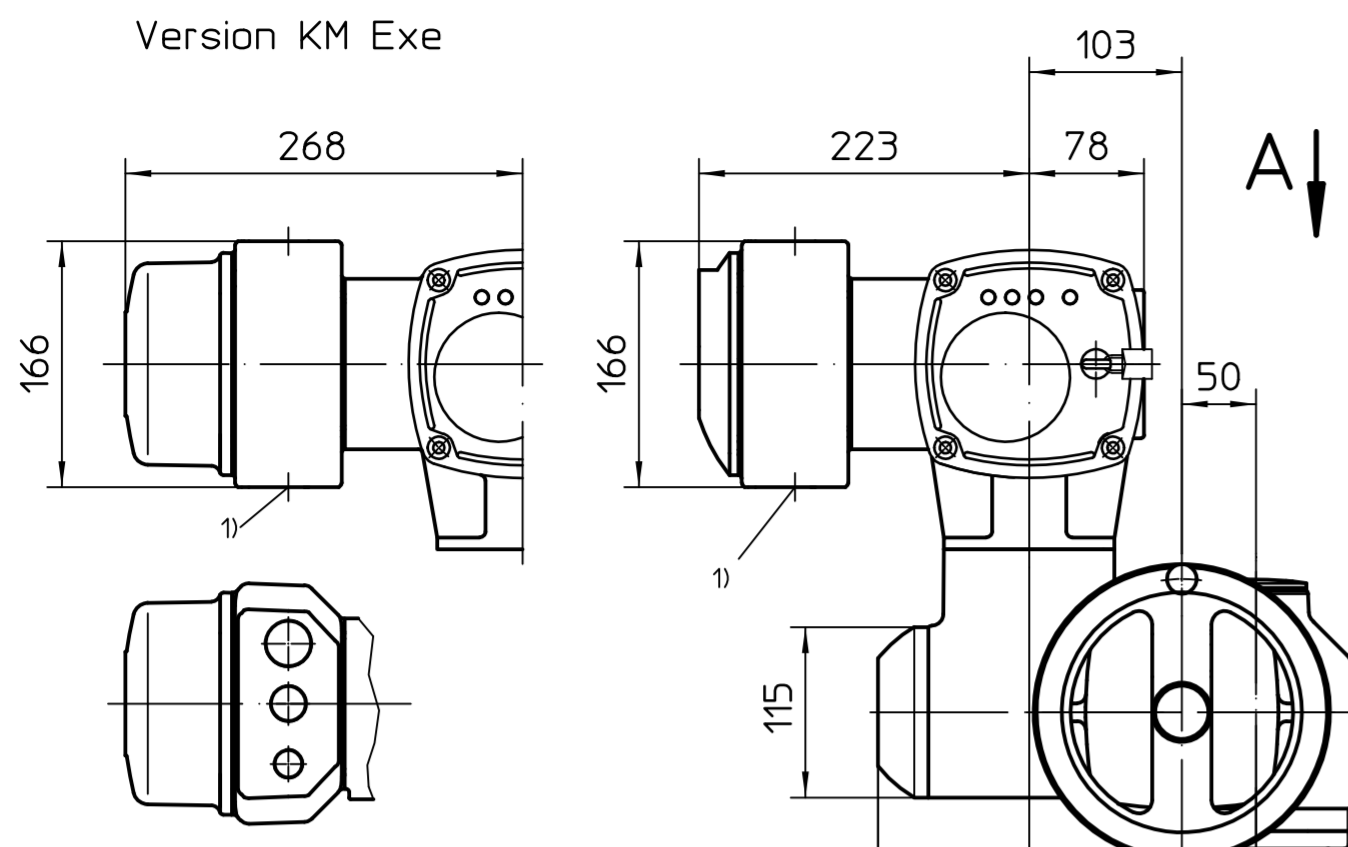


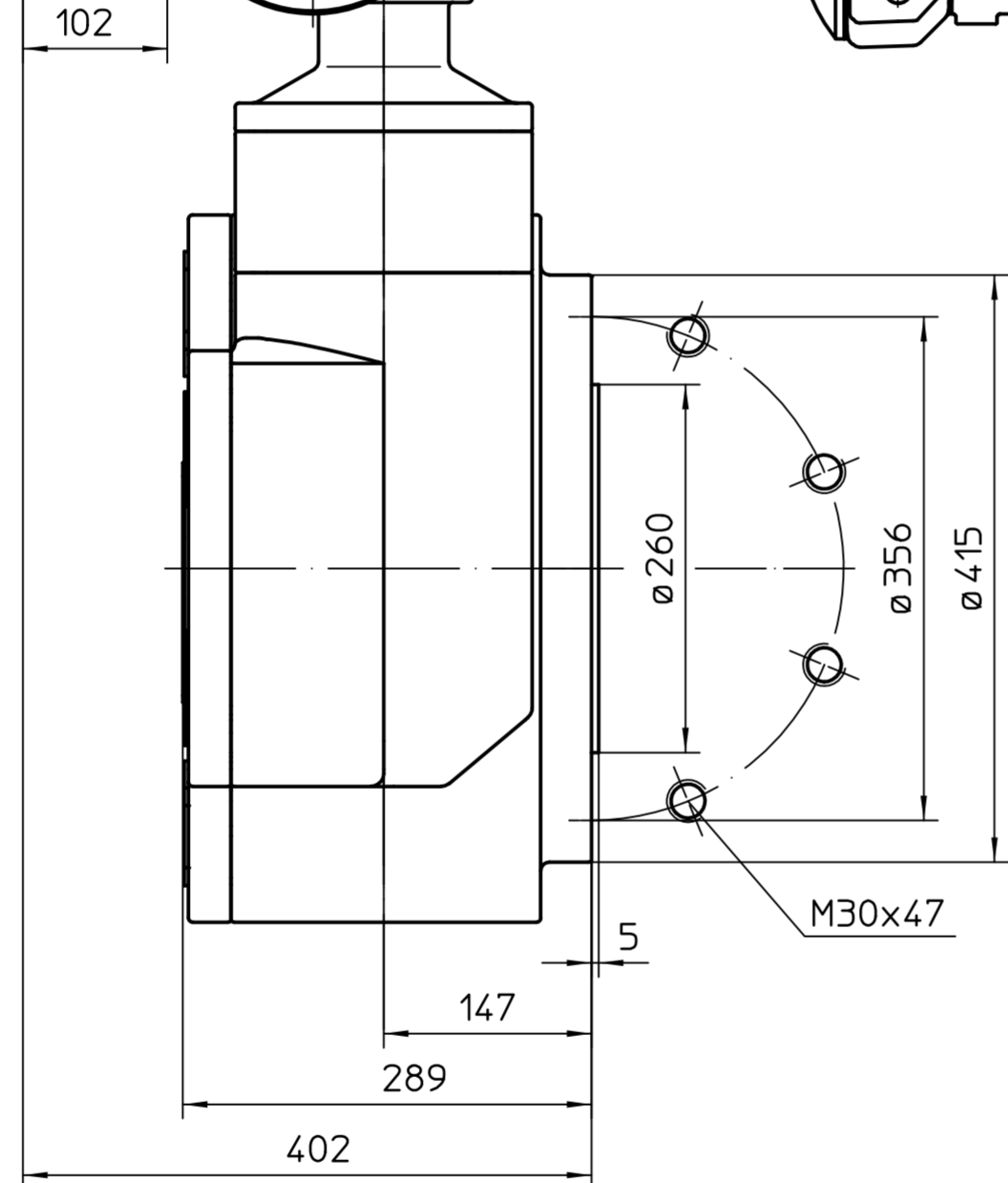
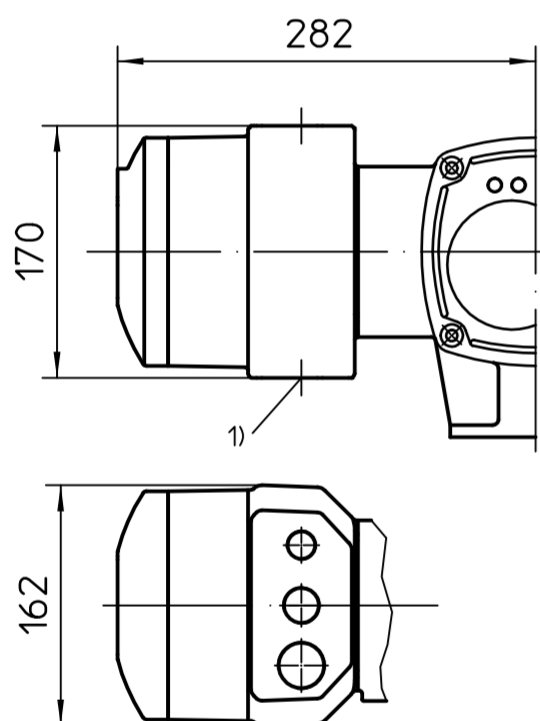
Standard version KT Exe

View A

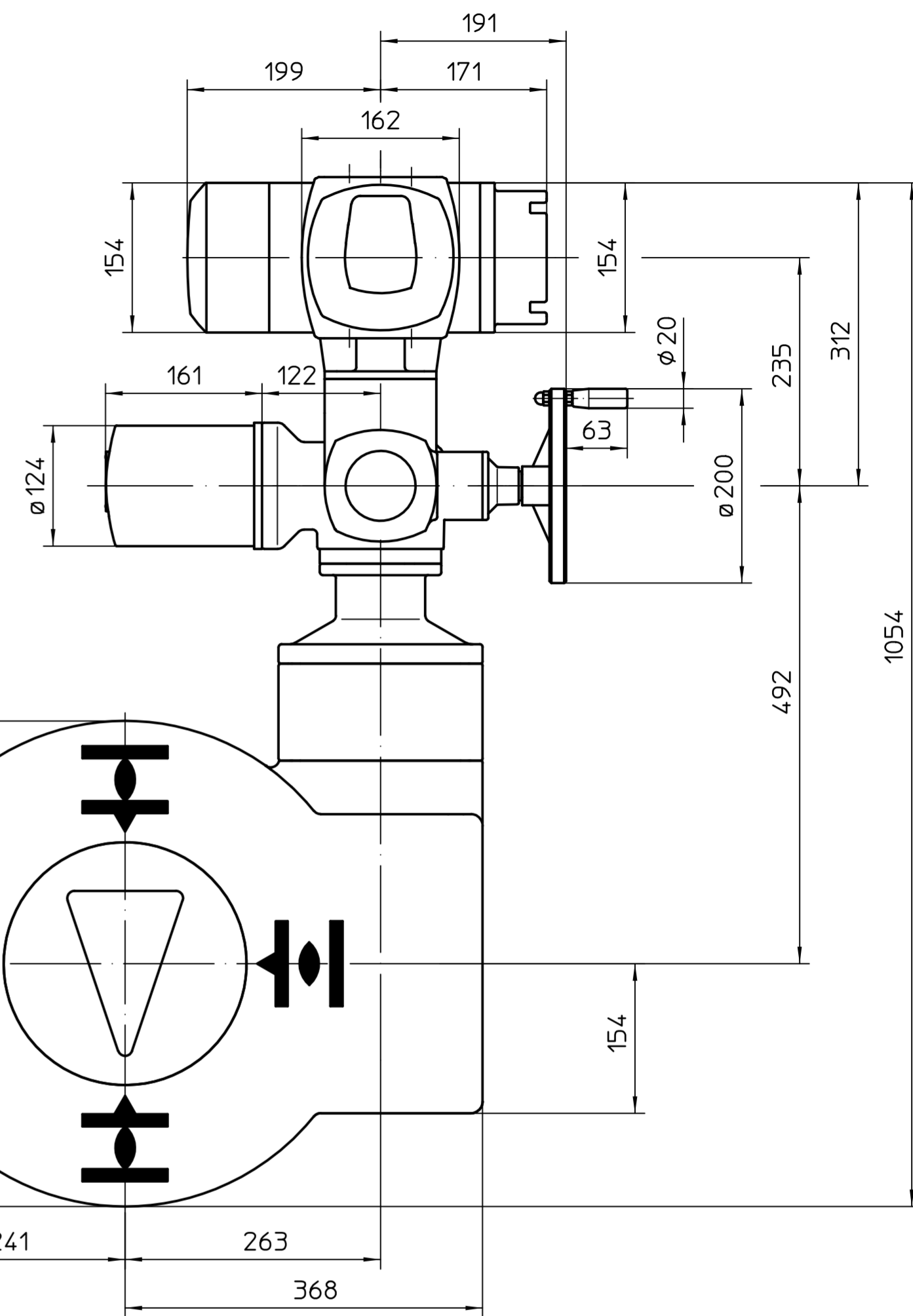
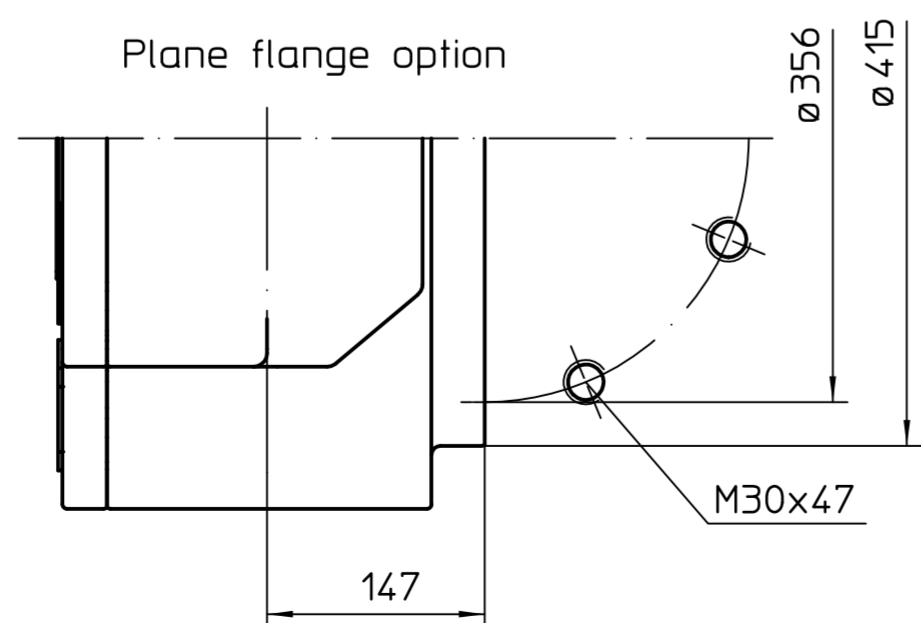
Version KM Exe



Version KT Exd
Version KM Exd



Plane flange option



This drawing is subject to the provisions on copyright protection.

All dimensions in mm

For all other dimensions of actuators/gearboxes, refer to the latest dimension sheet issue

¹⁾ Thread for cable entries acc. to order acknowledgement or technical data sheet

Mounting position A

State		Revision		Date		Name		Scale		 AUMA Riester GmbH & Co. KG	
								1:5		SA(R)Ex10.2-AC2 -GQB250.1-F35-RR-RL	
								Edited 2017-10-26 Goltsev Checked 2017-11-07 Duffner Ret. 2017-11-07 Goltsev		U2.5489	
								AUMA Riester GmbH & Co. KG P.O. Box 1362 79373 Muellheim/Germany Tel. +49 7631 809-0 Fax +49 7631 13218		Page 1 Qty 1	
								1751:1 - KT / KM			