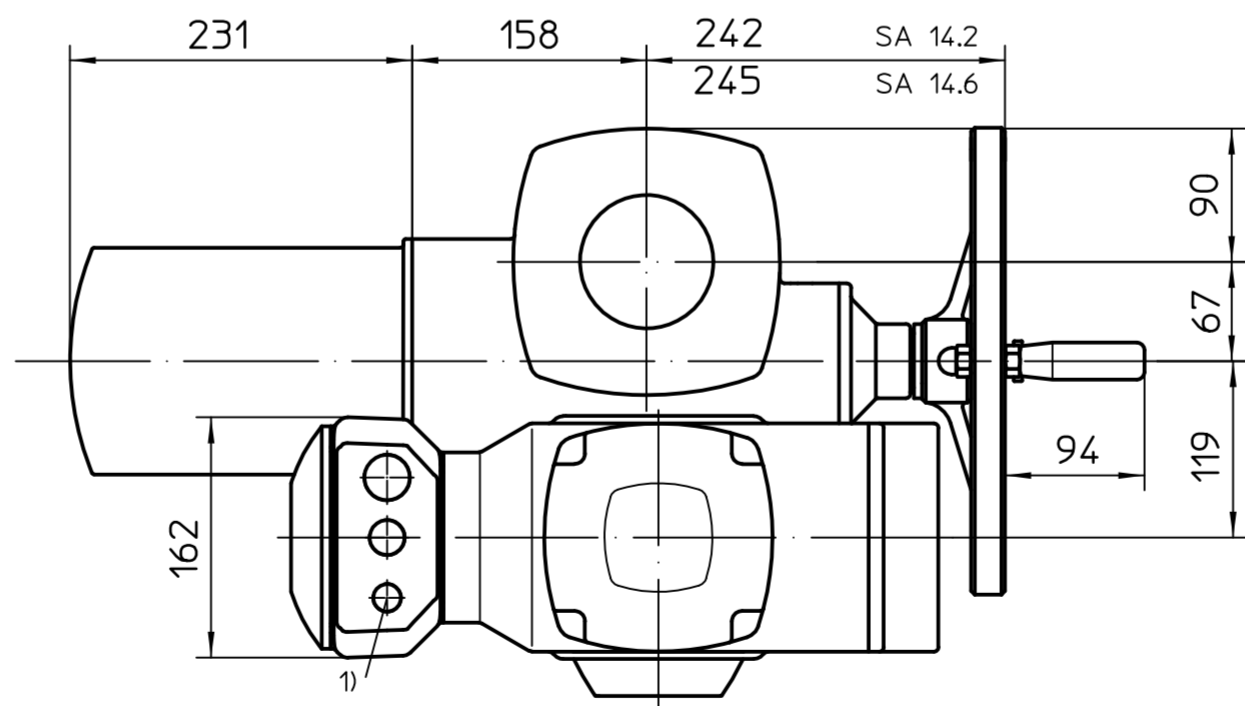
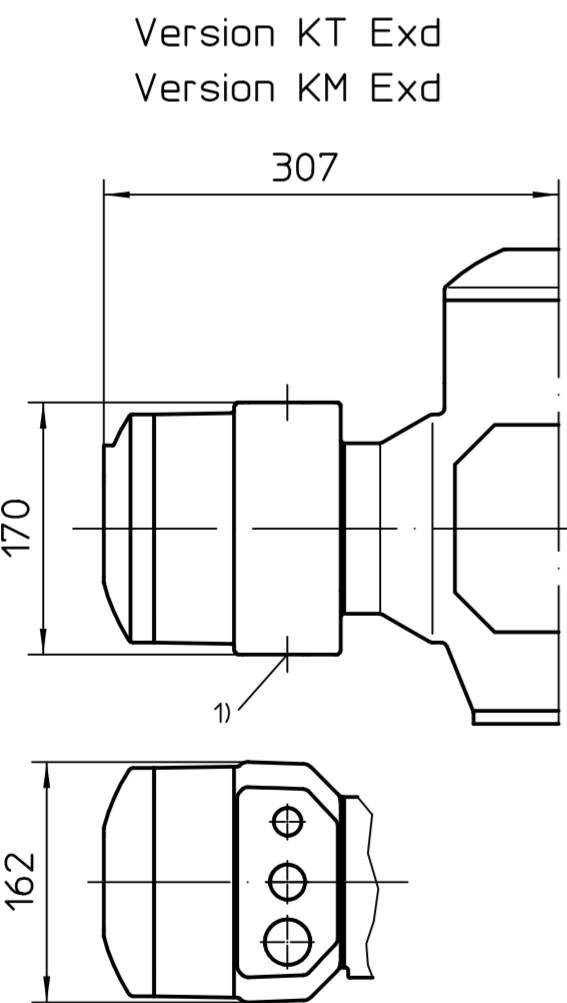
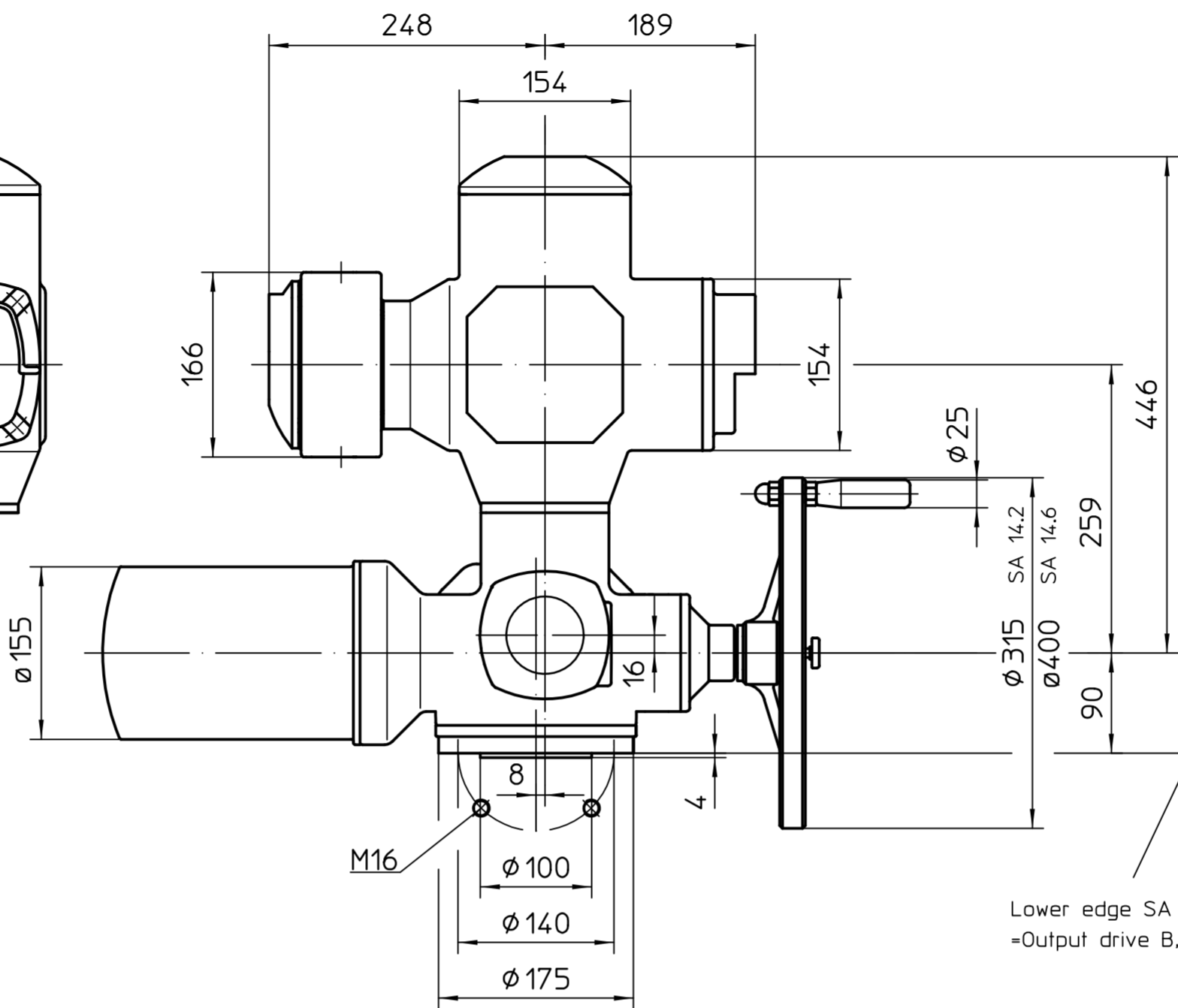
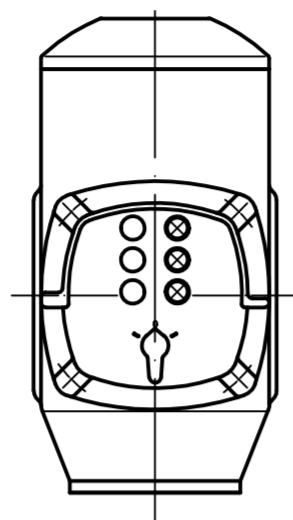
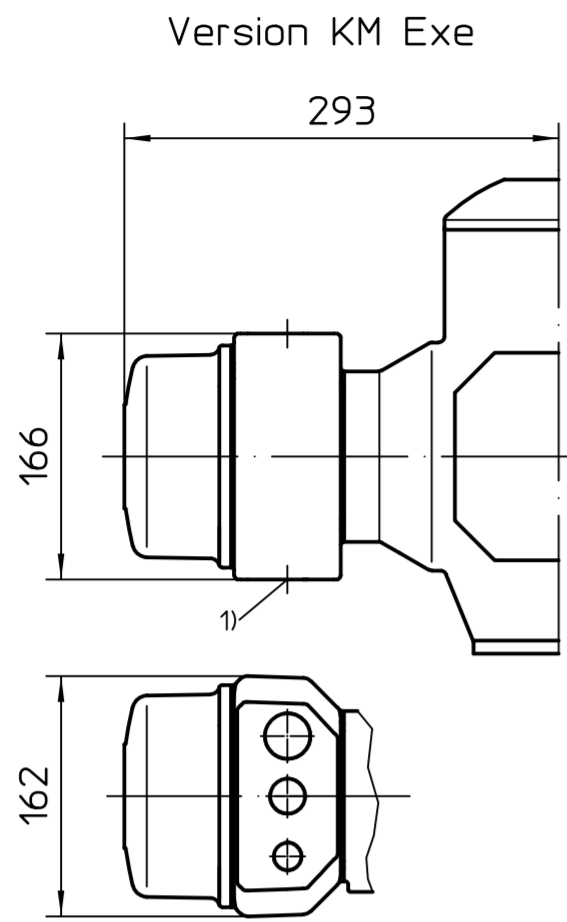


Standard version KT Exe



\*also valid for: SAEx14.6

1) Thread for cable entries acc. to order acknowledgement or technical data sheet

All dimensions in mm

For all other dimensions of actuators/gearboxes, refer to the latest dimension sheet issue

				Scale		 AUMA Riester GmbH & Co. KG					
				1:5							
				Date	Name	SA(R)Ex14.2-AM					
				Edited	2019-03-29			Goltsev			
				Checked	2019-06-27			Mayer			
				Ret.	2019-08-08	Goltsev	U2.5838 <table border="1" style="float: right;"> <tr> <td>Page</td> <td>1</td> </tr> <tr> <td>Qty</td> <td>1</td> </tr> </table>	Page	1	Qty	1
Page	1										
Qty	1										
				AUMA Riester GmbH & Co. KG P.O. Box 1362 79373 Muellheim/Germany Tel. +49 7631 809-0 Fax +49 7631 13218		* - SAEx14.6 - KT / KM					
01	032/2019	2019-03-29	Gol								
State	Revision	Date	Name								