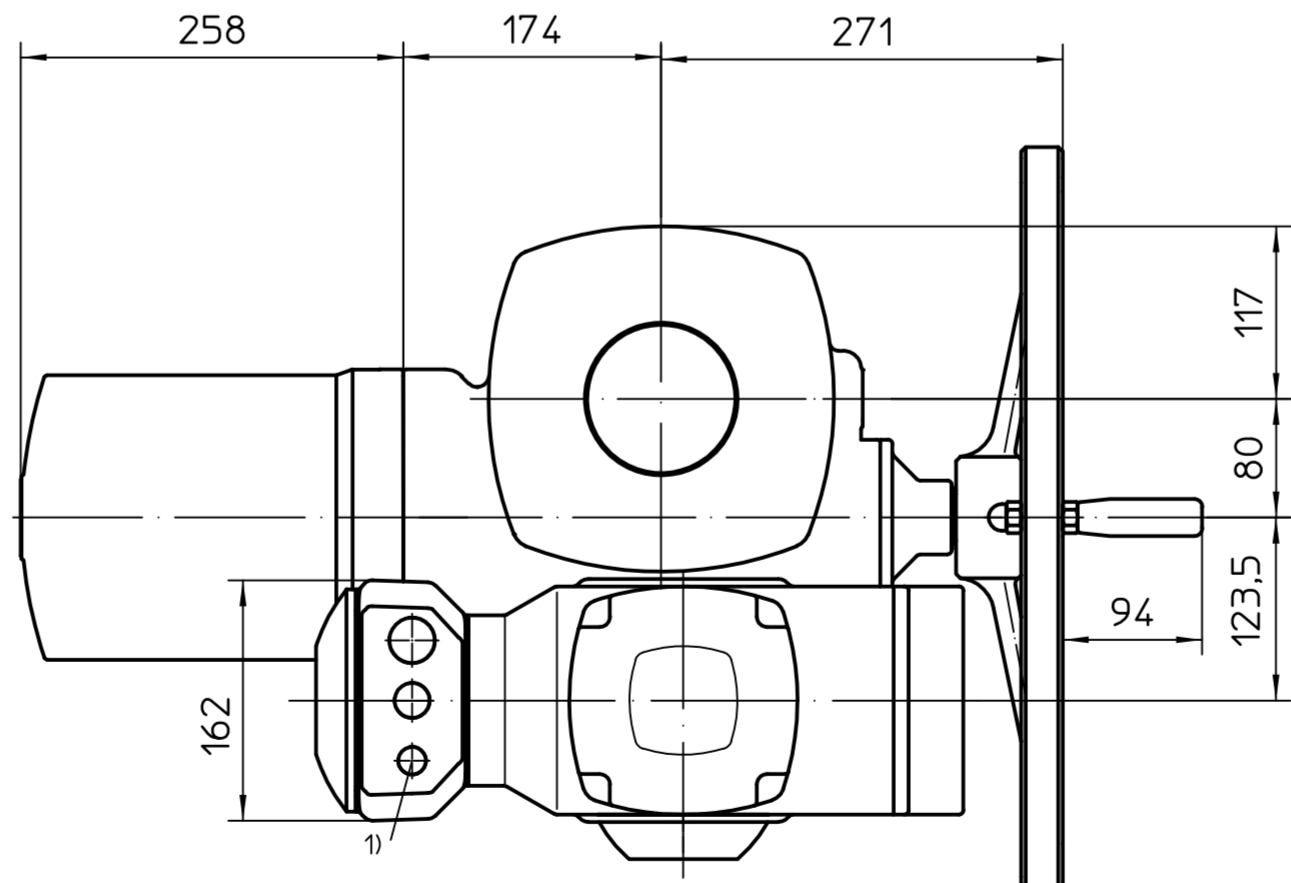
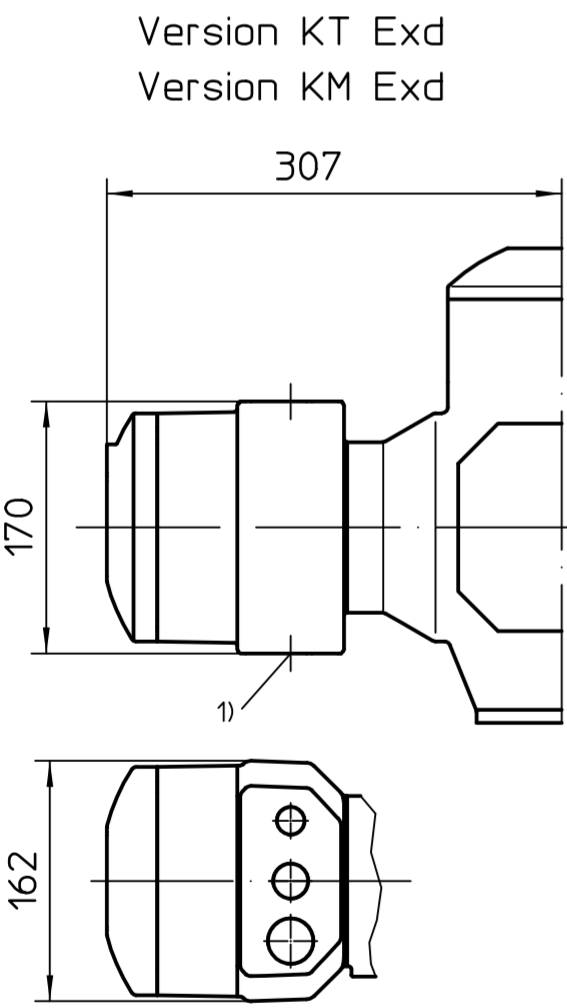
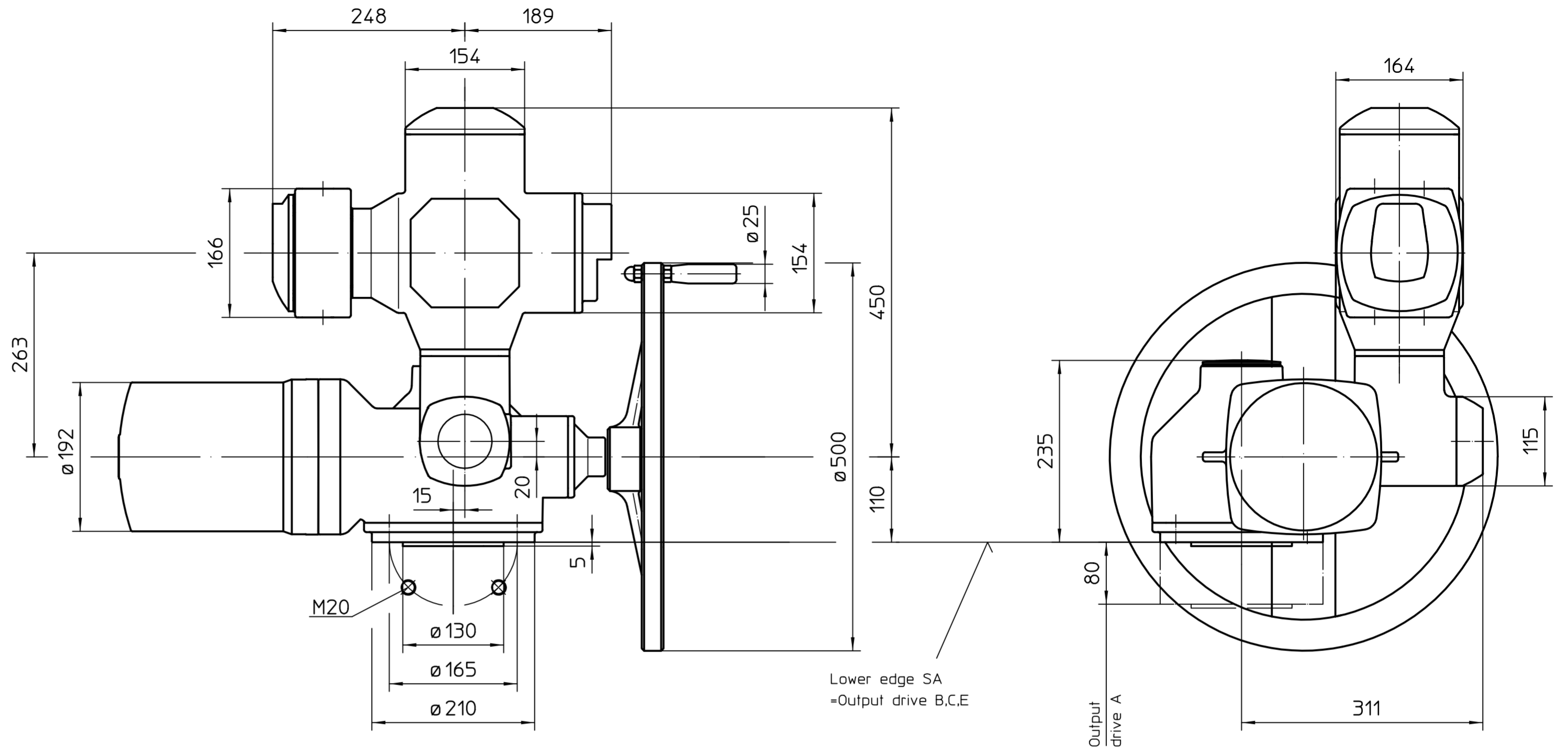
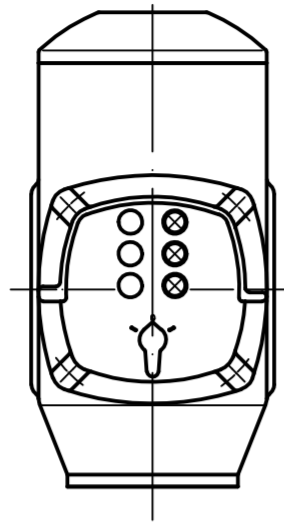
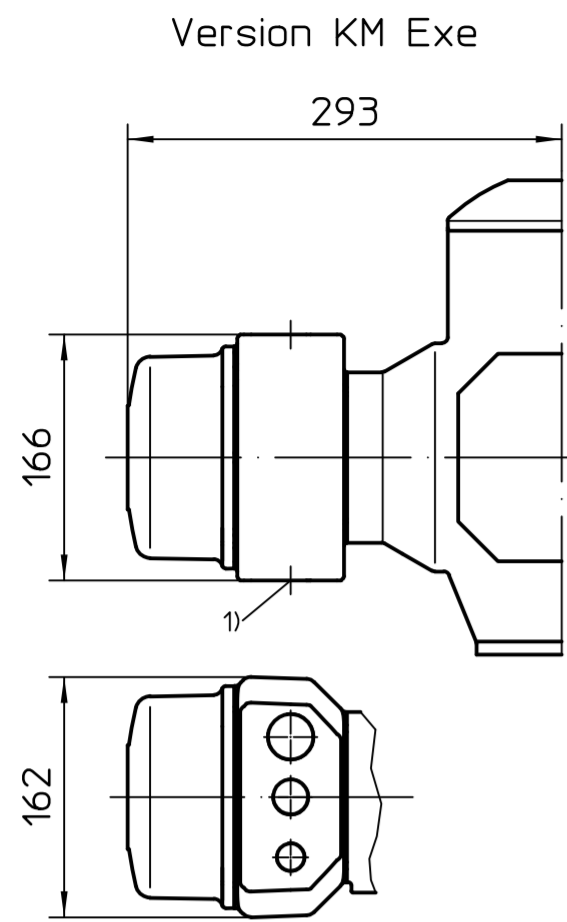


Standard version KT Exe



1) Thread for cable entries acc. to order acknowledgement or technical data sheet

This drawing is subject to the provisions on copyright protection.

All dimensions in mm  
For all other dimensions of actuators/gearboxes, refer to the latest dimension sheet issue

				Scale 1:5		 AUMA Riester GmbH & Co. KG	
				Edited 2019-03-29 Goltsev Checked 2019-06-27 Mayer Ret. 2019-08-26 Goltsev			
				AUMA Riester GmbH & Co. KG P.O. Box 1362 79373 Muellheim/Germany Tel. +49 7631 809-0 Fax +49 7631 13218		SA(R)Ex16.2-AM U2.5882	
01	032/2019	2019-03-29	Gal			Page 1	Qty 1
State	Revision	Date	Name			KT / KM	