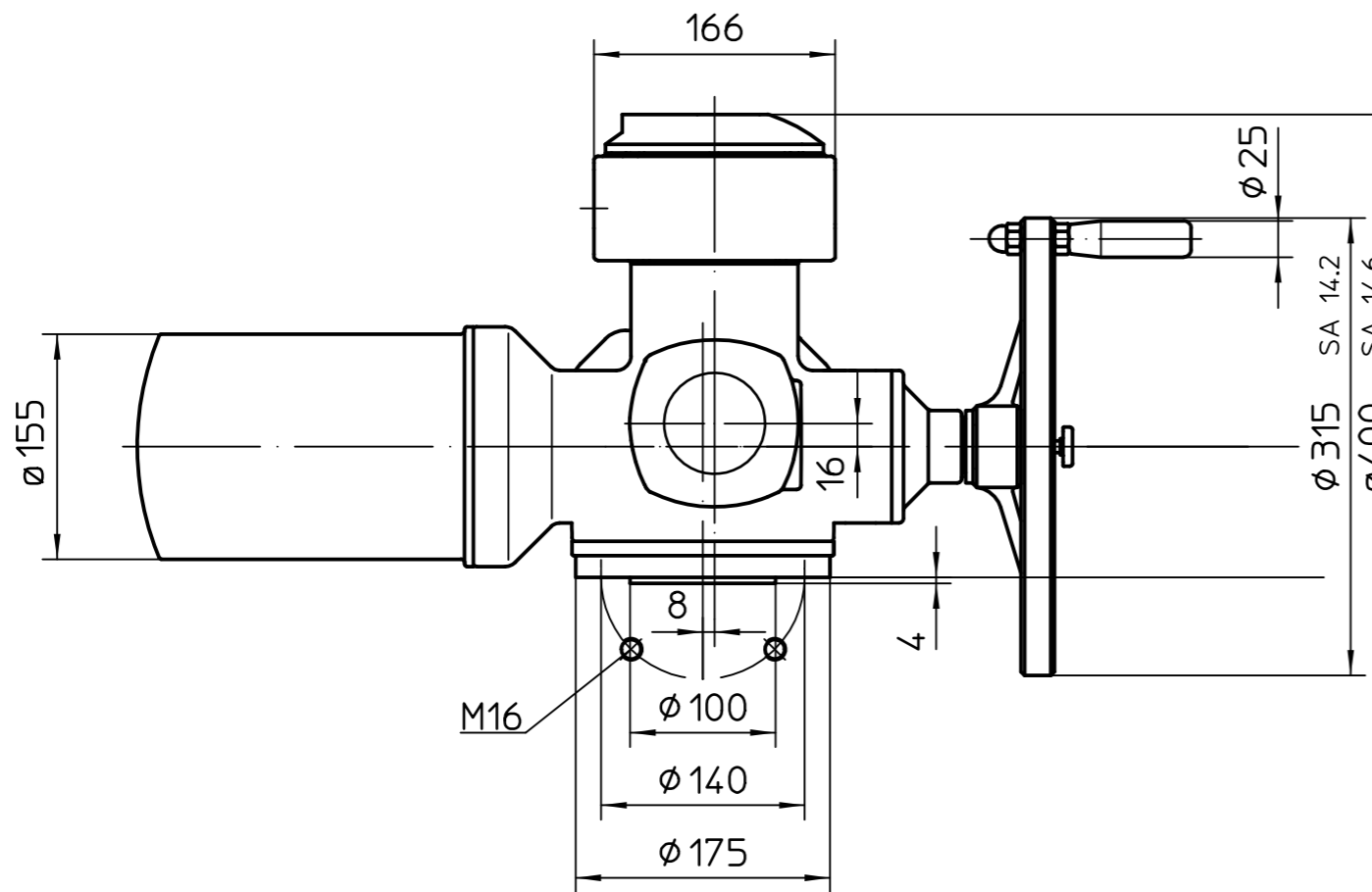
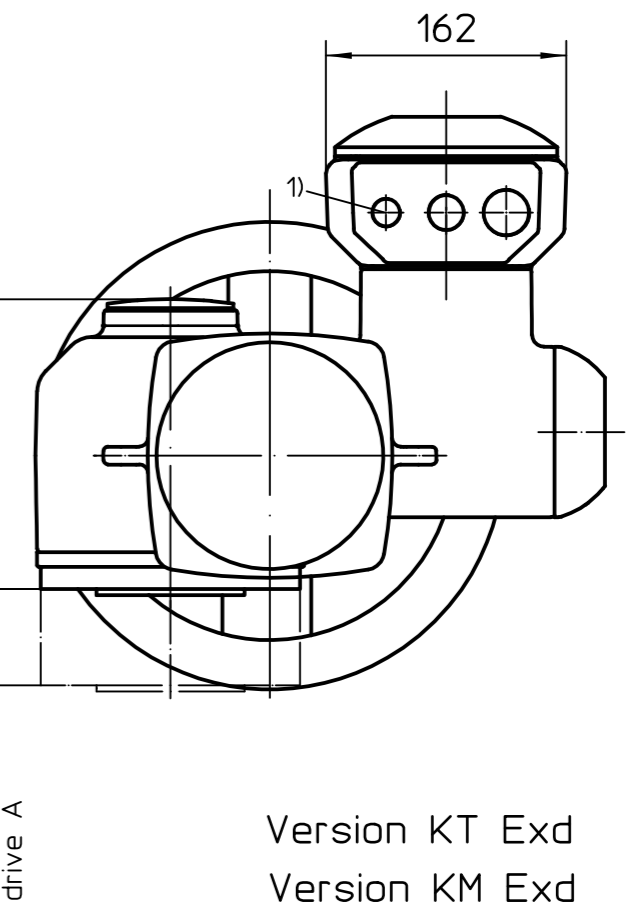


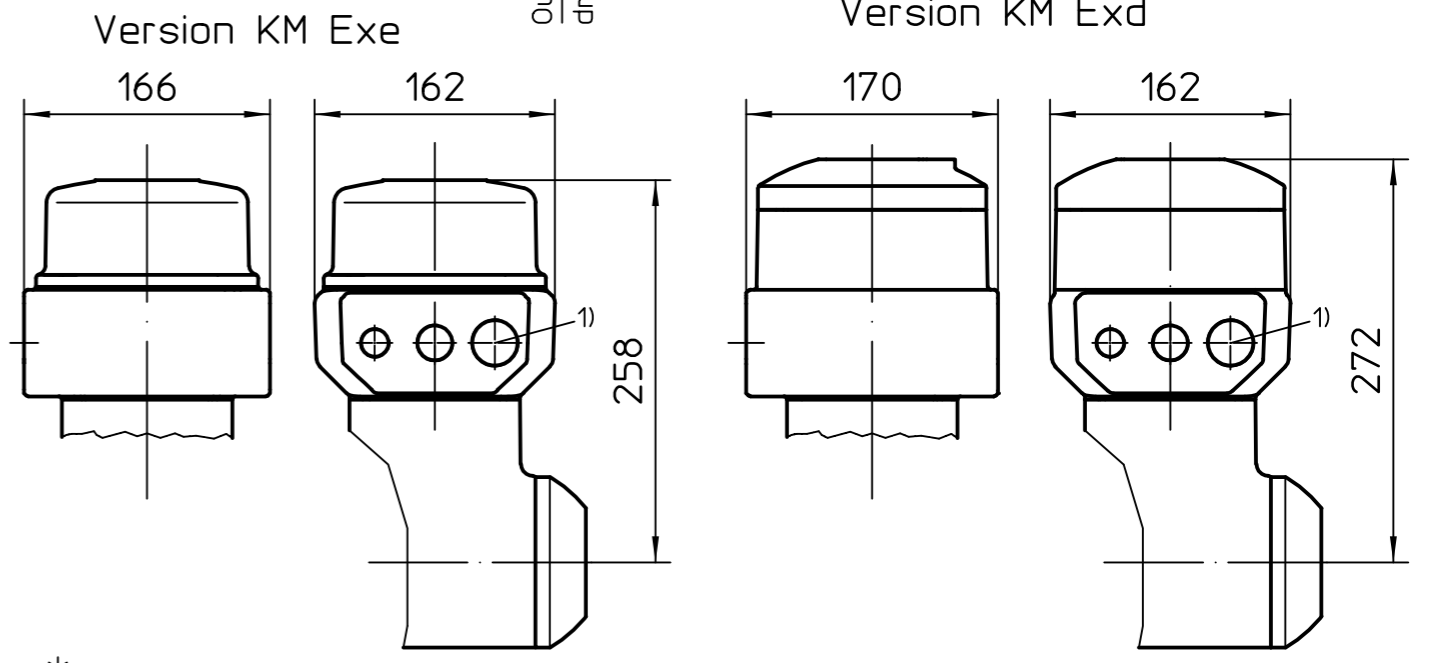
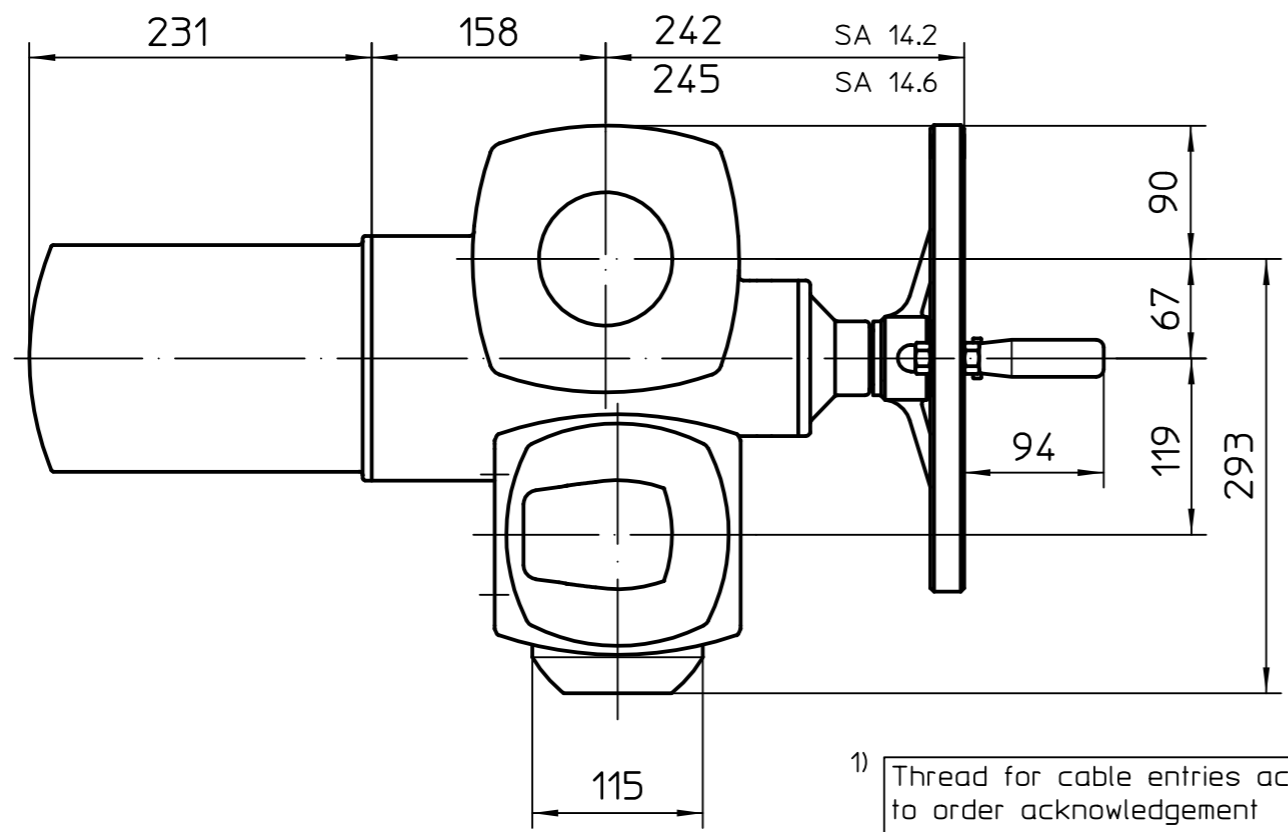
Standard version KT Exe



Lower edge SA  
=Output drive B,C,E



Version KT Exd  
Version KM Exd



\* also valid for: SAEx14.6

1) Thread for cable entries acc. to order acknowledgement or technical data sheet

All dimensions in mm  
For all other dimensions of actuators/gearboxes, refer to the latest dimension sheet issue

|   |          |                            |      |                        |
|---|----------|----------------------------|------|------------------------|
| Scale   |          | <b>auma</b> <sup>®</sup>   |      |                        |
| 1:5   |          | AUMA Riester GmbH & Co. KG |      |                        |
| Date  | Name     | SA(R)Ex14.2                |      |                        |
| Edited 2018-08-14   | Goltsev  |                            |      |                        |
| Checked 2018-08-14  | Mayer    |                            |      |                        |
| Rel. 2018-08-14   | Goltsev  | U3.5790                    |      |                        |
| AUMA Riester GmbH & Co. KG<br>P.O. Box 1362<br>79373 Muellheim/Germany<br>Tel. +49 7631 809-0<br>Fax +49 7631 13218 |          |                            |      |                        |
| State   | Revision | Date                       | Name | Page 1                 |
|   |          |                            |      | Qty 1                  |
|   |          |                            |      | * - SAEx14.6 - KT / KM |

This drawing is subject to the provisions on copyright protection.